

JN0-681^{Q&As}

New Data Center, Professional

Pass Juniper JN0-681 Exam with 100% Guarantee

Free Download Real Questions & Answers **PDF** and **VCE** file from:

<https://www.leads4pass.com/jn0-681.html>

100% Passing Guarantee
100% Money Back Assurance

Following Questions and Answers are all new published by Juniper
Official Exam Center

- ⚙️ **Instant Download** After Purchase
- ⚙️ **100% Money Back** Guarantee
- ⚙️ **365 Days** Free Update
- ⚙️ **800,000+** Satisfied Customers



QUESTION 1

You are implementing perimeter security for your data center. You need to inspect all traffic at Layer 7 and ensure the failure of a port or device will not result in an interruption to traffic flows.

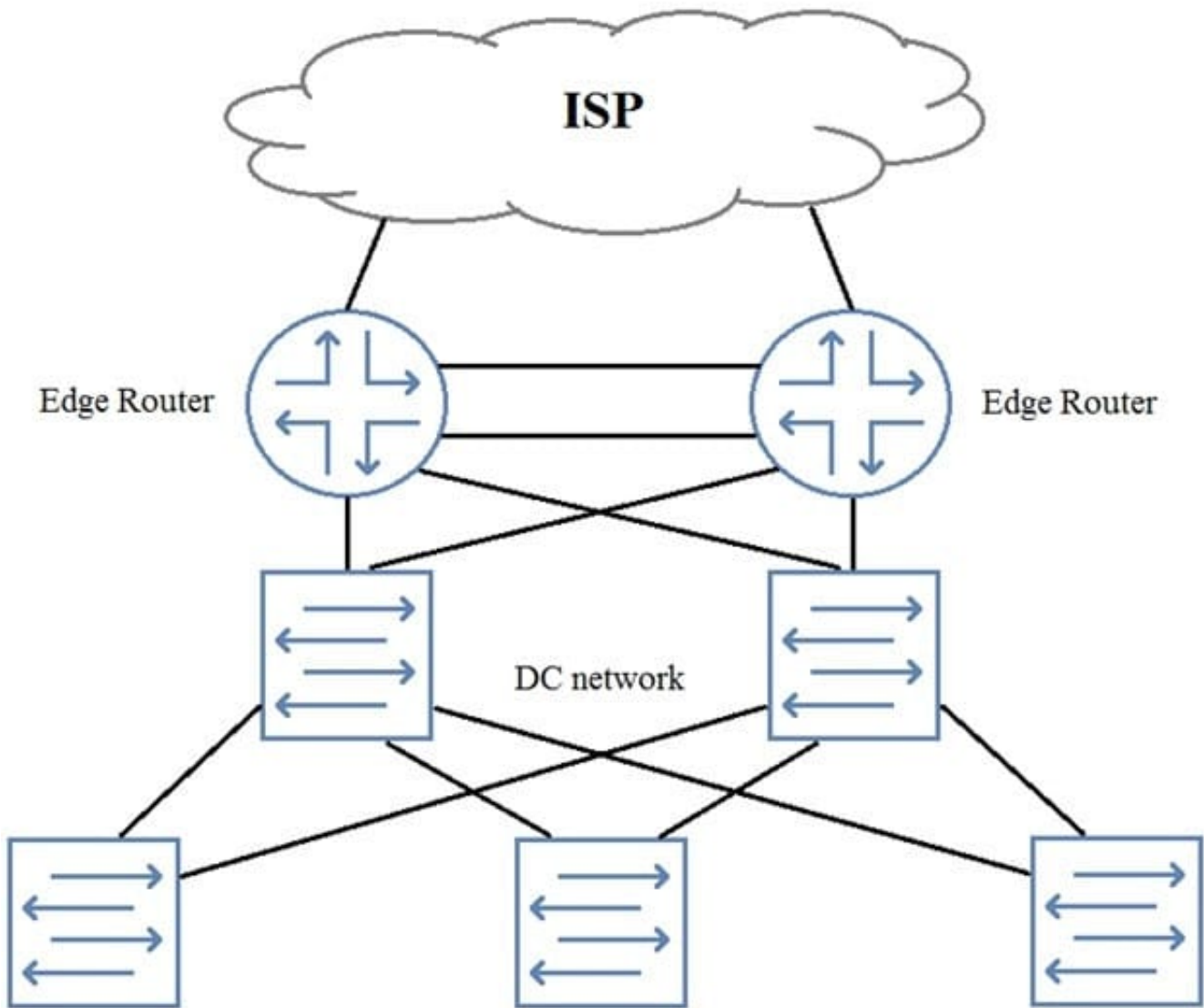
In this scenario, which design would satisfy these requirements?

- A. SRX using LAG
- B. MX with MC-LAG
- C. QFX Virtual Chassis
- D. SRX chassis cluster

Correct Answer: D

QUESTION 2

You need to add perimeter security to the network shown in the exhibit. All traffic must be inspected for attacks. The edge routers are using all available ports. Your solution must maintain both port and device resiliency.



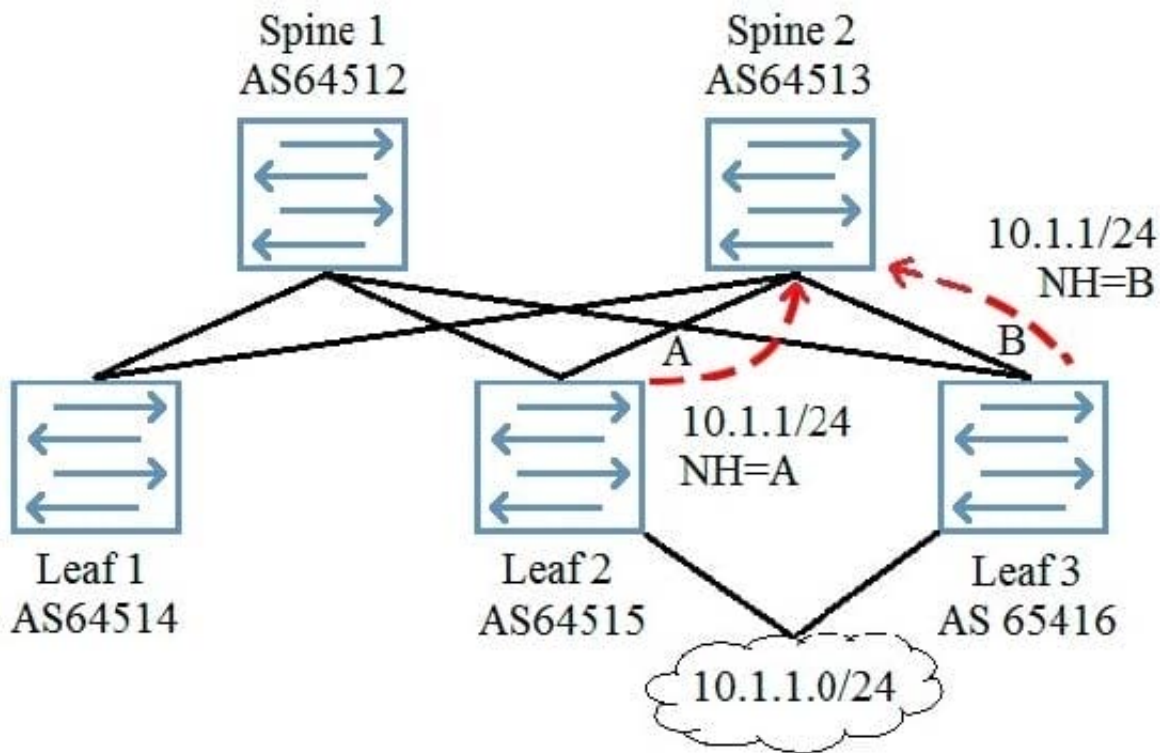
In this scenario, which design would satisfy these requirements?

- A. one-arm SRX Series device using LAG
- B. one-arm SRX Series chassis cluster
- C. inline SRX Series chassis cluster
- D. inline SPX Series device using LAG

Correct Answer: A

QUESTION 3

Referring to the exhibit, each node in the IP fabric is peering to its directly attached neighbor using EBGP. Each node is peering using physical interface IP addresses. Leaf 2 and Leaf 3 are advertising the 10.1.1/24 network into EBGP. Spine 2 must be configured so that it can load-share traffic destined to the 10.1.1/24 network over both next-hop A and next-hop B.



Which two actions must be performed to accomplish this task? (Choose two.)

- A. Use a load-balancing policy applied to the forwarding table.
- B. Use multipath multiple-AS.
- C. Use advertise-inactive.
- D. Use multihop.

Correct Answer: AB

QUESTION 4

You are designing a Layer 3 fabric underlay using EBGp. You will implement an EVpn-signaled VXLAN overlay on the Layer 3 fabric.

In this scenario, what must you do in the underlay to ensure that the VXLAN overlay will be able to function properly?

- A. The underlay should advertise the host-connected interfaces on all leaf devices.
- B. Each device in the underlay should advertise its loopback address.
- C. The underlay should be configured with a separate VRF for each potential tenant.
- D. The underlay should support the PIM protocol.

Correct Answer: B

QUESTION 5

Which two statements describe EVPN-based VXLAN implementations? (Choose two.)

- A. The movement of a virtual host requires a manual reconfiguration of the VTEP.
- B. The movement of a virtual host results in the dynamic remapping of the VTEP.
- C. MAC addresses are learned using multicast flooding.
- D. MAC addresses are propagated using BGP updates.

Correct Answer: BD

QUESTION 6

What are three advantages of using MPLS for data center interconnects? (Choose three.)

- A. dedicated MPLS backbones for Layer 2 and Layer 3 DCIs
- B. any-to-any connectivity
- C. traffic engineering
- D. dedicated connections between customer sites
- E. sub 50 ms failover times

Correct Answer: ACE

QUESTION 7

Which two statements describe an IP fabric? (Choose two.)

- A. Open standards allow for vendor interoperability.
- B. Each leaf should have a connection to each spine.
- C. xSTP protocols should be used to prevent loops.
- D. Traffic should always follow a single path.

Correct Answer: BC

QUESTION 8

You are designing a network for a small data center.

In this scenario, which underlay protocol allows for the simplest implementation?

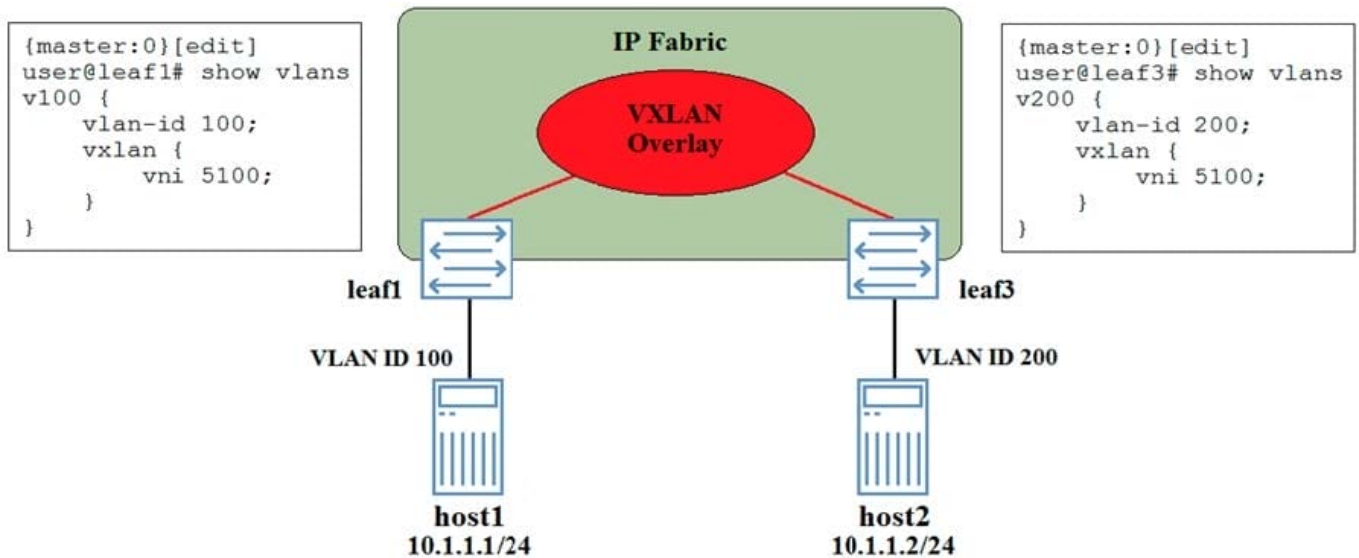
- A. OSPF

- B. IBGP
- C. EBGp
- D. MPLS

Correct Answer: C

QUESTION 9

A VXLAN has been created between devices leaf1 and leaf3.



Referring to the exhibit, which statement is true?

- A. Traffic sent from host1 to host2 will be tagged with VLAN ID 200 when exiting leaf3.
- B. Traffic sent from leaf1 to host2 will be dropped on leaf1.
- C. Traffic sent from host1 to host2 will be tagged with VLAN ID 100 when exiting leaf3.
- D. Traffic sent from leaf1 to host2 will be dropped on leaf3.

Correct Answer: A

QUESTION 10

What happens when a packet is encapsulated by a VXLAN before being placed in the overlay?

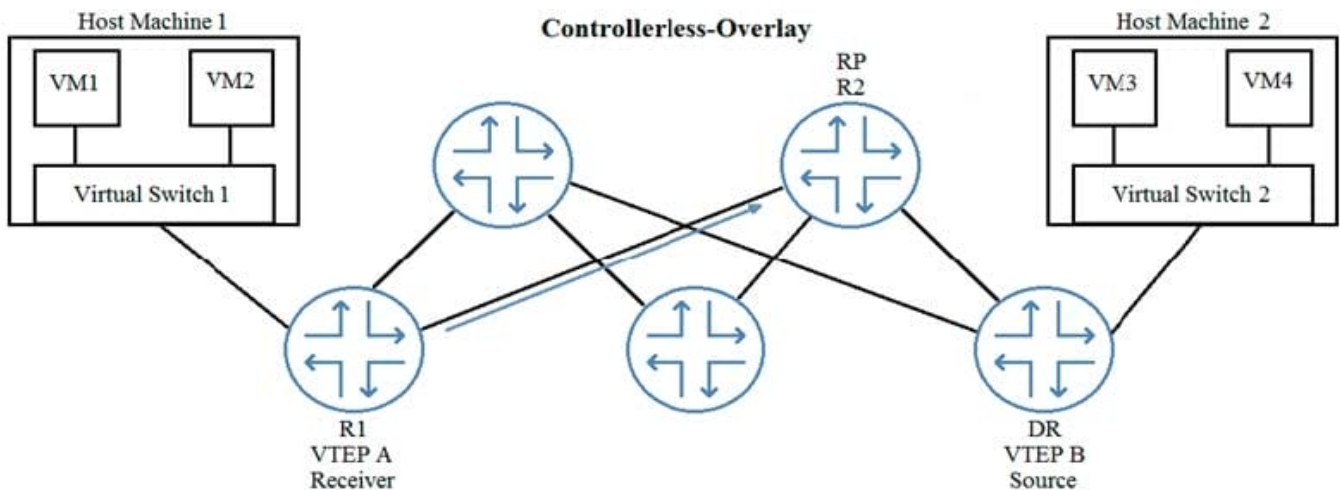
- A. The QoS markings are placed in the VXLAN header.
- B. The VLAN-ID is placed in the VXLAN header.
- C. A VNI that maps to the VLAN-ID is placed in the VXLAN header.

D. The TTL is decremented by two and placed in the VXLAN header.

Correct Answer: C

QUESTION 11

In the exhibit, VM1 is part of the same VXLAN segment as VM3.



Which type of message will R1 initially send to R2 so that VM1 receives BUM traffic from VM3?

- A. IGMP Join (S,G)
- B. PIM Join
- C. IGMP Join (*,G)
- D. PIM Register message

Correct Answer: B

QUESTION 12

What is the purpose of the command shown in the exhibit?

```
[edit protocols 12-learning]
user@switch# show
disable-vxlan-multicast-transit {
    vxlan-multicast-group 239.0.0.1;
}
```

- A. to stop the transmission of transit multicast traffic when there are no interested receivers attached to a remote VTEP.
- B. to disallow IGMP requests for the group 239.0.0.1 from hosts attached to the local VTEP.

C. to disable the multicast group 239.0.0.1 across the entire VXLAN.

D. to stop the reception of transit multicast traffic when there are no interested receivers attached to the local VTEP.

Correct Answer: A

QUESTION 13

Which two statements are true about Virtual Chassis? (Choose two.)

A. The request virtual-chassis mode fabric reboot command will set the Virtual Chassis to fabric mode with similar devices.

B. The request virtual-chassis mode fabric reboot command will set the Virtual Chassis to mixed mode.

C. By default, Junos switches are in a non-mixed mode Virtual Chassis.

D. By default, Junos switches are in mixed mode Virtual Chassis.

Correct Answer: BC

QUESTION 14

What are two valid types of VXLAN signaling? (Choose two.)

A. EVPN

B. RSVP

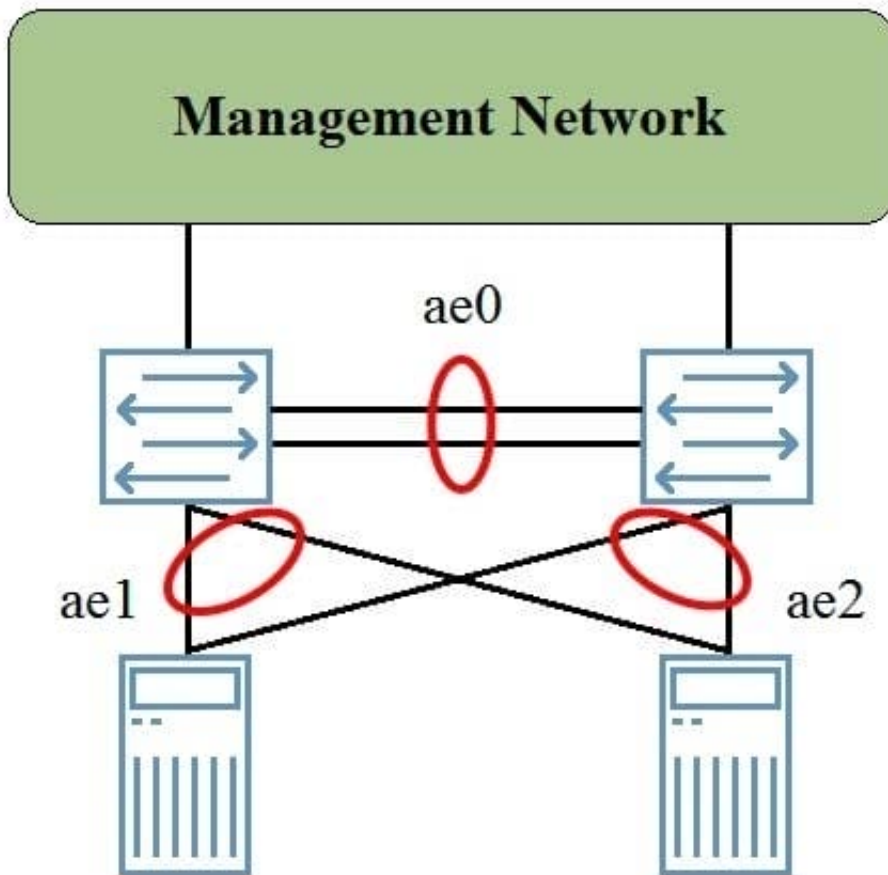
C. RSTP

D. MPLS

Correct Answer: AD

QUESTION 15

The MC-LAG group shown in the exhibit is providing high availability services for the directly connected servers. The backup liveness detection is applied to the ICL-PL link, however, when one of the members rebooted, there was traffic loss for a few seconds.



In this scenario, where should you apply the backup liveness detection?

- A. on the ae1 interface
- B. on the ae2 interface
- C. on the management interfaces
- D. on the ae0 interface

Correct Answer: C

[JN0-681 VCE Dumps](#)

[JN0-681 Study Guide](#)

[JN0-681 Exam Questions](#)