

JN0-660^{Q&As}

Service Provider Routing and Switching, Professional

Pass Juniper JN0-660 Exam with 100% Guarantee

Free Download Real Questions & Answers **PDF** and **VCE** file from:

<https://www.leads4pass.com/jn0-660.html>

100% Passing Guarantee
100% Money Back Assurance

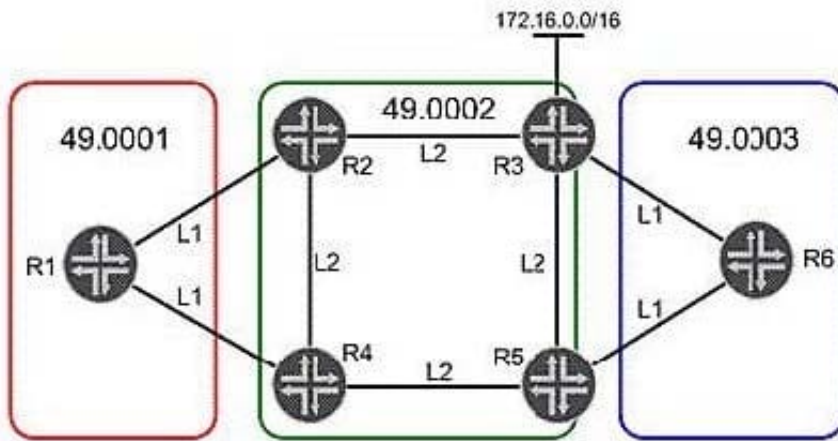
Following Questions and Answers are all new published by Juniper
Official Exam Center

- ⚙️ **Instant Download** After Purchase
- ⚙️ **100% Money Back** Guarantee
- ⚙️ **365 Days** Free Update
- ⚙️ **800,000+** Satisfied Customers



QUESTION 1

Click the Exhibit button.



The IGP is IS-IS. R2 has configured its loopback interface in Level 2 only. Referring to the exhibit, which statement is true?

- A. R2 advertises its loopback address to all L1 adjacencies.
- B. R1 cannot reach R2's loopback address.
- C. R1 uses a default route to reach R2's loopback address.
- D. R1 automatically selects R2 as the default gateway to reach R2's loopback address.

Correct Answer: C

QUESTION 2

Refer to exhibit.

```
user@router# run file show /var/db/scripts/op/forget-me-not.slax
version 1.0;
ns junos = "http://xml.juniper.net/junos/*/junos";
ns xnm = "http://xml.juniper.net/xnm/1.1/xnm";
ns jcs = "http://xml.juniper.net/junos/commit-scripts/1.0";
import "../import/junos.xsl";
match configuration {
  var SmpIs = protocols/mpls;
  for-each (interfaces/interface[not(starts-with(name, "lo"))]/unit[family/iso]) {
    var $ifname = ../name      ':'      name;
    if (not(family/mpls)) {
      call jcs:emit-change() {
        with $message = {
          expr $ifname;
          expr " does not have MPLS.";
        }
        with $content = {
          <family> {
            <mpls>;
          }
        }
      }
    }
    if ($SmpIs and not($SmpIs/interface[name = $ifname])) {
      call jcs:emit-change($dot = $SmpIs) {
        with $message = {
          expr "You forgot something.";
        }
        with $content = {
          <interface> {
            <name> $ifname;
          }
        }
      }
    }
  }
}
```

```
user@router# show interfaces ge-1/0/0
unit 0 {
    family inet {
        address 10.42.0.1/30;
    }
    family iso;
}
```

```
user@router# show system scripts
commit {
file forget-me-not.slax;
}
```

Referring to the script and configuration shown in the exhibit, what would be the output after committing the configuration?

A.

```
[edit interfaces interface ge-1/0/0 unit 0]
warning: ge-1/0/0 does not have MPLS.
commit complete
```

B.

```
[edit interfaces interface ge-1/0/0 unit 0]
warning: You forgot something.
commit complete
```

C.

```
[edit interfaces interface ge-1/0/0 unit 0]
warning: ge-1/0/0 does not have MPLS.
```

D.

```
[edit interfaces interface ge-1/0/0 unit 0]
warning: You forgot something.
commit complete
commit complete
```

A. Option A

B. Option B

C. Option C

D. Option D

Correct Answer: C

QUESTION 3

Click the Exhibit button.

```
user@router# run show class-of-service rewrite-rule name traffic-class
Rewrite rule: traffic-class, Code point type: exp, Index: 58855
  Forwarding class      Loss priority  Code point
  best-effort           low           000
  best-effort           high          001
  expedited-forwarding low           111
  expedited-forwarding high          011
  assured-forwarding   low           100
  assured-forwarding   high          101
  network-control      low           110
  network-control      high          111
```

Your router should be configured with a rewrite rule which alters the default behavior of expedited-forwarding as shown in the exhibit. Which configuration is correct?

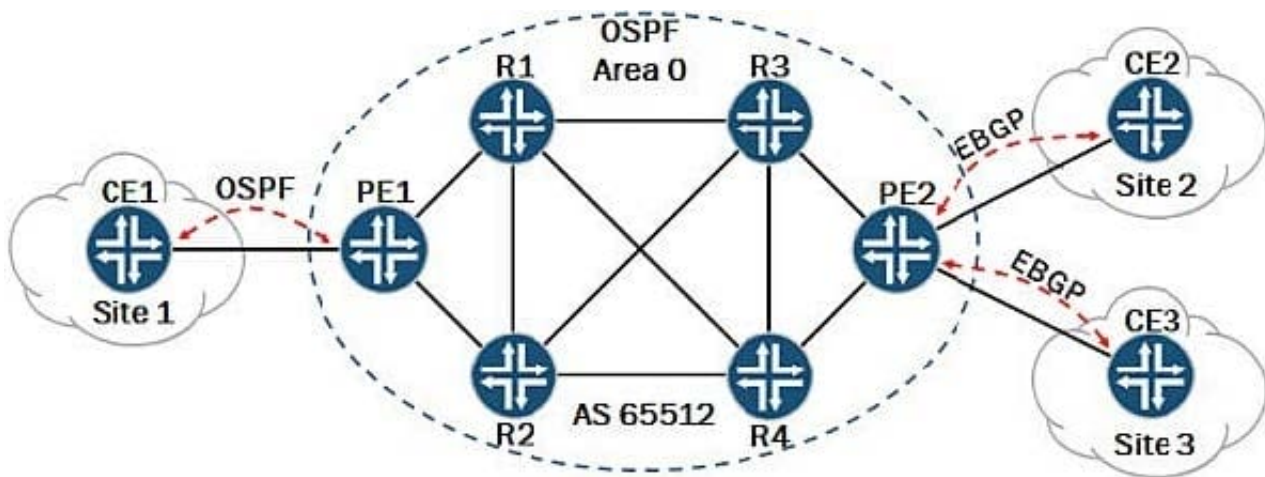
- A. [edit]
user@router# show class-of-service
rewrite-rules {
 exp traffic-class {
 import default;
 forwarding-class expedited-forwarding {
 loss-priority low code-point 111;
 }
 }
}
- B. [edit]
user@router# show class-of-service
rewrite rules {
 exp traffic-class {
 import rewrite-rule best-effort;
 import rewrite-rule expedited-forwarding;
 import rewrite-rule assured-forwarding;
 import rewrite-rule network-control;
 forwarding-class expedited-forwarding {
 loss-priority low code-point 111;
 }
 }
}
- C. [edit]
user@router# show class-of-service
rewrite-rules {
 exp traffic-class {
 import best-effort;
 import assured-forwarding;
 import network-control;
 forwarding-class expedited-forwarding {
 loss-priority low code-point 111;
 }
 }
}
- D. [edit]
user@router# show class-of-service
rewrite-rules {
 exp traffic-class {
 import best-effort;
 import assured-forwarding;
 import expedited-forwarding;
 import network-control;
 }
}

- A. Option A
- B. Option B
- C. Option C
- D. Option D

Correct Answer: A

QUESTION 4

-- Exhibit



-- Exhibit -Click the Exhibit button.

Referring to the exhibit, you have recently configured a Layer 3 VPN between Site 1, Site 2, and Site 3. The CE2 device has all routes from Site 1 and Site 3. The CE3 device has all the routes from Site 1 and Site 3. CE1 is not receiving any routes from either Site 2 or Site 3.

Which statement is correct?

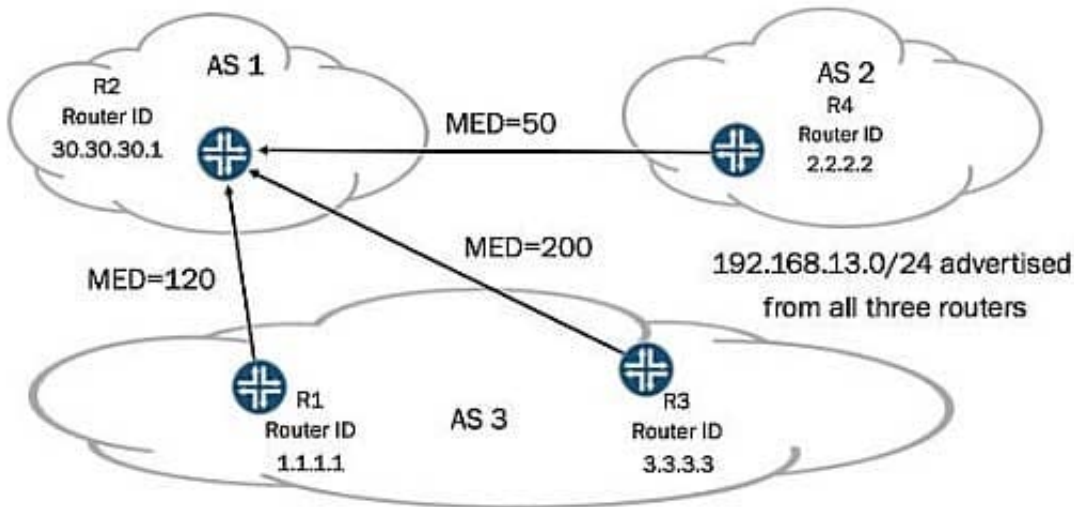
- A. PE2 must redistribute the routes into OSPF using a VRF export policy.
- B. You must configure a sham link between all three sites.
- C. OSPF is not a supported PE to CE routing protocol.
- D. You must create an export policy on PE1 to redistribute the VPN routes into OSPF.

Correct Answer: D

QUESTION 5

-- Exhibit -- Exhibit -Click the Exhibit button. You administer the network shown in the exhibit. Routers R1, R3, and R4

are sending the same prefix to



R2. All routers are using default local-preference values. You must make the prefix from R4 the most preferred.

Which two actions accomplish the task? (Choose two.)

- A. Configure as-path-prepend on R1 and R3.
- B. Configure local-preference 10 on R4.
- C. Configure router-id 4.4.4.4 on R4.
- D. Configure always-compare-med on R2.

Correct Answer: AD

QUESTION 6

Click the Exhibit button.

```
[edit]
root@R3# run show isis database
IS-IS level 1 link-state database:
LSP ID                Sequence Checksum Lifetime Attributes
R3.00-00                0x1     0x2748     1146 L1 L2
  1 ISPs

IS-IS level 2 link-state database:
LSP ID                Sequence Checksum Lifetime Attributes
R4.00-00                0x2     0xda98     1150 L1 L2
R3.00-00                0x2     0x2de1     1152 L1 L2
R3.02-00                0x1     0x48c6     1152 L1 L2
  3 ISPs
```

Based on the output in the exhibit, which statement is correct?

- A. R4 has been configured with an IS-IS export policy and is announcing external routing information.
- B. R3 and R4 have an adjacency at both level 1 and level 2.
- C. R3 has been configured so that it is not used for transit traffic.
- D. R3 and R4 have only a level 2 adjacency.

Correct Answer: D

QUESTION 7

What are two requirements of Layer 2 VPN BGP route reflectors? (Choose two.)

- A. Routes are kept in the `bgp.l2vpn.0` table.
- B. Route reflectors must support the `l2vpn` family.
- C. Route reflectors must support the `inet-vpn` family.
- D. Routes are kept in the `inet.2` table.

Correct Answer: AB

QUESTION 8

You are asked to mask your Junos MPLS core network from users that use traceroute. You have configuration privileges only on the ingress device. Which feature will accomplish this task?

- A. Egress-protection
- B. No-propagate-ttl
- C. No-record

D. No-decrement-ttl

Correct Answer: D

QUESTION 9

You are deploying OSPFv2 and OSPFv3 in your network. You must enable authentication to secure OSPF communication.

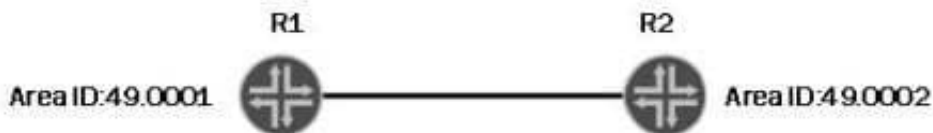
Which authentication method is supported?

- A. MD5
- B. Simple
- C. IPsec
- D. RSA

Correct Answer: C

QUESTION 10

Click the Exhibit button.



The configuration excerpts shown below are applied to R1 and R2:

```
[edit protocols isis]
user@R1# show
level 2 disable;
interface all;
```

```
[edit protocols isis]
user@R2# show
interface all;
```

Based on the exhibit and the configurations above, what combination of IS-IS adjacencies are created between R1 and R2?

- A. No adjacency is created
- B. Both L1 and L2

C. L1 only

D. L2 only

Correct Answer: A

QUESTION 11

What are three reasons an OSPF neighbor ship would be stuck in ExStart? (Choose three.)

A. The LSA database exchange is not yet completed.

B. There is an MTU mismatch between the OSPF routers.

C. There is an interface-type mismatch between the OSPF routers.

D. There is a unicast communication problem between the OSPF routers.

E. Both OSPF routers are using the same router ID.

Correct Answer: BDE

QUESTION 12

Click the Exhibit button.

```
[edit]
root@R4# run show isis database
IS-IS level 1 link-state database:
LSP ID                Sequence  Checksum  Lifetime  Attributes
R4.00-00                0x4      0xe888    1154     L1 L2
R3.00-00                0x3      0x2ce1    1150     L1 L2
R3.02-00                0x2      0x46c7    1150     L1 L2
  3 LSPs

IS-IS level 2 link-state database:
LSP ID                Sequence  Checksum  Lifetime  Attributes
R4.00-00                0x5      0xee7d    1154     L1 L2
R3.00-00                0x4      0xed1f    1150     L1 L2
R3.02-00                0x3      0x44c8    1151     L1 L2
  3 LSPs

[edit]
root@R4#
```

Based on the output in the exhibit, which statement is correct?

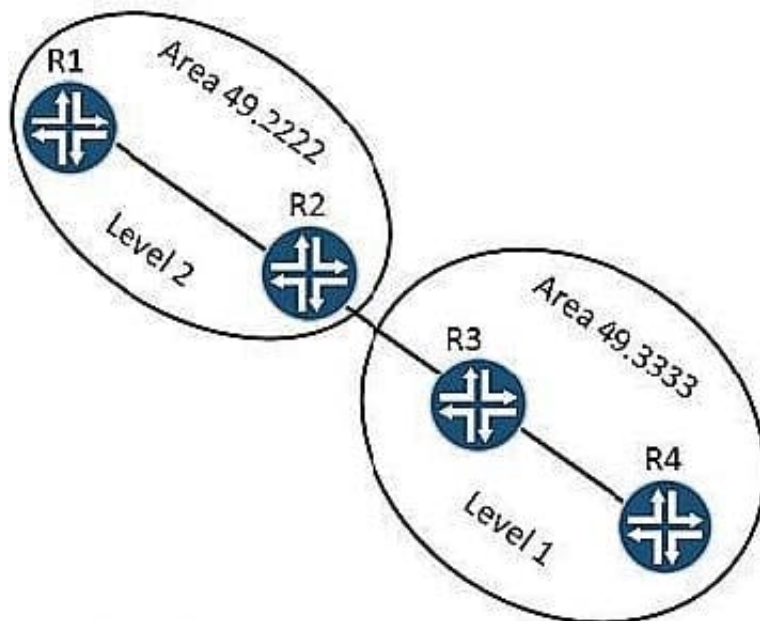
A. R4 has been configured with an IS-IS export policy and is announcing external routing information.

- B. R3 and R4 have an adjacency at both level 1 and level 2.
- C. R3 has been configured so that it is not used for transit traffic.
- D. R3 and R4 have only a level 2 adjacency.

Correct Answer: B

QUESTION 13

-- Exhibit



```
[edit protocols isis]
user@R1# show
level 2 wide-metrics-only;
interface all;
```

```
[edit protocols isis]
user@R2# show
level 2 wide-metrics-only;
level 1 wide-metrics-only;
interface all;
```

```
[edit protocols isis]
user@R3# show
export 10.100.100.0/24;
level 1 wide-metrics-only;
interface all {
    level 2 disable;
}
```

-- Exhibit -Click the Exhibit button. The exhibit displays an IS-IS topology and IS-IS configuration for R1, R2, and R3. R3 is redistributing the

10.100.100.0/24 route into IS-IS as an external IS-IS route. However, the 10.100.100.0/24 route is automatically being leaked into Area 49.2222.

How do you stop the automatic route leaking of the 10.100.100.0/24 prefix?

- A. Remove the level 1 wide-metrics-only statement from R3.

- B. Remove the level 1 wide-metrics-only statement from R2.
- C. Remove the level 2 wide-metrics-only statement from R2.
- D. Remove the level 2 wide-metrics-only statement from R1.

Correct Answer: A

QUESTION 14

You are hired at an ISP and your new employer asks you to become familiar with the routing policy. The `42 +.*[21112]$\` regular expression is in one of the policies. Which three AS paths match the regex statement? (Choose three.)

- A. 42 42 42 42 6
- B. 42 42 42 27 21
- C. 42 42 42 42 12
- D. 42 69 2112 112
- E. 42 69 212112

Correct Answer: BCE

QUESTION 15

You have recently deployed PIM-SM in your network and must control some of the associated protocol exchanges.

Which three statements are true? (Choose three.)

- A. Policy can be used to control outgoing register messages at the source RP.
- B. Policy can be used to control outgoing register messages at the source DR.
- C. Policy can be used to control incoming register messages at the RP.
- D. Policy can be used to control incoming register messages at the DR.
- E. Policy can be used to control incoming and outgoing join and prune messages.

Correct Answer: BCE