

## JN0-648<sup>Q&As</sup>

Enterprise Routing and Switching, Professional (JNCIP-ENT)

### Pass Juniper JN0-648 Exam with 100% Guarantee

Free Download Real Questions & Answers **PDF** and **VCE** file from:

<https://www.leads4pass.com/jn0-648.html>

100% Passing Guarantee  
100% Money Back Assurance

Following Questions and Answers are all new published by Juniper  
Official Exam Center

-  **Instant Download** After Purchase
-  **100% Money Back** Guarantee
-  **365 Days** Free Update
-  **800,000+** Satisfied Customers



**QUESTION 1**

You must ensure that all management traffic sourced from your Junos devices is set with a specific DSCP code-point value.

Which action will accomplish this task?

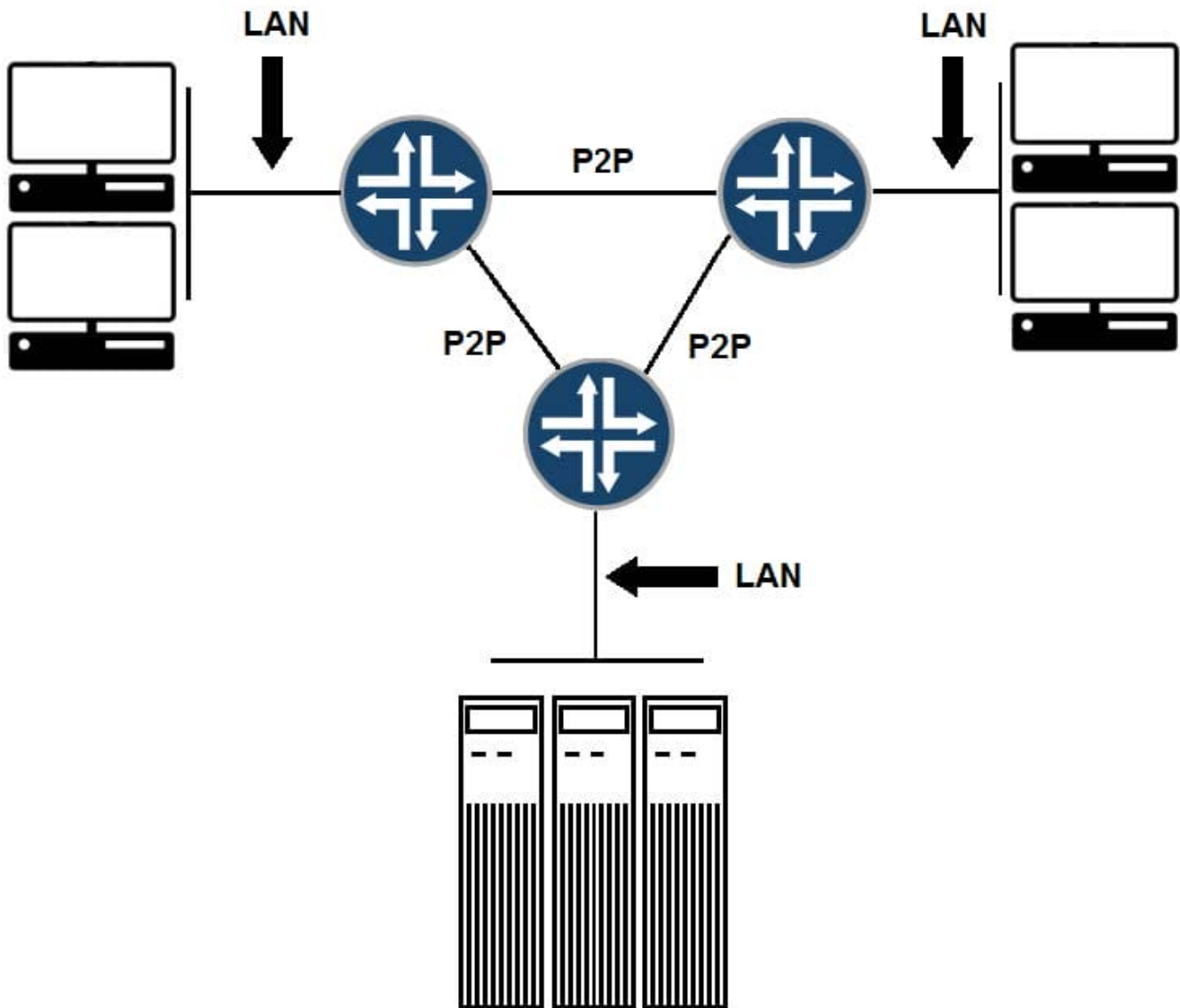
- A. Apply the DSCP code-point to the [edit class-of-service host-outbound-traffic]hierarchy.
- B. Apply the DSCP code-point to the [edit class-of-service interface lo0.0]hierarchy
- C. Apply the DSCP code-point in an egress policer.
- D. Apply the DSCP code-point to a rewrite rule.

Correct Answer: A

---

**QUESTION 2**

Click the Exhibit button.



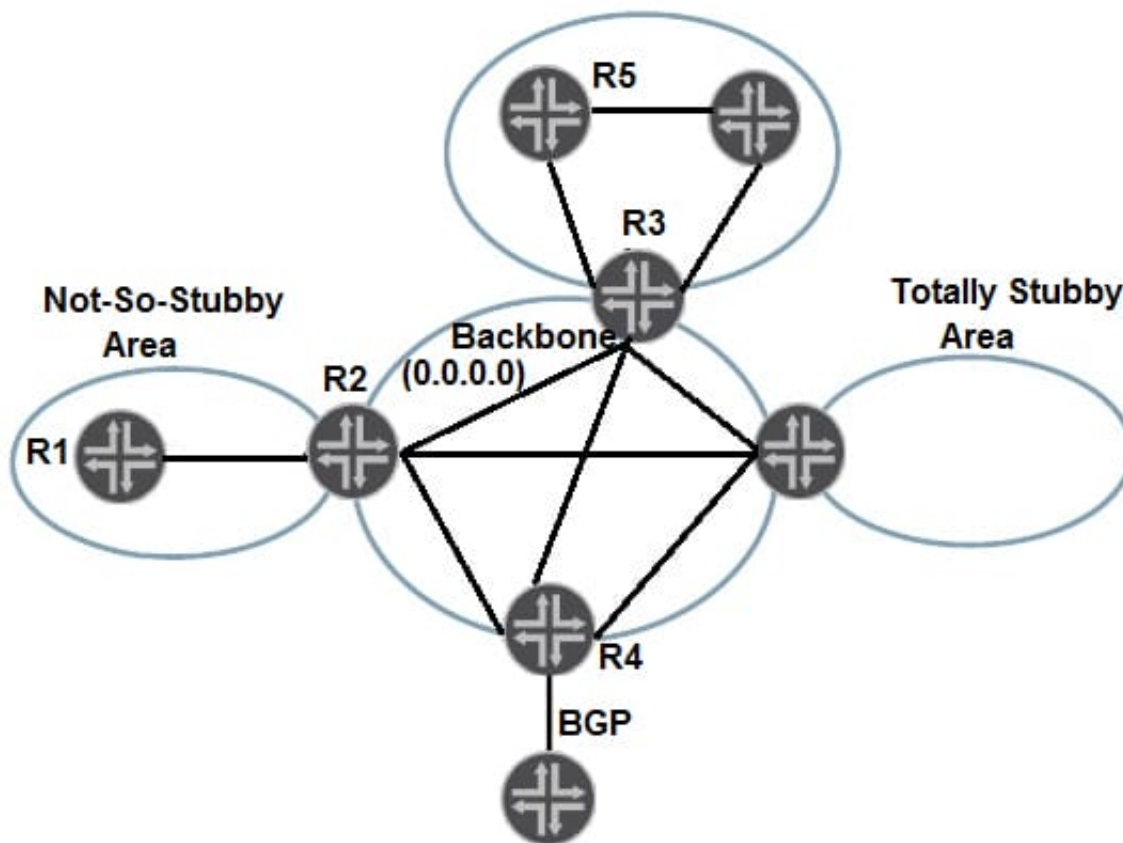
Referring to the exhibit, which two statements are true with regards to deploying CoS? (Choose two.)

- A. You should apply MF classifiers on the LAN-facing interfaces of the routers.
- B. You should apply MF classifiers on the point-to-point interfaces of the routers.
- C. You should apply BA classifiers on the point-to-point interfaces of the routers.
- D. You should apply BA classifiers on the LAN-facing interfaces of the routers.

Correct Answer: AC

**QUESTION 3**

Click the Exhibit button.



Referring to the exhibit, how is R5 able to learn the networks that exist within the NSSA?

- A. R5 learns those networks from Type 3 LSAs advertised by R2.
- B. R5 learns those networks from Type 3 LSAs advertised by R3.
- C. R5 does not learn those networks and uses a default route advertised by R3 instead.
- D. R5 does not learn those networks but uses a default route advertised by R2 instead.

Correct Answer: D

**QUESTION 4**

You are deploying IP phones in your Layer 2 network and are asked to ensure that the switch sends VLAN and CoS information to the IP phones automatically.

In this scenario, which protocol should be used?

- A. PoE+
- B. LLDP
- C. LLDP-MED

D. PoE

Correct Answer: C

---

### QUESTION 5

Click the Exhibit button.

```
user@router> show log ospf.log
Jan 31 18:25:56 exA-2 clear-log[10835]: logfile cleared
Jan 31 18:25:56.870847 OSPF hello from 10.222.0.13 (IFL 2147404756, area 0.0.0.1) absorbed
Jan 31 18:25:58.152391 OSPF periodic xmit from 10.222.0.13 to 224.0.0.5 (IFL 2147405268 area 0.0.0.1)
Jan 31 18:26:00.979655 OSPF resend last DBD to 10.222.0.13
Jan 31 18:26:00.979832 OSPF sent DbD 10.222.0.13 -> 10.222.0.13 (ge-0/0/6.0 IFL 69 area 0.0.0.1)
Jan 31 18:26:00.979862   Version 2, length 32, ID 10.222.1.5, area 0.0.0.1
Jan 31 18:26:00.979887   options 0x50, i 1, m 1, ms 1, r 0, seq 0xadf4b41, mtu 1500
Jan 31 18:26:00.980634 OSPF packet ignored: no matching interface from 10.222.0.13, IFL 0
---(more)---
```

Referring to the log shown in the exhibit, what is the problem with the OSPF adjacency establishment?

- A. There is an MD5 authentication mismatch.
- B. The OSPF database description packet is malformed.
- C. The interface IP addresses on the subnet are duplicates.
- D. The referenced IP address does not exist on the network segment.

Correct Answer: C

---

### QUESTION 6

Which two statements are true regarding bidirectional PIM? (Choose two.)

- A. Forwarding paths can be suboptimal.
- B. Devices only store group specific entries.
- C. It uses multicast tunneling to forward traffic.
- D. It eliminates the need for an RP.

Correct Answer: AB

---

## QUESTION 7

Which type of BGP is used to peer with a different autonomous system?

- A. external
- B. classless
- C. dynamic
- D. static

Correct Answer: A

---

## QUESTION 8

```
[edit protocols pim]
user@R1# show
rp {
  bootstrap {
    family inet {
      priority 250;
    }
  }
  local {
    address 10.42.0.1;
    group-ranges {
      224.0.0.0/4;
    }
  }
}
interface ge-0/0/0.0 {
  disable;
}
interface all;
```

```
[edit protocols pim]
user@R2# show
rp {
  bootstrap {
    family inet {
      priority 250;
    }
  }
  local {
    address 10.42.0.2;
    group-ranges {
      224.0.0.0/4;
    }
  }
}
interface ge-0/0/0.0 {
  disable;
}
interface all;
```

Referring to the exhibit, there are multiple ASM groups in the 224.0.0.0/4 range.

Which configuration change is needed to ensure R1 is always the RP for group 224.224.1.1?

- A. Set the priority on R1 to zero.
- B. Increase the priority on R1 to higher than R2.
- C. Configure R1 with a higher local RP address.
- D. Ensure R1 has a more specific group range.

Correct Answer: A

---

**QUESTION 9**

Which protocol is used for port-level access control and authentication?

- A. MD5
- B. IPsec
- C. 802.1X
- D. AES

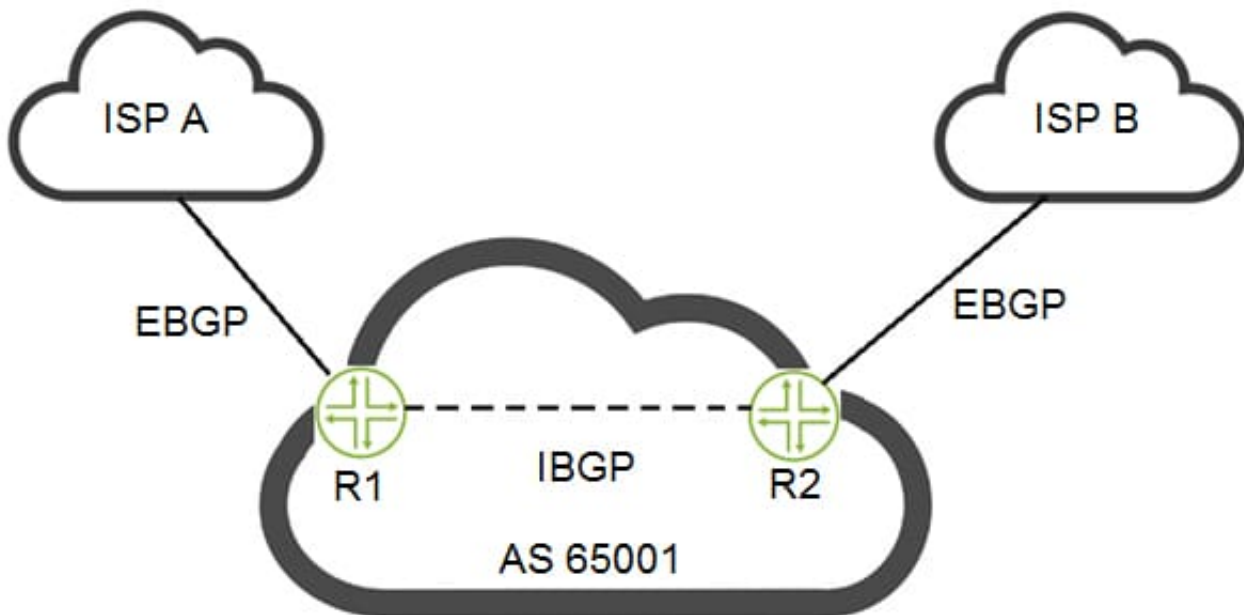
Correct Answer: C

---

**QUESTION 10**

Click the Exhibit button.





You are configuring BGP policies for a site with a dual-homed connection as shown in the exhibit. You need all outbound traffic to egress the network through the link to ISP B by default. The ISPs should not be able to override this behavior through BGP attributes.

Which BGP attribute would you modify on the ISP-received routes to accomplish this objective?

- A. next-hop
- B. origin
- C. local preference
- D. MED

Correct Answer: C

#### QUESTION 11

You are deploying PIM source-specific multicast (SSM) for a new multicast messaging service. You have configured the multicast source to use 235.44.123.100 as the multicast address. You are not able to join the PIM SSM multicast feed.

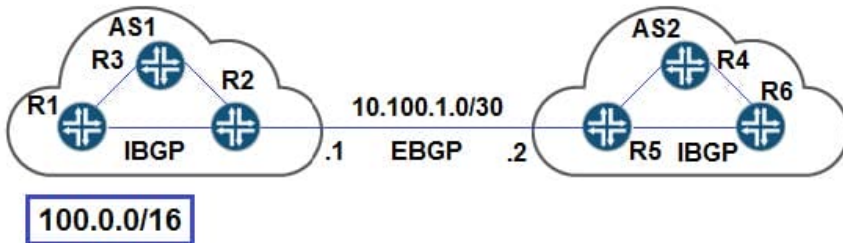
Which two solutions would resolve this problem? (Choose two.)

- A. Reconfigure the multicast source to use an address in the range of 224.0.0.0 through 224.255.255.255.
- B. Reconfigure the multicast source to use an address in the range of 232.0.0.0 through 232.255.255.255.
- C. Add the multicast address to the [edit routing-options multicast ssm-map] stanza.
- D. Add the multicast address to the [edit routing-options multicast ssm-groups] stanza.

Correct Answer: BD

**QUESTION 12**

Click the Exhibit button.



```
user@R2> show route 100.0.0.0/16 terse
```

```
inet.0: 1400327 destinations, 14000327 routes (14000326 active, 0 holddown, 1 hidden)
+= Active Route, - = Last Active, * = Both
```

A	V	Destination	P	Prf	Metric 1	Metric 2	Next hop	AS path
*		100.0.0.0/24	I	165	100		>10.254.31.2	
			B	170	100		>10.254.31.2	I
*		100.0.1.0/24	I	165	100		>10.254.31.2	
			B	170	100		>10.254.31.2	I
*		100.0.2.0/24	I	165	100		>10.254.31.2	
			B	170	100		>10.254.31.2	I
*		100.0.3.0/24	I	165	100		>10.254.31.2	
			B	170	100		>10.254.31.2	I
*		100.0.4.0/24	I	165	100		>10.254.31.2	
			B	170	100		>10.254.31.2	I
*		100.0.5.0/24	I	165	100		>10.254.31.2	
			B	170	100		>10.254.31.2	I
.	.	.	.	.	.	.	.	.

Referring to the exhibit, you must advertise the 100.0.0.0/16 routes from AS1 to AS2, but R2 is not advertising any BGP routes to R5.

Why is this happening in this scenario?

- A. The IBGP routes will not be advertised because you must use a policy to advertise IBGP routes.
- B. The IBGP routes are not active and EBGP will advertise only active routes.
- C. The IBGP routes will not be advertised because the AS path shows as incomplete.
- D. The IBGP routes are not active because the next hop is not reachable.

Correct Answer: B

**QUESTION 13**

You have an IPv4 multicast network configured as PIM-SM.

What must be done before replacing your static RP with auto-RP?

- A. Enable sparse-dense mode on each of the routers in the network.
- B. Configure auto-RP domains on each router in the network.
- C. Configure each router in the network as a candidate BSR.
- D. Enable each router in the network to forward multicast packets.

Correct Answer: A

---

#### QUESTION 14

Click the Exhibit button.

```
user@router> show route receive-protocol bgp 10.0.0.2
inet.0: 18 destinations, 20 routes (18 active, 0 holddown, 0 hidden)
  Prefix                Nexthop          MED      Lclpref    AS path
* 100.100.1.0/24        10.0.0.2         5        200        65001 I
* 100.100.2.0/24        10.0.0.2         5        100        65001 I
  100.100.3.0/24        10.0.0.2         100      100        65001 I
  100.100.4.0/24        10.0.0.2         100      100        65001 I
  100.100.5.0/24        10.0.0.2         100      100        65001 I
  100.100.6.0/24        10.0.0.2         100      100        65001 I
* 100.100.7.0/24        10.0.0.2         10       100        65001 I
  100.100.8.0/24        10.0.0.2         100      100        65001 I
iso.0: 1 destinations, 1 routes (1 active, 0 holddown, 0 hidden)
```

Referring to the configuration shown in the exhibit, how many of the routes received from 10.0.0.2 will be active in the routing table?

- A. 5
- B. 3
- C. 8
- D. 2

Correct Answer: B

---

#### QUESTION 15

You are enabling MSTP in your Layer 2 network to prevent loops.

In this scenario, which three parameters must match on all switches in the network? (Choose three.)

- A. bridge priority
- B. revision level
- C. MSTI-to-VLAN mapping
- D. configuration name
- E. max age

Correct Answer: BCD

[Latest JN0-648 Dumps](#)

[JN0-648 Practice Test](#)

[JN0-648 Study Guide](#)