

## JN0-635<sup>Q&As</sup>

Security, Professional

### Pass Juniper JN0-635 Exam with 100% Guarantee

Free Download Real Questions & Answers **PDF** and **VCE** file from:

<https://www.leads4pass.com/jn0-635.html>

100% Passing Guarantee  
100% Money Back Assurance

Following Questions and Answers are all new published by Juniper  
Official Exam Center

-  **Instant Download** After Purchase
-  **100% Money Back** Guarantee
-  **365 Days** Free Update
-  **800,000+** Satisfied Customers



**QUESTION 1**

Click the Exhibit button.

```
user@host# show system security-profile
production-profile {
  zone {
    maximum 10;
    reserved 5;
  }
  logical-system [ ACME WILEY ];
}
development-profile {
  zone {
    maximum 7;
    reserved 0;
  }
  logical-system [ IT-design security ];
}
master-profile {
  zone {
    maximum 40;
    reserved 17;
  }
  root-logical-system;
}
```

Referring to the exhibit, what is the maximum number of zones that are able to be created within all logical systems?

- A. 74
- B. 34
- C. 40
- D. 17

Correct Answer: C

---

**QUESTION 2**

You opened a support ticket with JTAC for your Juniper ATP appliance. JTAC asks you to set up access to the device using the reverse SSH connection. Which three settings must be configured to satisfy this request? (Choose three.)

- A. Enable JTAC remote access

- B. Create a temporary root account.
- C. Enable a JATP support account.
- D. Create a temporary admin account.
- E. Enable remote support.

Correct Answer: CDE

Reference:

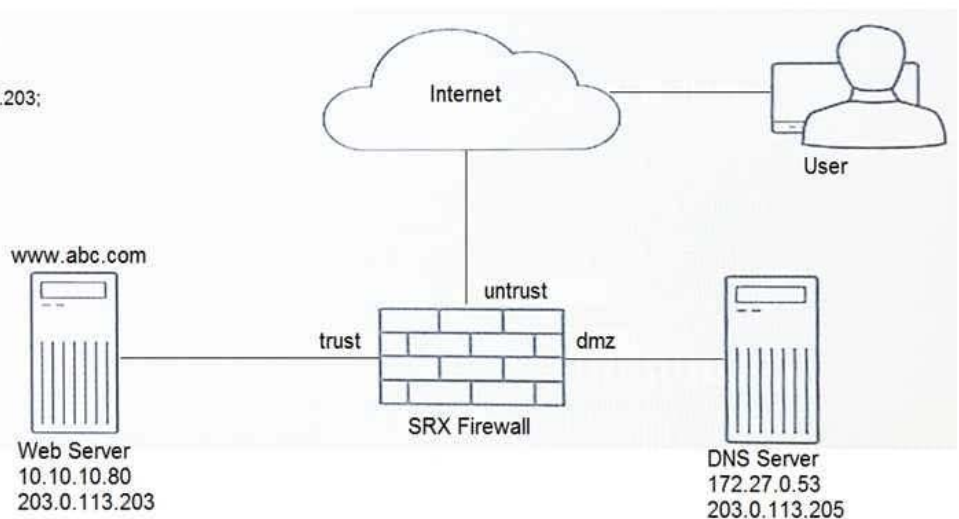
<https://kb.juniper.net/InfoCenter/index?page=content&id=TN326&cat=andactp=LIST&showDraft=false>

### QUESTION 3

Click the Exhibit button.

```

user@srx> show configuration security nat static
static {
  rule-set abc_rule1 {
    from zone untrust;
    rule 1 {
      match {
        destination-address 203.0.113.203;
      }
      then {
        static-nat {
          prefix {
            10.10.10.80;
          }
        }
      }
    }
  }
}
  
```



A user is trying to reach a company's website, but the connection errors out. The security policies are configured correctly.

Referring to the exhibit, what is the problem?

- A. Persistent NAT must be enabled
- B. The action for rule 1 must change to static-nat inet
- C. DNS ALG must be disabled
- D. Static NAT is missing a rule for DNS server

Correct Answer: D

**QUESTION 4**

You must troubleshoot ongoing problems with IPsec tunnels and security policy processing. Your network consists of SRX340s and SRX5600s.

In this scenario, which two statements are true? (Choose two.)

- A. IPsec logs are written to the kmd log file by default
- B. IKE logs are written to the messages log file by default
- C. You must enable data plane logging on the SRX340 devices to generate security policy logs
- D. You must enable data plane logging on the SRX5600 devices to generate security policy logs

Correct Answer: AD

---

**QUESTION 5**

You are configuring transparent mode on an SRX Series device. You must permit IP-based traffic only, and BPDUs must be restricted to the VLANs from which they originate.

Which configuration accomplishes these objectives?

- A. 

```
bridge {
  block-non-ip-all;
  bypass-non-ip-unicast;
  no-packet-flooding;
}
```
- B. 

```
bridge {
  block-non-ip-all;
  bypass-non-ip-unicast;
  bpdu-vlan-flooding;
}
```
- C. 

```
bridge {
  bypass-non-ip-unicast;
  bpdu-vlan-flooding;
}
```
- D. 

```
bridge {
  block-non-ip-all;
  bpdu-vlan-flooding;
}
```

A. Option A

B. Option B

C. Option C

D. Option D

Correct Answer: B

Reference: <https://www.oreilly.com/library/view/juniper-srx-series/9781449339029/ch06.html>

---

## QUESTION 6

Click the Exhibit button.

```
user@srx> show chassis cluster interfaces
```

```
Control link status: Up
```

```
Control interfaces:
```

Index	Interface	Monitored-Status	Internal-SA	Security
0	em0	Up	Disabled	Enabled

```
Fabric link status: Up
```

```
...
```

Referring to the exhibit, which statement is true?

- A. ARP security is securing data across the control interface
- B. IPsec is securing data across the control interface
- C. SSH is securing data across the control interface
- D. MACsec is securing data across the control interface

Correct Answer: D

Reference: [https://www.juniper.net/documentation/en\\_US/junos/topics/reference/command-summary/show-chassis-cluster-interfaces.html](https://www.juniper.net/documentation/en_US/junos/topics/reference/command-summary/show-chassis-cluster-interfaces.html)

---

#### QUESTION 7

Your SRX Series device does not see the SYN packet. What is the default action in this scenario?

- A. The device will forward the subsequent packets and the session will be established
- B. The device will forward the subsequent packets and the session will not be established
- C. The device will drop the subsequent packets and the session will not be established
- D. The device will drop the subsequent packets and the session will be established

Correct Answer: C

Reference: [https://www.juniper.net/documentation/en\\_US/junos/topics/topic-map/security-tcp-sessionchecks.html](https://www.juniper.net/documentation/en_US/junos/topics/topic-map/security-tcp-sessionchecks.html)

---

#### QUESTION 8

Exhibit.

```
[edit security nat]
user@host# show
source {
  pool servers {
    address {
      198.51.100.240/32 to 198.51.100.254/32;
    }
    address-persistent subscriber ipv6-prefix-length 64;
  }
}
rule-set RS1 {
  from zone trust;
  to zone untrust;
  rule R1 {
    match {
      source-address 2001:db8::/32;
      destination-address 198.51.100.198/32;
    }
    then {
      source-nat {
        pool {
          servers;
        }
      }
    }
  }
}
```

Referring to the exhibit, which two statements are true? (Choose two.)

- A. The configured solution allows IPv6 to IPv4 translation.
- B. The configured solution allows IPv4 to IPv6 translation.
- C. The IPv6 address is invalid.
- D. External hosts cannot initiate contact.

Correct Answer: AC

### QUESTION 9

Your organization has multiple Active Directory domain to control user access. You must ensure that security polices are passing traffic based upon the user's access rights. What would you use to assist your SRX series devices to accomplish this task?

- A. JIMS
- B. Junos Space
- C. JSA
- D. JATP Appliance

Correct Answer: A

[https://www.juniper.net/documentation/en\\_US/junos/topics/topic-map/security-user-auth-configurejims.html](https://www.juniper.net/documentation/en_US/junos/topics/topic-map/security-user-auth-configurejims.html)

### QUESTION 10

Exhibit.

```
[edit]
user@srx# show system security-profile
SP-1 {
    policy {
        maximum 100;
        reserved 50;
    }
    zone {
        maximum 100;
        reserved 50;
    }
    nat-nopat-address {
        maximum 115;
        reserved 100;
    }
    nat-static-rule {
        maximum 125;
        reserved 100;
    }
}

[edit]
user@srx# show tenants
C-1 {
    security-profile {
        SP-1;
    }
}
```

Referring to the exhibit, which two statements are true? (Choose two.)

- A. The c-1 TSYS has a reservation for the security flow resource.
- B. The c-1 TSYS can use security flow resources up to the system maximum.
- C. The c-1 TSYS cannot use any security flow resources.



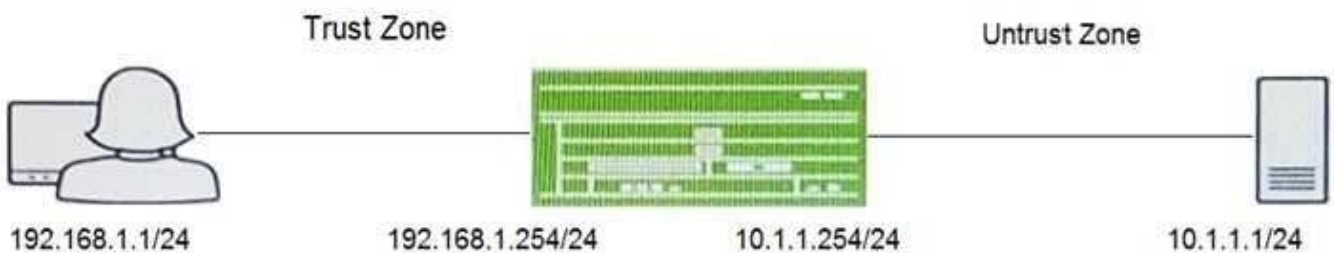
D. The c-1 TSYS has no reservation for the security flow resource.

Correct Answer: CD

Reference: [https://www.juniper.net/documentation/en\\_US/junos/topics/topic-map/security-profile-logical-system.html](https://www.juniper.net/documentation/en_US/junos/topics/topic-map/security-profile-logical-system.html)

**QUESTION 11**

Click the Exhibit button.



A user reports trouble when using SSH to a server outside your organization. The traffic traverses an SRX Series device that is performing NAT and applying security policies.

Referring to the exhibit, which configuration will allow you to see the bidirectional flow through the SRX Series device?

- A.
- ```
[edit security flow traceoptions]
file tracefile;
flag basic-datapath;
packet-filter MATCH-TRAFFIC-OUT {
    source-prefix 192.168.1.1/32;
    destination-prefix 192.168.1.254/32;
}
packet-filter MATCH-TRAFFIC-IN {
    source-prefix 10.1.1.1/32;
    destination-prefix 10.1.1.254./32;
}
```
- B.
- ```
[edit security flow traceoptions]
file tracefile;
flag basic-datapath;
packet-filter MATCH-TRAFFIC-OUT {
    source-prefix 192.168.1.1/32;
    destination-prefix 192.168.1.254/32;
}
```

- C. 

```
[edit security flow traceoptions]
file tracefile;
flag basic-datapath;
packet-filter MATCH-TRAFFIC {
    source-prefix 192.168.1.1/32;
    destination-prefix 10.1.1.1/32;
}
```
- D. 

```
[edit security flow traceoptions]
file tracefile;
flag basic-datapath;
packet-filter MATCH-TRAFFIC-OUT {
    source-prefix 192.168.1.1/32;
    destination-prefix 10.1.1.1/32;
}
packet-filter MATCH-TRAFFIC-IN {
    source-prefix 10.1.1.1/32;
    destination-prefix 192.168.1.1./32;
}
```

A. Option A

B. Option B

C. Option C

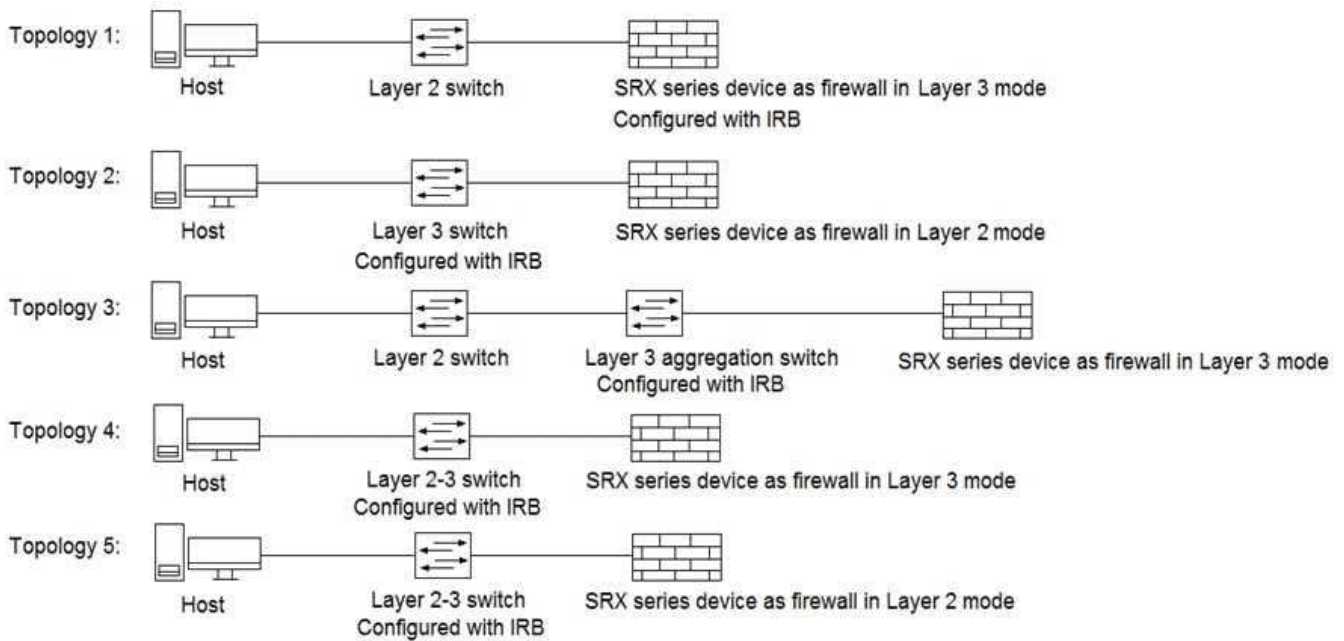
D. Option D

Correct Answer: D

---

#### QUESTION 12

Click the Exhibit button.



Referring to the exhibit, which three topologies are supported by Policy Enforcer? (Choose three.)

- A. Topology 3
- B. Topology 5
- C. Topology 2
- D. Topology 4
- E. Topology 1

Correct Answer: ADE

Reference: [https://www.juniper.net/documentation/en\\_US/junos-space17.2/policy-enforcer/topics/concept/policy-enforcer-deployment-supported-topologies.html](https://www.juniper.net/documentation/en_US/junos-space17.2/policy-enforcer/topics/concept/policy-enforcer-deployment-supported-topologies.html)

### QUESTION 13

Which two log format types are supported by the JATP appliance? (Choose two.)

- A. YAML
- B. XML
- C. CSV
- D. YANG

Correct Answer: BC

Reference: [https://www.juniper.net/documentation/en\\_US/release-independent/jatp/topics/topic-map/jatp-custom-loggingestion.html](https://www.juniper.net/documentation/en_US/release-independent/jatp/topics/topic-map/jatp-custom-loggingestion.html)

**QUESTION 14**

Click the Exhibit button.

```
user@SRX5800> show security idp status
```

```
-----  
State of IDP: Default, Up since: 2019-11-02 09:58:29 EDT (1w5d 03:44 ago)
```

```
Packets/second: 1          Peak: 441 @ 2019-11-14 11:02:54 EST  
KBits/second : 35881      Peak: 285133 @ 2019-11-14 12:43:05 EST  
Latency (microseconds): [min: 0] [max: 0] [avg: 0]
```

```
Packet Statistics:  
[ICMP: 0] [TCP: 713498] [UDP: 0] [Other: 0]
```

```
Flow Statistics:  
ICMP:[Current: 0] [Max: 0 @ 2019-11-02 09:58:29 EDT]  
TCP:[Current: 10] [Max: 23153 @ 2019-11-14 12:28:38 EST]  
UDP:[Current: 0] [Max: 0 @ 2019-11-02 09:58:29 EDT]  
Other:[Current: 0] [Max: 0 @ 2019-11-02 09:58:29 EDT]
```

```
Session Statistics:  
[ICMP: 0] [TCP: 5] [UDP: 0] [Other: 0]
```

```
Number of SSL Sessions : 0
```

```
Policy Name : IPS-POLICY  
Running Detector Version : 12.6.130190828
```

```
Forwarding process mode : regular
```

Referring to the exhibit, which IPS deployment mode is running on the SRX5800 device?

- A. sniffer mode
- B. integrated mode
- C. monitor mode
- D. in-line tap mode

Correct Answer: B

---

**QUESTION 15**

Which Junos security feature is used for signature-based attack prevention?

- A. RADIUS
- B. AppQoS

C. IPS

D. PIM

Correct Answer: C

[Latest JN0-635 Dumps](#)

[JN0-635 VCE Dumps](#)

[JN0-635 Exam Questions](#)