

JN0-361^{Q&As}

Service Provider Routing and Switching, Specialist Exam

Pass Juniper JN0-361 Exam with 100% Guarantee

Free Download Real Questions & Answers **PDF** and **VCE** file from:

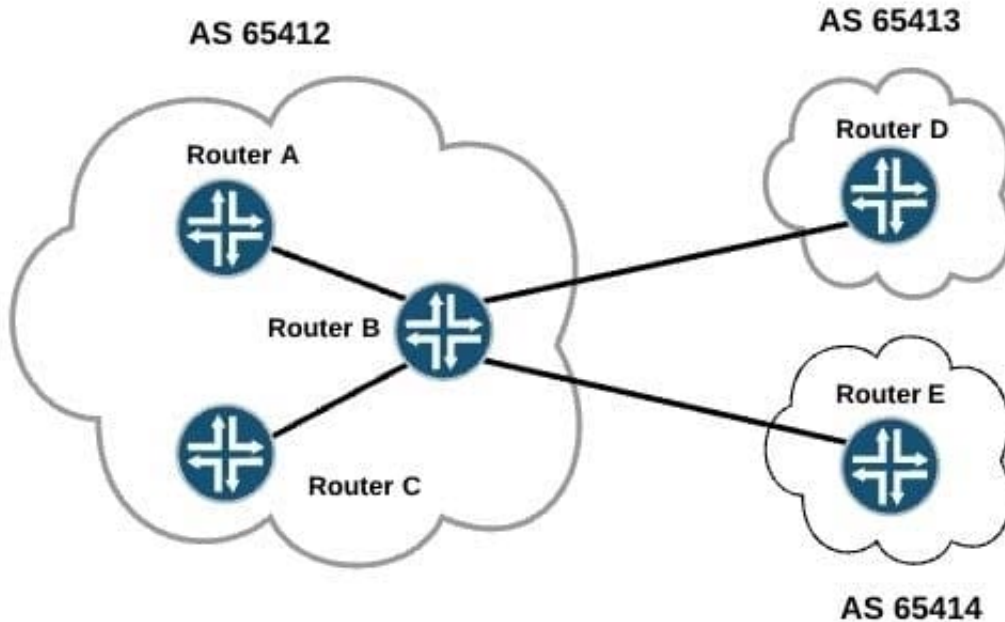
<https://www.lead4pass.com/jn0-361.html>

100% Passing Guarantee
100% Money Back Assurance

Following Questions and Answers are all new published by Juniper
Official Exam Center

-  **Instant Download** After Purchase
-  **100% Money Back** Guarantee
-  **365 Days** Free Update
-  **800,000+** Satisfied Customers



QUESTION 1

In the exhibit, all devices are sending routes to Router B. Which routes will be advertised from Router B to Router C?

- A. BGP routes learned from Router A only
- B. BGP routes learned from Router E only
- C. BGP routes learned from Routers D and E only
- D. BGP routes learned from Routers A, D, and E

Correct Answer: C

Router B will advertise BGP routes learned from Routers D and E to Routers A and C (EBGP to IBGP). A BGP router never readvertises IBGP learned routes to other IBGP peers.

QUESTION 2

You are troubleshooting an adjacency formation problem in OSPF using traceoptions. Which command is used to view the output of a traceoptions file called trace-ospf?

- A. show log trace-ospf
- B. file show /log/trace-ospf
- C. monitor trace-ospf
- D. show system syslog

Correct Answer: A

The trace output (debug information) is directed to the named log file, which is stored in the /var/log directory. You can view the output as a log file using the "show log" command, or in real-time using the "monitor start" command

QUESTION 3

You would like two LDP routers on opposite sides of your network to become neighbors. Which LDP message is used to form this relationship?

- A. basic discovery
- B. extended discovery
- C. peer discovery
- D. remote discovery

Correct Answer: B

QUESTION 4

Click the Exhibit.

```
[edit routing-options static]
user@router# show
route 0.0.0/0 next-hop 10.0.1.1;
route 192.168.5.0/24{
    next-hop 172.16.1.2;
    resolve;
}
```

Referring to the configuration in the exhibit, which statement is true?

- A. The next-hop 172.16.1.2 must be directly connected to the router for route 192.168.5.0/24 to be active.
- B. The next-hop 172.16.1.2 must be part of an active route in route table inet.0 for route 192.168.5.0/24 to be active.
- C. The next-hop 172.16.1.2 must respond to ping commands for the route 192.168.5.0/24 to be active.
- D. The next-hop 172.16.1.2 must be active in route table inet.3 for the route 192.168.5.0/24 to be active.

Correct Answer: B

QUESTION 5

Which bridging mechanism is used to ensure that only active entries are in the bridge table?

- A. learning
- B. forwarding
- C. flooding
- D. filtering
- E. aging

Correct Answer: E

Aging is used to ensure that the bridge table remains current by removing the stale entries.

QUESTION 6

Which command will display the number of IS-IS packets sent and received on a Junos device?

- A. show isis packets
- B. show isis spf log
- C. show isis statistics
- D. show isis exchanges

Correct Answer: C

The "show isis statistics" command verifies whether the device is sending and receiving IS-IS packets.

QUESTION 7

What is the purpose of a route target community in a Layer 3 VPN?

- A. The community value is used to identify routes that should be imported by remote PEs.
- B. The community value is used to determine valid remote devices when signaling a Layer 3 VPN.
- C. The community value is used to identify the source of incoming routes.
- D. The community value is used to determine transit devices when signaling a Layer 3 VPN.

Correct Answer: A

QUESTION 8

Which statement is true about routing instances on Junos devices?

- A. Routing information cannot be shared between routing instance.
- B. Each routing protocol runs in a separate routing instance.
- C. Junos device support only one routing instance.
- D. Each routing instance is a unique grouping of routing tables, interfaces, and routing protocol parameters.

Correct Answer: D

QUESTION 9

By default, which load-balancing algorithm does the Junos OS use for BGP routes?

- A. per-flow
- B. per-prefix
- C. per-packet
- D. per-neighbor

Correct Answer: B

By default, the Junos OS uses per-prefix load balancing for BGP routes.

QUESTION 10

Which three statements are correct about VRRP? (Choose three.)

- A. It requires speakers to be configured with BFD.
- B. It uses a virtual router MAC address for LAN communications.
- C. It uses multicast address 224.0.0.18.
- D. It is confined to the local network with a TTL of 255.
- E. It uses the virtual router's lo0 address for LAN communications.

Correct Answer: BCD

QUESTION 11

Click the Exhibit button.

```
[edit]
user@host# show routing-options
static {
    route 172.29.0.0/24 {
        next-hop 172.15.27.1;
        no-readvertise;
    }
    route 172.28.0.0/24 next-hop 172.15.27.1;
    route 172.29.0.0/16 next-hop 172.15.27.1;
    route 172.29.0.0/27 next-hop 172.15.27.1;
    route 172.29.0.0/8 next-hop 172.15.27.1;
}

[edit]
user@host# show policy-options
policy-statement export-static-to-ospf {
    term match-key-static-routes {
        from {
            protocol static;
            route-filter 172.29.0.0/16 longer;
        }
        then accept;
    }
}
```

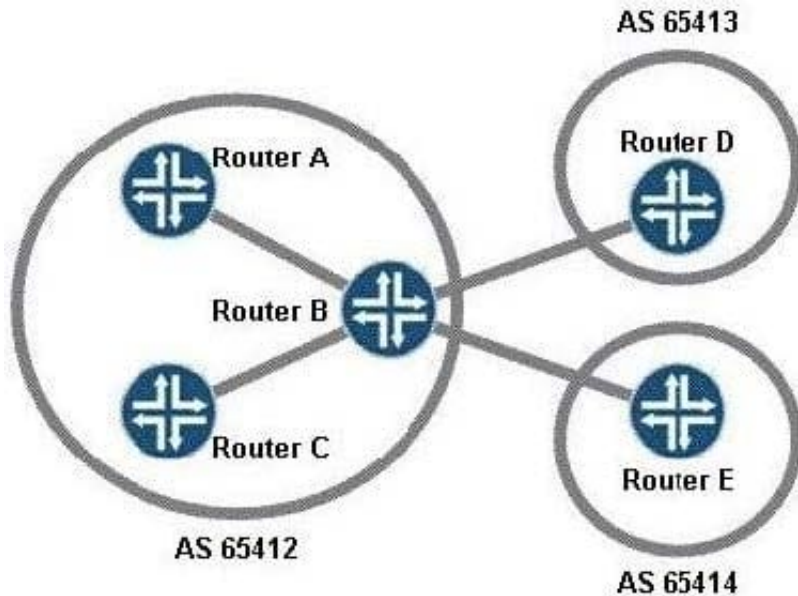
Referring to the exhibit, which static route will be exported into OSPF?

- A. 172.29.0.0/16
- B. 172.29.0.0/17
- C. 172.28.0.0/24
- D. 172.29.0.0/24

Correct Answer: D

QUESTION 12

Click the Exhibit button.



In the exhibit, all routers are sending routes to Router B. Which routes will be advertised from Router B to Router E?

- A. BGP routes learned from Router A only
- B. BGP routes learned from Router D only
- C. BGP routes learned from Routers A and C only
- D. BGP routes learned from Routers A, C, and D only

Correct Answer: D

QUESTION 13

You have been asked to provide three commands helpful in troubleshooting OSPF adjacencies.

Which three commands would be helpful? (Choose three.)

- A. show ospf database
- B. show ospf summary
- C. show ospf interface
- D. show ospf adjacency
- E. show ospf neighbor

Correct Answer: ACE

show ospf database, interface, and neighbor would provide detailed information about the OSPF database, interfaces running OSPF, and information about the OSPF neighbors. show ospf summary only provides a high-level information, while show ospf adjacency does not exist.

QUESTION 14

A route to the same destination is received from two different BGP sources.

Which criterion is considered first to determine the active BGP route?

- A. cluster length
- B. AS-path length
- C. lowest RID
- D. local preference

Correct Answer: D

QUESTION 15

What is the default metric for IS-IS interfaces?

- A. 1
- B. 10
- C. it depends on the bandwidth
- D. it depends on the link type

Correct Answer: B

The protocol IS-IS does have an ability to use reference bandwidth to dynamically calculate link costs, but the default behavior has a value of 10 assigned to all transit interfaces.

[JN0-361 PDF Dumps](#)

[JN0-361 VCE Dumps](#)

[JN0-361 Study Guide](#)