

# JN0-343<sup>Q&As</sup>

Juniper Networks Certified Internet Specialist (JNCIS-ENT)

## Pass Juniper JN0-343 Exam with 100% Guarantee

Free Download Real Questions & Answers **PDF** and **VCE** file from:

<https://www.leads4pass.com/jn0-343.html>

100% Passing Guarantee  
100% Money Back Assurance

Following Questions and Answers are all new published by Juniper  
Official Exam Center

- ⚙️ **Instant Download** After Purchase
- ⚙️ **100% Money Back** Guarantee
- ⚙️ **365 Days** Free Update
- ⚙️ **800,000+** Satisfied Customers



## QUESTION 1

When is MAC limiting performed on a frame from an unknown source MAC address?

- A. when the ingress PFE sends header information to RE
- B. when the ingress PFE performs a MAC address lookup
- C. when the PFE adds the MAC address to the bridge table
- D. when the RE adds the MAC address to the bridge table

Correct Answer: A

---

## QUESTION 2

You have altered the factory-default storm control configuration so that interfaces on which the storm control level is exceeded are temporarily shut down for five minutes. Which two methods can you use to monitor that the auto recovery feature is working? (Choose two.)

- A. Issue the monitor traffic violations command.
- B. Issue the monitor start messages command.
- C. Issue the show storm-control violations command.
- D. Issue the show ethernet-switching interfaces command.

Correct Answer: BD

---

## QUESTION 3

What are two methods reducing the size of an OSPF link-state database? (Choose two.)

- A. Use identical link metrics where possible.
- B. Use stub areas where possible.
- C. Use unique router IDs where possible.
- D. Use point-to-point interface types where possible.

Correct Answer: BD

---

## QUESTION 4

Which bridging mechanism is used to obtain the MAC addresses of nodes on the network?

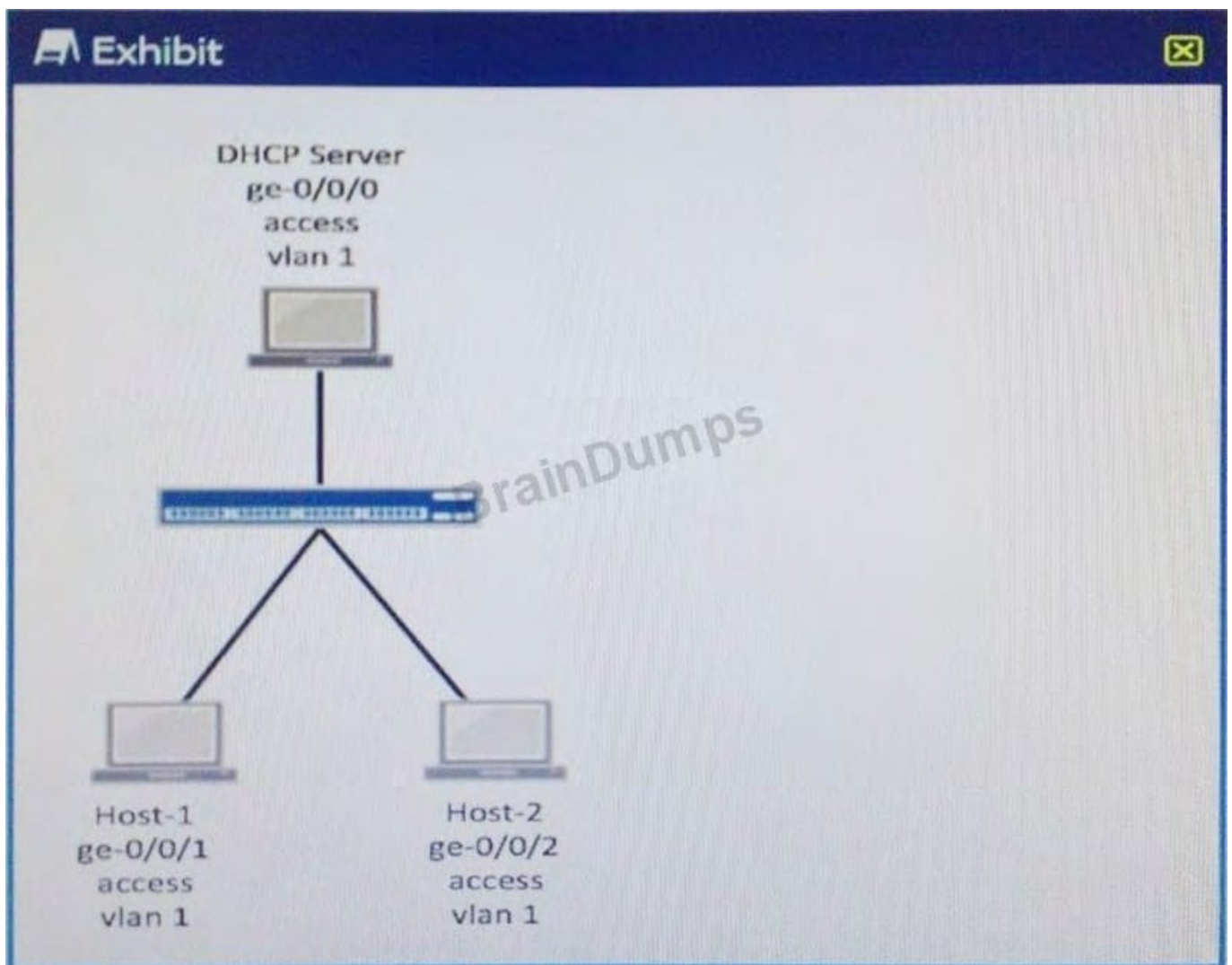
- A. listening

- B. aging
- C. learning
- D. filtering

Correct Answer: C

#### QUESTION 5

You are notified that clients connected to your EX Series switch are not receiving IP addresses from the DHCP server. Based on the following diagram, what could be a reason for this?



- A. The DHCP server's ge-0/0/0 interface has not been configured as a trusted interface.
- B. The dynamic ARP inspection feature needs to be enabled on the ge-0/0/0 interface.
- C. The DHCP relay setting in the forwarding-options hierarchy has not been configured.
- D. The location information is not being inserted into the DHCP option 82 requests.

Correct Answer: A

---

## QUESTION 6

Which two events trigger an IS-IS LSP to be sent to a neighboring IS? (Choose two)

- A. When a new IS-IS neighbor is detected.
- B. When the cost of a link to an existing IS-IS neighbor has changed.
- C. When a CSNP requests missing information.
- D. When a device does not receive an expected IIH PDU.

Correct Answer: AB

---

## QUESTION 7

How does a Level 1 IS-IS router reach destinations outside its own area?

- A. through the closest Level 1 router
- B. along the best path to the destination
- C. through the closest Level 1/2 router
- D. through the closest designated intermediate system (DIS)

Correct Answer: C

---

## QUESTION 8

Which Junos platform provides Ethernet switching services?

- A. M Series
- B. T Series
- C. EX Series
- D. MAG Series

Correct Answer: C

---

## QUESTION 9

You want to secure an interface on a switch so that a rogue switch running STP can not be plugged into this interface. What accomplishes this objective?

- A. BPDU protection
- B. edge protection
- C. rogue protection
- D. root protection

Correct Answer: A

---

## QUESTION 10

You want to configure a static route to become available when the primary route fails. Which parameter accomplishes this in the Junos OS?

- A. secondary
- B. qualified-next-hop
- C. backup-route
- D. resolve

Correct Answer: B

---

## QUESTION 11

Which approach can you use to implement IPv6-over-IPv4 tunneling?

- A. IPv4-compatible addressing
- B. dual-stack implementations
- C. IPsec
- D. 6PE

Correct Answer: C

---

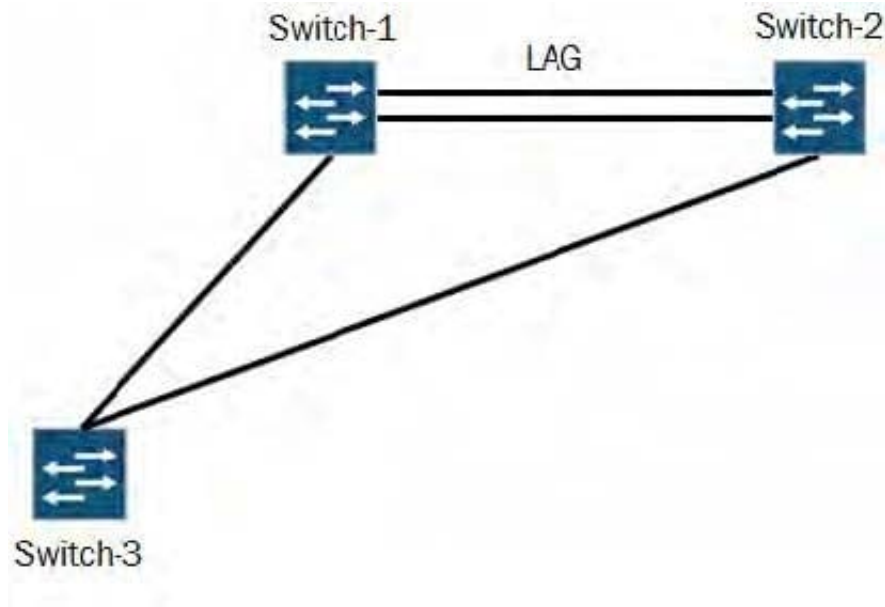
## QUESTION 12

Which two port security features are dependent on the DHCP snooping database? (Choose two.)

- A. IP source guard
- B. MAC limiting
- C. dynamic ARP inspection
- D. storm control

Correct Answer: AC

---

**QUESTION 13**

Your current network is using Switch-1 and Switch-2 as a Layer 3 core pair. You change the EX series switch core into a VC and configure the links between the switches to be a LAG.

Assuming that Switch-3 is operating at Layer 2 only, which two protocols would be removed from this portion of the network? (Choose two.)

- A. GRES
- B. BFD
- C. VRRP
- D. STP

Correct Answer: CD

---

**QUESTION 14**

Which three statements are true when determining the master VRRP router? (Choose three.)

- A. The lower priority is preferred.
- B. The highest primary address is preferred if the priority is the same.
- C. The router with preempt configured is the master.
- D. The higher priority is preferred.
- E. The router with the same primary and virtual address is the master.

Correct Answer: BCD

---

## QUESTION 15

The area border router (ABR) between the OSPF backbone area and a not-so-stubby area (NSSA) will suppress which two LSA types for route updates into the NSSA? (Choose two.)

- A. Type 3
- B. Type 4
- C. Type 5
- D. Type 7

Correct Answer: BC

[JN0-343 PDF Dumps](#)

[JN0-343 Exam Questions](#)

[JN0-343 Braindumps](#)