

## JN0-1332<sup>Q&As</sup>

Security Design Specialist (JNCDS-SEC)

**Pass Juniper JN0-1332 Exam with 100% Guarantee**

Free Download Real Questions & Answers **PDF** and **VCE** file from:

<https://www.leads4pass.com/jn0-1332.html>

100% Passing Guarantee  
100% Money Back Assurance

Following Questions and Answers are all new published by Juniper  
Official Exam Center

-  **Instant Download** After Purchase
-  **100% Money Back** Guarantee
-  **365 Days** Free Update
-  **800,000+** Satisfied Customers



## QUESTION 1

You are designing an enterprise WAN network that must connect multiple sites. You must provide a design proposal for the security elements needed to encrypt traffic between the remote sites.

Which feature will secure the traffic?

- A. BFD
- B. OSPF
- C. GRE
- D. IPsec

Correct Answer: D

---

## QUESTION 2

You are asked to virtualize numerous stateful firewalls in your customer's data center. The customer wants the solution to use the existing Kubernetes-orchestrated architecture.

Which Juniper Networks product would satisfy this requirement?

- A. vMX
- B. vSRX
- C. cSRX
- D. CTP Series

Correct Answer: C

Reference: [https://www.juniper.net/documentation/en\\_US/csr/topics/concept/security-csr-kubernetesoverview.html](https://www.juniper.net/documentation/en_US/csr/topics/concept/security-csr-kubernetesoverview.html)

---

## QUESTION 3

You are designing a data center security solution for a customer. The customer asks that you provide a DDoS solution. Several IPsec tunnels will be terminated at the data center gateway.

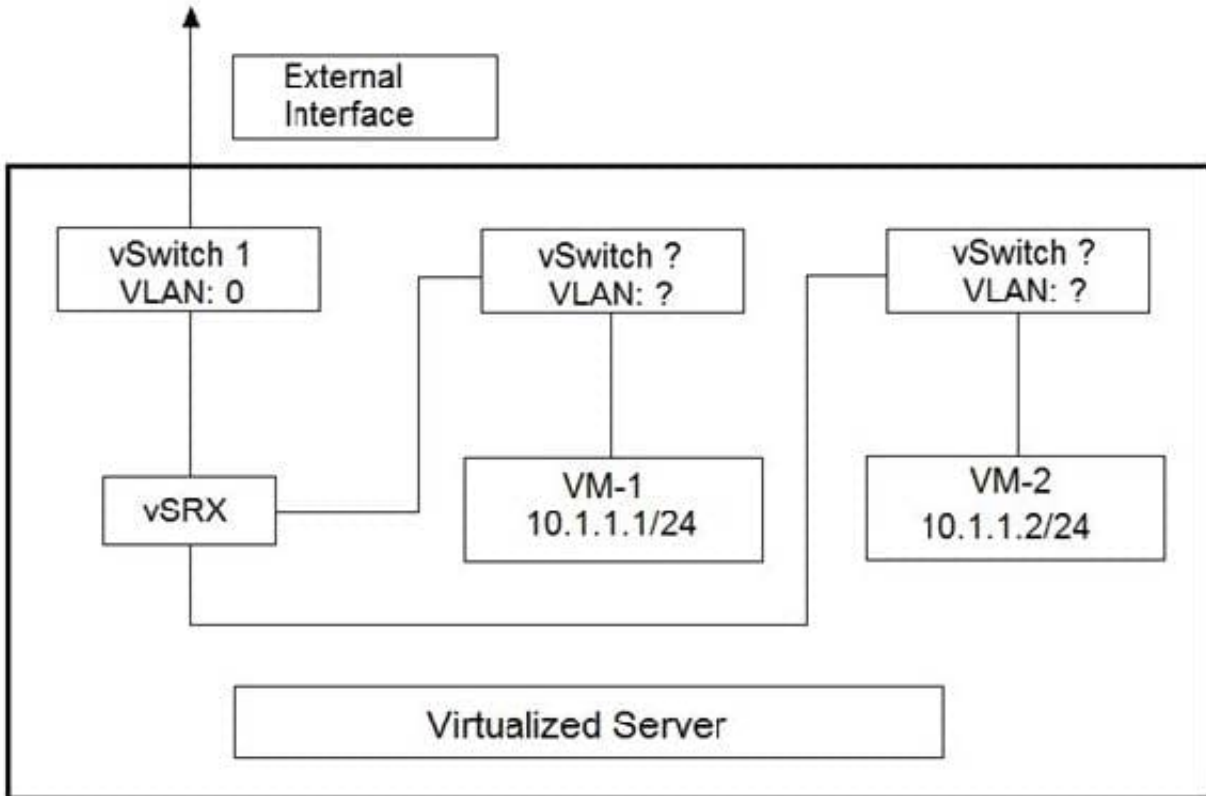
Which type of security is your customer asking you to implement?

- A. segmentation
- B. intra-data center policy enforcement
- C. perimeter protection
- D. compliance

Correct Answer: C

**QUESTION 4**

Click the Exhibit button.



You are designing the virtualized server deployment shown in the exhibit in your data center. The vSRX device is acting as a Layer 2 firewall and the two VMs must communicate through the vSRX device.

Which two actions must you perform to accomplish this task? (Choose two.)

- A. Place both VMs in the same vSwitch
- B. Place both VMs in the same VLAN
- C. Place both VMs in different vSwitches
- D. Place both VMs in different VLANs

Correct Answer: BC

**QUESTION 5**

You are designing an SDN security solution for a new campus network. The network will consist of Juniper Networks Policy Enforcer, Juniper Networks switches, third-party switches, and SRX Series devices. The switches and the SRX

Series devices will be used as security enforcement points.

Which component supports the SRX Series devices in this scenario?

- A. Security Director
- B. RADIUS server
- C. certificate server
- D. DHCP server

Correct Answer: A

Reference: [https://www.juniper.net/documentation/en\\_US/release-independent/solutions/topics/concept/sg-006a-sdsn-product-components.html](https://www.juniper.net/documentation/en_US/release-independent/solutions/topics/concept/sg-006a-sdsn-product-components.html)

---

## QUESTION 6

Your company has 500 branch sites and the CIO is concerned about minimizing the potential impact of a VPN router being stolen from an enterprise branch site. You want the ability to quickly disable a stolen VPN router while minimizing administrative overhead.

Which solution accomplishes this task?

- A. Implement a certificate-based VPN using a public key infrastructure (PKI)
- B. Modify your IKE proposals to use Diffie-Hellman group 14 or higher
- C. Use firewall filters to block traffic from the stolen VPN router
- D. Rotate VPN pre-shared keys every month

Correct Answer: C

## QUESTION 7

Which solution provides a certificate based on user identity for network access?

- A. network access control
- B. user firewall
- C. IP filtering
- D. MAC filtering

Correct Answer: A

Reference: [https://www.juniper.net/documentation/en\\_US/junos/topics/topic-map/security-user-authcontrol-network-access.html](https://www.juniper.net/documentation/en_US/junos/topics/topic-map/security-user-authcontrol-network-access.html)

---

**QUESTION 8**

You are deploying Security Director with the logging and reporting functionality for VMs that use SSDs. You expect to have approximately 20,000 events per second of logging in your network.

In this scenario, what is the minimum number of logging and reporting devices that should be used?

- A. 2
- B. 4
- C. 1
- D. 3

Correct Answer: C

Reference: [https://www.juniper.net/documentation/en\\_US/junos-space17.1/topics/task/multi-task/junosspace-sd-log-collector-installing.html](https://www.juniper.net/documentation/en_US/junos-space17.1/topics/task/multi-task/junosspace-sd-log-collector-installing.html)

---

**QUESTION 9**

You are asked to design a secure enterprise WAN where all payload data is encrypted and branch sites communicate directly without routing all traffic through a central hub.

Which two technologies would accomplish this task? (Choose two.)

- A. group VPN
- B. AutoVPN
- C. MPLS Layer 3 VPN
- D. Auto Discovery VPN

Correct Answer: CD

Reference: [https://www.juniper.net/documentation/en\\_US/junos/topics/topic-map/security-auto-discoveryvpns.html](https://www.juniper.net/documentation/en_US/junos/topics/topic-map/security-auto-discoveryvpns.html)

---

**QUESTION 10**

You are designing a DDoS solution for an ISP using BGP FlowSpec. You want to ensure that BGP FlowSpec does not overwhelm the ISP's edge routers.

Which two requirements should be included in your design? (Choose two.)

- A. Specify a maximum number BGP FlowSpec prefixes per neighbor
- B. Implement a route policy to limit advertised routes to /24 subnets
- C. Implement a route policy to limit advertised routes to any public IP space
- D. Specify a maximum number of BGP FlowSpec prefixes per device

Correct Answer: CD

Reference: [https://www.juniper.net/documentation/en\\_US/day-one-books/DO\\_BGP\\_FlowSpec.pdf](https://www.juniper.net/documentation/en_US/day-one-books/DO_BGP_FlowSpec.pdf)

---

## QUESTION 11

You are working on a network design that will use EX Series devices as Layer 2 access switches in a campus environment. You must include Junos Space in your design. You want to take advantage of security features supported on the devices.

Which two security features would satisfy this requirement? (Choose two.)

- A. SDSN
- B. Stateful Firewall
- C. Access Control
- D. ALG

Correct Answer: BC

Reference: [https://www.juniper.net/documentation/en\\_US/junos/topics/concept/ex-series-securityoverview.html](https://www.juniper.net/documentation/en_US/junos/topics/concept/ex-series-securityoverview.html)

---

## QUESTION 12

You are designing a network management solution that provides automation for Junos devices. Your customer wants to know which solutions would require additional software to be deployed to existing Junos devices.

Which two solutions satisfy this scenario? (Choose two.)

- A. SaltStack
- B. Ansible
- C. Puppet
- D. Chef

Correct Answer: AD

---

## QUESTION 13

You are asked to provide a design proposal for a campus network. As part of the design, the customer requires that all end user devices must be authenticated before being granted access to their Layer 2 network.

Which feature meets this requirement?

- A. IPsec
- B. 802.1X

C. NAT

D. ALGs

Correct Answer: B

Reference: [https://www.juniper.net/documentation/en\\_US/junos/topics/topic-map/802-1x-authenticationswitching-devices.html](https://www.juniper.net/documentation/en_US/junos/topics/topic-map/802-1x-authenticationswitching-devices.html)

---

## QUESTION 14

What is the maximum number of SRX Series devices in a chassis cluster?

A. 2

B. 3

C. 4

D. 5

Correct Answer: A

Reference: <https://www.oreilly.com/library/view/juniper-srx-series/9781449339029/ch07.html>

---

## QUESTION 15

You are designing a data center security architecture. The design requires automated scaling of security services according to real-time traffic flows.

Which two design components will accomplish this task? (Choose two.)

A. telemetry with an SDN controller

B. JFlow traffic monitoring with event scripts

C. VNF security devices deployed on x86 servers

D. VRF segmentation on high-capacity physical security appliances

Correct Answer: BC

Reference: [https://www.juniper.net/documentation/en\\_US/learn-about/LearnAbout\\_NFV.pdf](https://www.juniper.net/documentation/en_US/learn-about/LearnAbout_NFV.pdf)

[JN0-1332 Practice Test](#)

[JN0-1332 Study Guide](#)

[JN0-1332 Exam Questions](#)