

## HPE6-A45<sup>Q&As</sup>

Implementing Aruba Campus Switching solutions

### Pass HP HPE6-A45 Exam with 100% Guarantee

Free Download Real Questions & Answers **PDF** and **VCE** file from:

<https://www.leads4pass.com/hpe6-a45.html>

100% Passing Guarantee  
100% Money Back Assurance

Following Questions and Answers are all new published by HP Official Exam Center

- ⚙️ **Instant Download** After Purchase
- ⚙️ **100% Money Back** Guarantee
- ⚙️ **365 Days** Free Update
- ⚙️ **800,000+** Satisfied Customers



## QUESTION 1

What is a typical reason to implement MAC authentication on an AOS-Switch?

- A. to filter traffic at the edge, based on multiple criteria in the MAC header
- B. to provision switch ports to support devices such as IP phones or printers
- C. to enhance the security of an 802.1X solution
- D. to control management access to the switch CLI based on device, as well as user credentials

Correct Answer: C

## QUESTION 2

A network administrator wants to use Aruba AirWave to audit an AOS-Switch configuration. What is one requirement?

- A. The switch defines the AirWave IP address in its zero touch provisioning (ZTP) profile.
- B. The switch specifies the AirWave IP address for the RADIUS server used for Telnet and SSH authentication.
- C. The switch is authorized in AirWave, which has the correct credentials to log in as a CLI manager.
- D. The switch is set to Manage Read-Write mode in AirWave but is not set to Monitor Only + Firmware Updates.

Correct Answer: B

## QUESTION 3

Refer to the exhibit.

```
Switch-1# show access-list resources
Resource usage in Policy Enforcement Engine

Ingress Policy Enforcement Engine Rules

Resource usage in Policy Enforcement Engine
```

Ports	Rules		Rules Used							
	Available	ACL	CoS	IDM	VT	Mirr	PBR	OF	Other	
1-28	320	3740	0	0	0	0	0	0	10	

An AOS-Switch has an extended ACL that is applied to several physical interfaces.

-New interfaces have been brought online.

-The ACL has been applied to them as well.

A network administrator sees the output in the exhibit and is concerned that the switch will reach the limit for rules.

What can the administrator do to address this concern?

- A. Resequence the ACL with less space in between the entries.
- B. Enable ACL grouping, and apply ACLs as shared ACLs.
- C. Reconfigure the ACL as a standard ACL, and then reapply it.
- D. Remove static ACLs, and have the RADIUS server send dynamic ACLs.

Correct Answer: A

## QUESTION 4

Refer to the exhibits. Exhibit 1

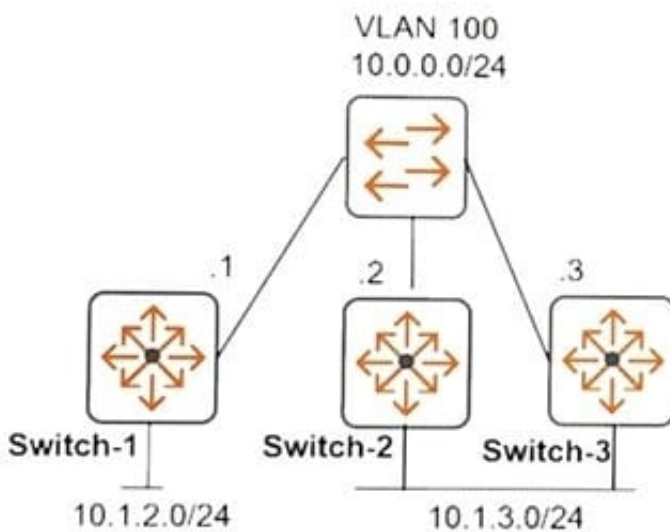


Exhibit 2

```
Switch-2# show log -r
E 09/02/17 04:50:23 02703 OSPF: AM1: ADJCHG: Neighbor with Router ID 10.0.0.1
    on vlan-100 moved to Down state - adjacency lost.
W 09/02/17 04:50:23 05076 bfd: AM1: BFD session 1 error NeighborSessionDown.
I 09/02/17 04:50:23 05080 bfd: AM1: Session 1 under OSPF changed to DOWN.
```

Exhibit 1 shows the topology for the network. The network administrator sees the log entries shown in Exhibit 2. Which type of failure is indicated?

- A. A link between Switch-1 and Switch-2 went down. BFD detected the lost connectivity and behaved as expected.

- B. Graceful restart helper was not enabled on Switch-2, so BFD was unable to operate correctly, and the session was taken down.
- C. A hardware issue caused a unidirectional link; BFD detected the issue at Layer 2 and prevented a broadcast storm.
- D. BFD was set up incorrectly on Switch-2, so it caused Switch-2 to lose adjacency with Switch-1 rather than repair the session.

Correct Answer: D

**QUESTION 5**

Refer to the exhibits. Exhibit 1.

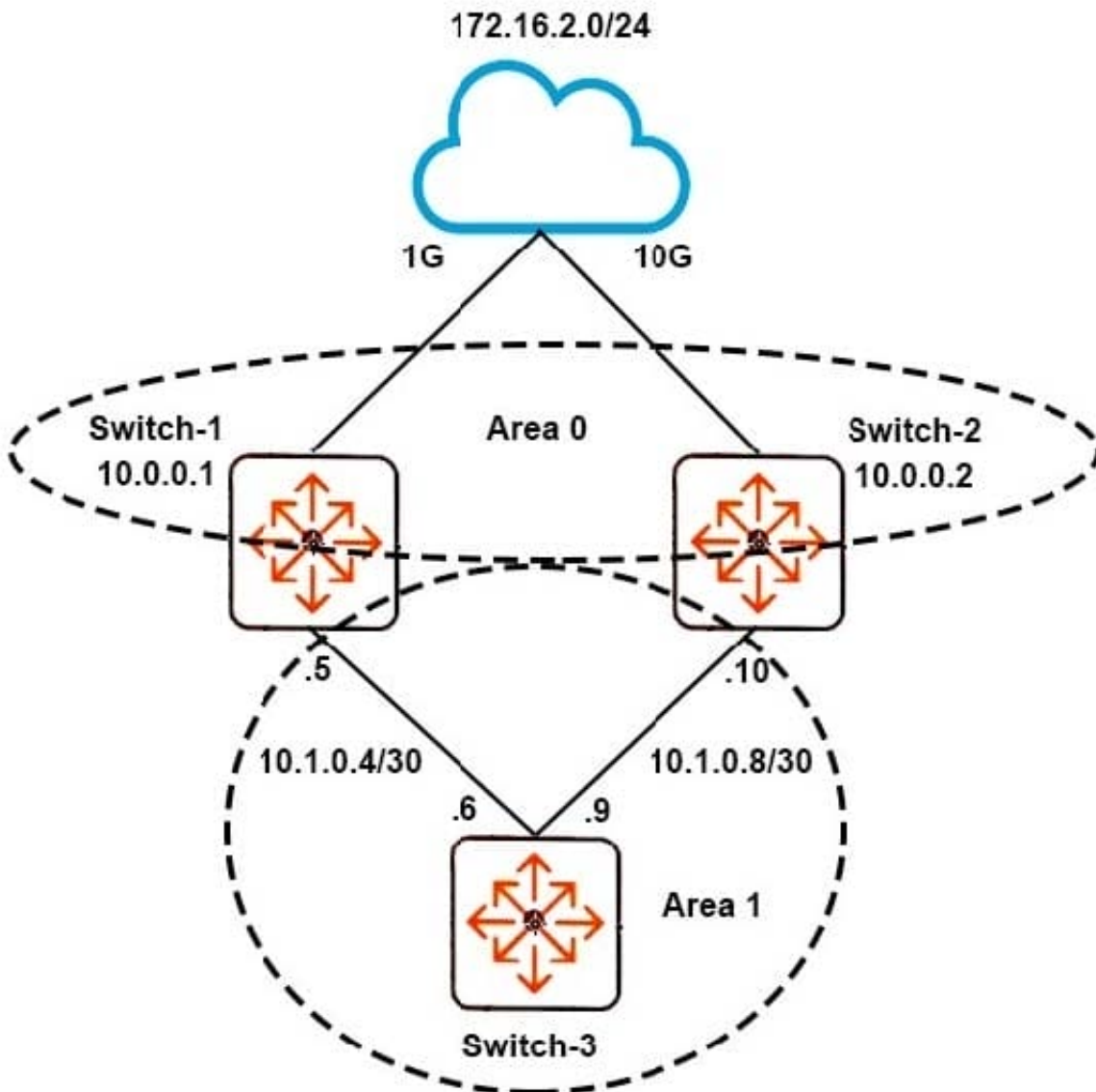


Exhibit 2.

```
Switch-3 partial running-config
vlan 104
  ip address 10.1.0.6 255.255.255.252
  ip ospf 10.1.0.6 area 0.0.0.1
  untagged a1
vlan 108
  ip address 10.1.0.10 255.255.255.252
  ip ospf area 0.0.0.1
  untagged a2
router ospf
  area 0.0.0.1
```

```
Switch-3# show ip ospf external-link-state detail
OSPF External LSAs
```

```
LSA Age: 24
LSA Type: 0x5 (AS External LSA)
Advertising Router : 10.0.0.1
Link State ID : 172.16.0.0
LSA Sequence : 0x80000001
LSA Checksum : 0x7966
LSA Option Bits : E=0 MC=0 N/P=0 EA=0 DC=0
LSA Metric : 10
Bit E : 1 (External Metric Type2)
Forwarding Address : 0.0.0.0
External Route Tag : 0
```

```
LSA Age: 30
LSA Type : 0x5 (AS External LSA)
Advertising Router : 10.0.0.2
Link State ID : 172.16.0.0
LSA Checksum : 0x7966
LSA Metric : 10
Bit E : 1 (External Metric Type2)
Forwarding Address : 0.0.0.0
External Route Tag : 0
```

The exhibits show the current operational state for routes on Switch-3 to send all traffic to 172.16.0.0/16 through Switch-2 during normal operation.

Which single configuration change creates the desired behavior?

A. Set a cost of 100 in the redistribute static command on Switch-2 to change the external LSA metric.

- B. Change the OSPF external metric type to 1 on Switch-1, and set a cost of 100 on Switch-3 VLAN 104.
- C. Change the OSPF external metric type to 1 on Switch-1, and set a cost of 100 on Switch-3 VLAN 108.
- D. Set a cost of 100 in the redistribute static command on Switch-1 to change the external LSA metric.

Correct Answer: D

**QUESTION 6**

Refer to the exhibits. Exhibit 1

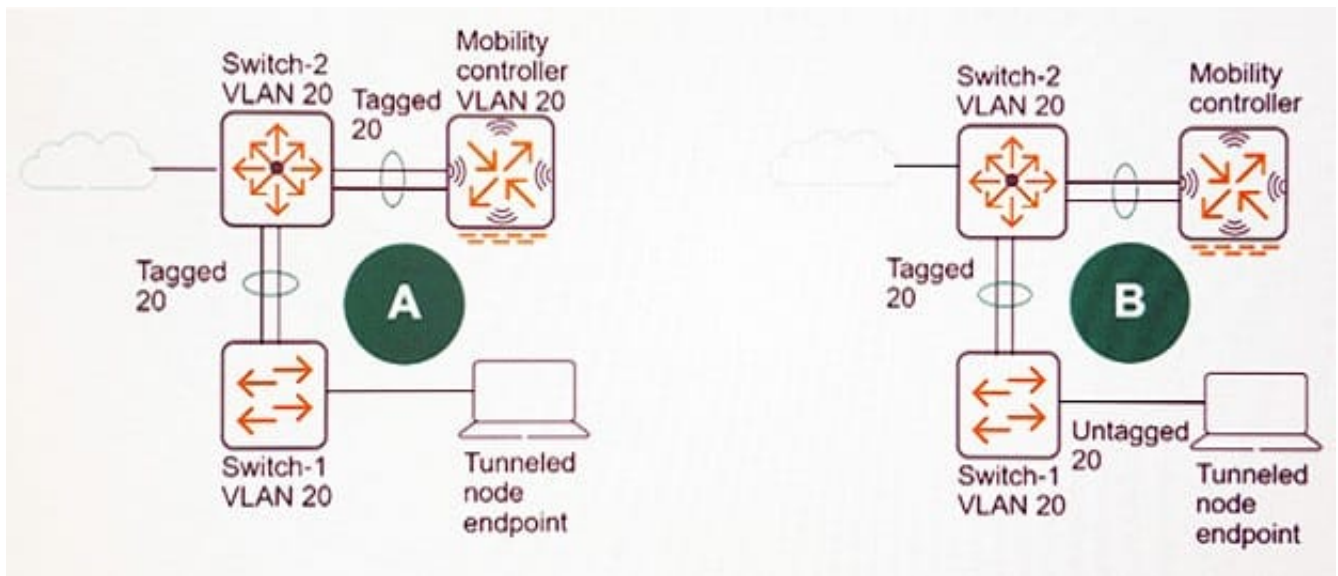
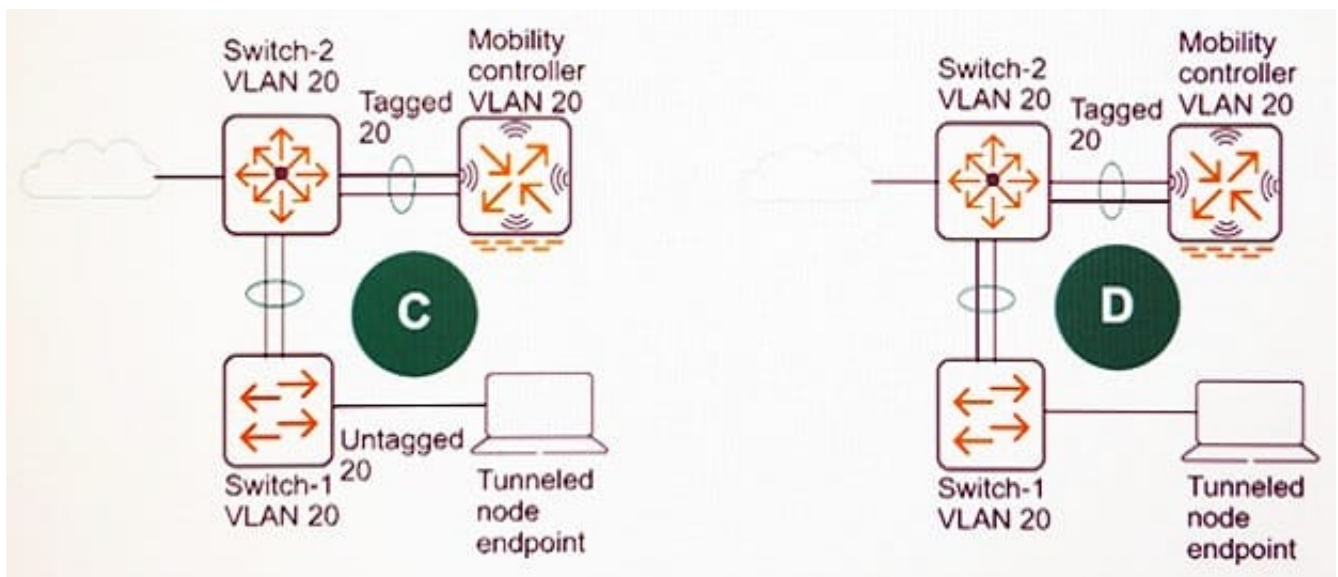


Exhibit 2



In the exhibits, VLAN 20 under a device name indicates that the device is configured with that VLAN. The exhibits also indicate whether VLAN 20 is statically configured on each link, either as an untagged or a tagged VLAN. If the link has no label, VLAN 20 is not statically configured on that link.

A network administrator needs to deploy AOS-Switches that use port-based tunneled node. The plan calls for tunneled-node endpoints to be assigned to VLAN 20 and for the Aruba Mobility Controller to handle the tunneled-node traffic at Layer 2.

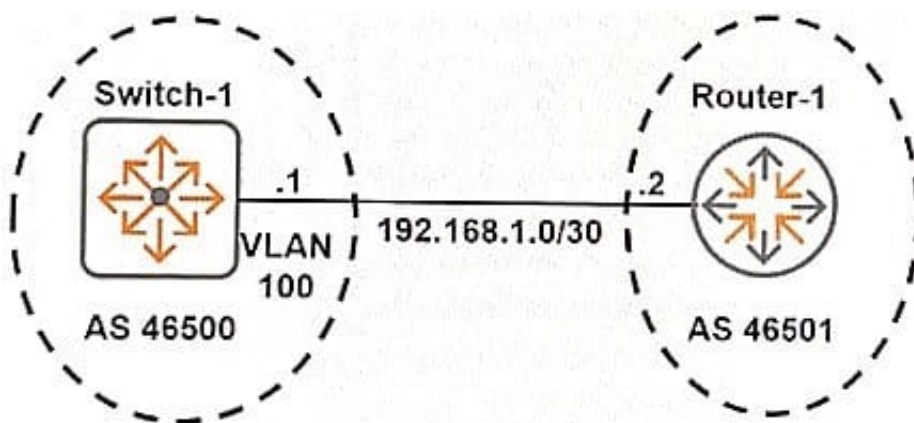
Which exhibit shows the correct plan for VLAN 20 in the wired infrastructure?

- A. A
- B. B
- C. C
- D. D

Correct Answer: B

**QUESTION 7**

Refer to the exhibit.



Switch-1 runs BGP. What should the network administrator do to permit Switch-1 to establish a neighbor relationship with Router-1?

- A. Configure 192.168.1.2 as a neighbor manually within the BGP context.
- B. Specify 192.168.1.0/30 with the network command in the BGP context.
- C. Enable BGP on VLAN 100.
- D. Set the BGP AS number to 46501.

Correct Answer: A

**QUESTION 8**

Which switches can be deployed in a mesh topology for backplane stacking?

- A. Aruba 2920 switches
- B. Aruba 2930F switches
- C. Aruba 2930M switches
- D. Aruba 3810 switches

Correct Answer: D

Reference: <https://www.hpe.com/us/en/product-catalog/networking/networking-switches/pip.aruba-3810switch-series.1008605435.html>

---

## QUESTION 9

Which potential security issue does the captive portal URL hash key on an AOS-Switch help to prevent?

- A. unauthenticated guests to receive access before they log in to the captive portal
- B. unauthorized users to read the captive portal redirect URL in the AOS-Switch config
- C. users to change values in the URL that directs them to the captive portal
- D. hackers to eavesdrop on the RADIUS messages sent to ClearPass

Correct Answer: C

---

## QUESTION 10

Refer to the exhibits.

Exhibit 1



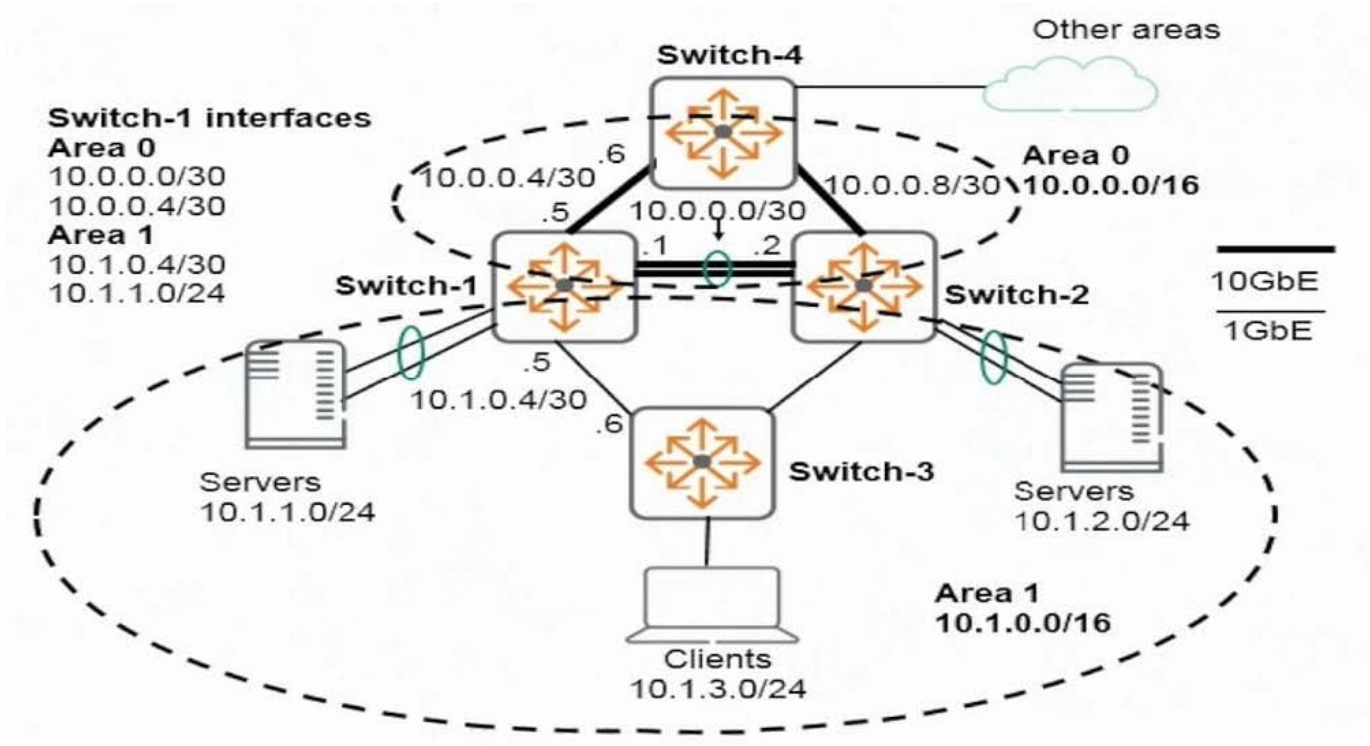


Exhibit 2

```
Switch-1# show ip route
IP Route Entries
```

Destination	Gateway	VLAN	Type	Sub-Type	Metric	Dist.
10.0.0.0/30	VLAN1000	1000	connected		5	0
10.0.0.4/30	VLAN1004	1004	connected		10	0
10.0.0.8/30	10.0.0.2	1000	ospf	InterArea	15	
110						
10.1.0.4/30	VLAN104	104	connected		100	0
10.1.0.8/30	10.1.0.6	104	ospf	IntraArea	200	
110						
10.1.0.8/30	10.1.0.6	104	ospf	IntraArea	200	110
10.1.1.0/24	VLAN110	110	connected		50	0
10.1.2.0/24	10.1.0.6	104	ospf	IntraArea	250	110
10.1.3.0/24	10.1.0.6	104	ospf	IntraArea	200	110
10.2.0.0/16	10.0.0.6	1004	ospf	InterArea	110	110
10.3.0.0/16	10.0.0.6	1004	ospf	InterArea	110	110
127.0.0.0/8	reject		static		0	0
127.0.0.1/32	lo0		connected		1	0

```
Switch-1# show ip ospf neighbor
OSPF Neighbor Information
```

Router ID	Pri	IP Address	NbIfState	State	QLen	Events	Status
2.2.2.2	1	10.0.0.2	BDR	FULL	0	6	None
3.3.3.3	1	10.1.0.6	BDR	FULL	0	6	None
4.4.4.4	1	10.0.0.6	BDR	FULL	0	6	None

Traffic between servers in Area 1 takes a sub-optimal path rather than the link dedicated to VLAN 1000, subnet 10.0.0.0/30. Based on the exhibits, what can administrators do to create a better path for this traffic?

- A. Decrease the OSPF cost on the VLAN 1000 interface on Switch-1 and Switch-2.

- B. Add a virtual OSPF link between Switch-1 and Switch-2.
- C. Add a VLAN in OSPF Area 1 on the link between Switch-1 and Switch-2.
- D. Make sure that OSPF is enabled in Area 0 on VLAN 1000 on both Switch-1 and Switch-2.

Correct Answer: C

**QUESTION 11**

How far do OSPF link state updates (LSUs) for Type 1 (Router) and Type 2 (Network) LSAs propagate?

- A. to every OSPF router in the local area
- B. to every OSPF router in all areas
- C. to every OSPF router in the local area and the backbone
- D. to every OSPF router in the network to which the LSU applies

Correct Answer: B

**QUESTION 12**

Refer to the exhibits. Exhibit 1

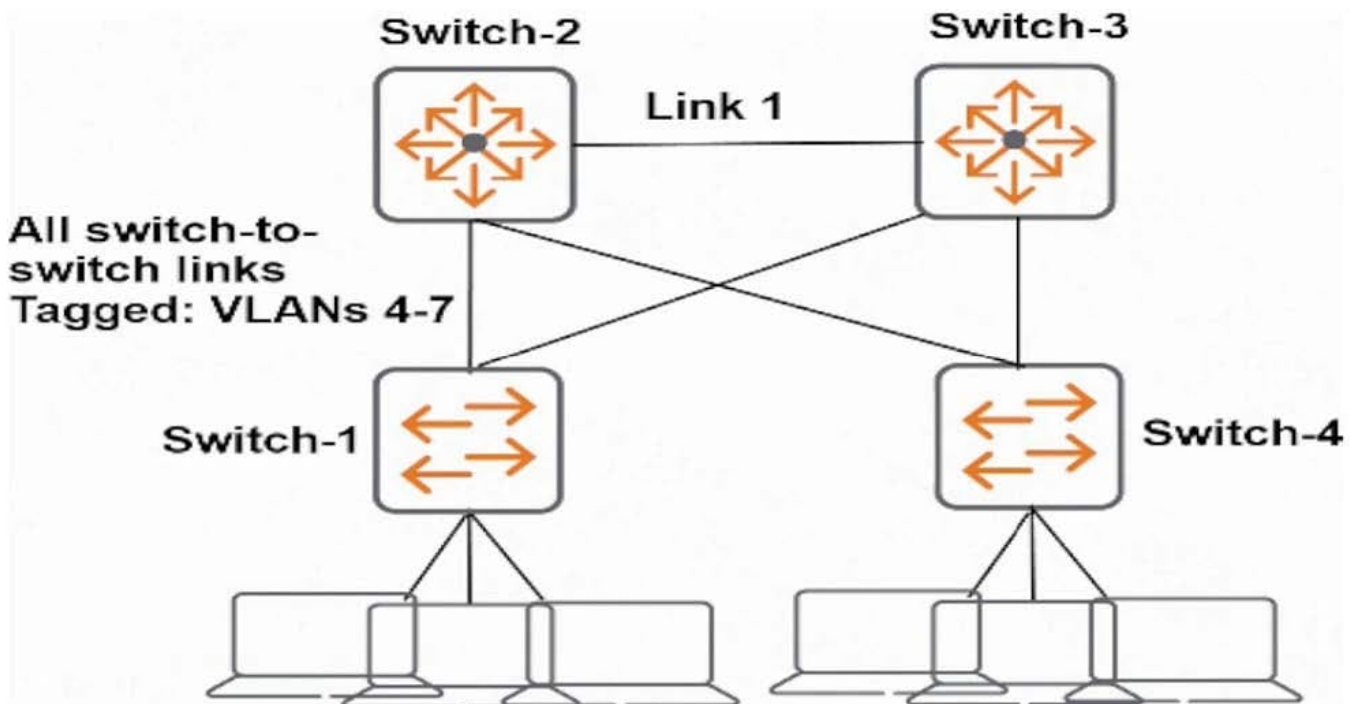


Exhibit 2

```
Switch-2# display vrrp
IPv4 Standby Information:
  Run Mode      : Standard
  Run Method    : Virtual MAC
Total number of virtual routers : 4
Interface      VRID  State      Run   Adver  Auth  Virtual
                Pri   Timer     Type   IP
-----
Vlan4          4    Master     254   1      None  10.1.4.1
Vlan5          5    Backup     100   1      None  10.1.5.1
Vlan6          6    Master     254   1      None  10.1.6.1
Vlan7          7    Backup     100   1      None  10.1.7.1
```

```
Switch-3# display vrrp
IPv4 Standby Information:
  Run Mode      : Standard
  Run Method    : Virtual MAC
Total number of virtual routers : 4
Interface      VRID  State      Run   Adver  Auth  Virtual
                Pri   Timer     Type   IP
-----
Vlan5          4    Backup     100   1      None  10.1.4.1
Vlan4          5    Master     254   1      None  10.1.5.1
Vlan7          6    Backup     100   1      None  10.1.6.1
Vlan6          7    Master     254   1      None  10.1.7.1
```

The company wants to minimize congestion on Link 1. Which spanning tree implementation meets this goal?

- A. Instance 1 = VLANs 4,6 Instance 2 = VLANs 5,7 Switch 2 instance 1 priority = 0 Switch 2 instance 2 priority = 1 Switch 3 instance 1 priority = 0 Switch 3 instance 2 priority = 1
- B. Instance 1 = VLANs 4-5 Instance 2 = VLANs 6-7 Switch 2 instance 1 priority = 0 Switch 2 instance 2 priority = 1 Switch 3 instance 1 priority = 0 Switch 3 instance 2 priority = 1
- C. Instance 1 = VLANs 4,6 Instance 2 = VLANs 5,7 Switch 2 instance 1 priority = 0 Switch 2 instance 2 priority = 1 Switch 3 instance 1 priority = 1 Switch 3 instance 2 priority = 0
- D. Instance 1 = VLANs 4-5 Instance 2 = VLANs 6-7 Switch 2 instance 1 priority = 0 Switch 2 instance 2 priority = 1 Switch 3 instance 1 priority = 1 Switch 3 instance 2 priority = 0

Correct Answer: C

**QUESTION 13**

An AOS-Switch needs to use captive portal to integrate with an Aruba ClearPass Guest solution. The solution should allow guests to connect their own devices to the network, be redirected to a portal, log in, and be granted access transparently.

What is one setting administrators should configure for this solution?

- A. ClearPass should be defined as the enhanced Web Auth (EWA) server.
- B. RADIUS MAC-Auth should be enabled on the guest ports.

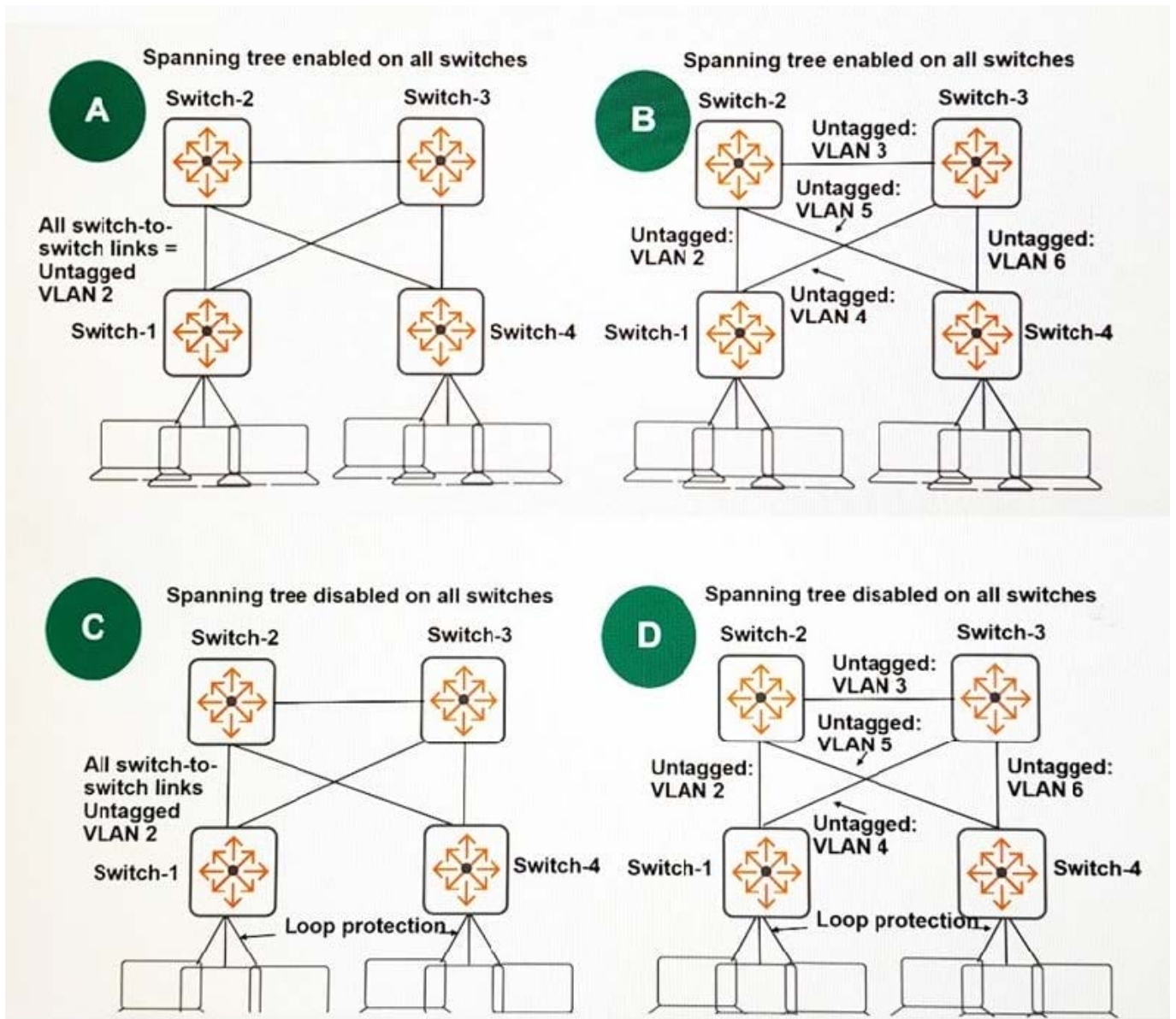
C. Web-Auth should be enabled on the guest ports.

D. BYOD redirect should be enabled globally.

Correct Answer: B

**QUESTION 14**

Refer to the exhibit.



Every switch in the exhibit will route traffic. The company requires a topology in which failover for switch-to-switch links is exclusively handled by the routing protocol and occurs as quickly as possible.

Which topology should the administrator use?

A. A

B. B

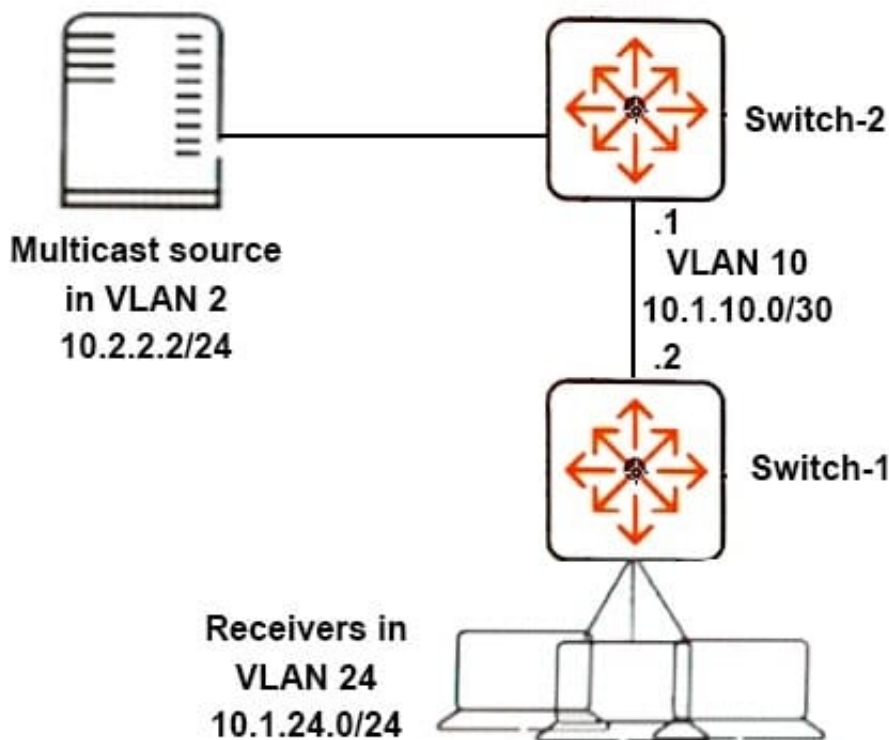
C. C

D. D

Correct Answer: B

**QUESTION 15**

Refer to the exhibit.



Network administrators want the network to use PIM-DM to route multicasts from Server 1 to receivers in VLAN 24.

Which protocols should the administrators enable on which VLANs on Switch-1?

- A. PIM-DM on VLAN 24; IGMP and PIM-DM on VLAN 10
- B. IGMP on VLAN 24; IGMP on VLAN 10
- C. IGMP on VLAN 24; PIM-DM on VLAN 10
- D. IGMP and PIM-DM on VLAN 24; PIM-DM on VLAN 10
- E. IGMP and PIM-DM on VLAN 24; PIM-DM on VLAN 10

Correct Answer: C

[HPE6-A45 VCE Dumps](#)

[HPE6-A45 Exam Questions](#)

[HPE6-A45 Braindumps](#)