

EX0-104^{Q&As}

TMap Next Foundation

Pass EXIN EX0-104 Exam with 100% Guarantee

Free Download Real Questions & Answers **PDF** and **VCE** file from:

<https://www.leads4pass.com/ex0-104.html>

100% Passing Guarantee
100% Money Back Assurance

Following Questions and Answers are all new published by EXIN
Official Exam Center

-  **Instant Download** After Purchase
-  **100% Money Back** Guarantee
-  **365 Days** Free Update
-  **800,000+** Satisfied Customers



QUESTION 1

A structured testing approach is characterized by:

*

providing concrete footholds

*

covering the full scope and describing the complete range of relevant aspects

*

providing a structure, so that it is clear what exactly by whom, when and in what sequence has to be done What is the fourth characteristic?

A.

it delivers insight into and advice on any risks in respect of the quality of the tested system

B.

managing test activities in the context of time, money and quality

C.

the testing is on the critical path of the total development, as briefly as possible, so that the total lead time of development is shortened

D.

to find defects at an early stage

Correct Answer: B

QUESTION 2

Which activity takes place in the Preparation phase?

A. the test object intake

B. allocating test units and test techniques

C. determining the test basis

D. collection of the test basis

Correct Answer: D

QUESTION 3

The possible results of every condition are tested at least once. To which coverage type does this refer?

- A. condition coverage
- B. condition/decision coverage
- C. decision coverage
- D. modified condition/decision coverage

Correct Answer: A

QUESTION 4

See the decision and test situations below: $R = (A \text{ AND } B) \text{ OR } C$

1.A=false	B=true	C=false
2.A=false	B=true	C=false
3.A=true	B=true	C=false

Which test situation is missing if the coverage type decision points modified condition/decision coverage is used?

- A.

A=true	B=true	C=true
--------	--------	--------
- B.

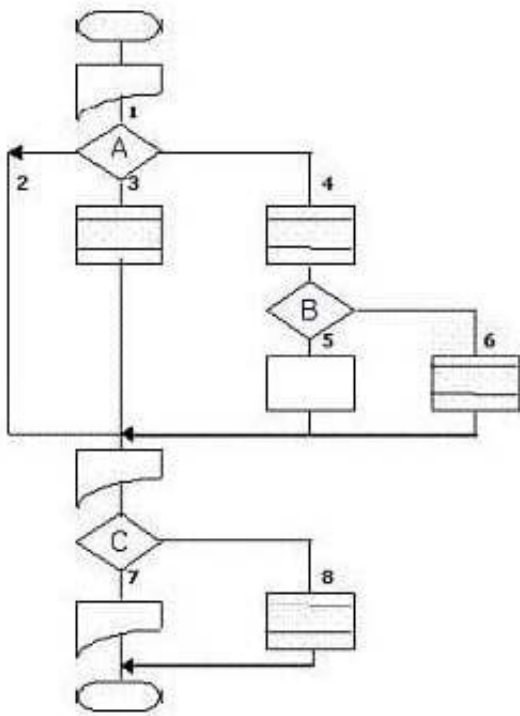
A=true	B=false	C=false
--------	---------	---------

- A. Option A
- B. Option B

Correct Answer: B

QUESTION 5

See the procedure flow below:



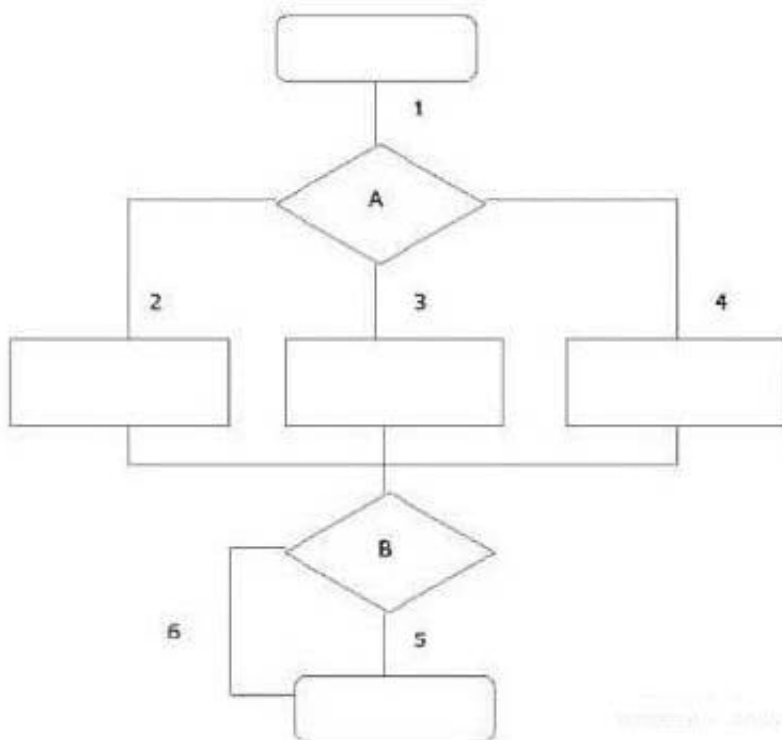
How many test situations are produced when the coverage type paths with test depth level 2 is used?

- A. 3
- B. 8
- C. 12
- D. 13

Correct Answer: D

QUESTION 6

See the illustration below:



What is the minimum number of logical test cases generated by the use of the Process Cycle Test if the coverage type paths test depth level 2 is used?

- A. 3
- B. 5
- C. 6
- D. 9

Correct Answer: C

QUESTION 7

With which units do you best start the unit integration test?

- A. the units that are ready first
- B. the units that are the worst (least) documented
- C. the units in which the most problems are expected

Correct Answer: C

QUESTION 8

See the following specification:

IF	customer no. > 200 AND (group=330 OR article=action OR customer years >=10)
	TI ICN discount = 10%
	IF customer no. > 500 AND region code = 4
	THEN invoice type = A
	ELSE
	invoice type = C
	ENDIF
ELSE	invoice type = C
ENDIF	

How many test situations can be distinguished for this specification when the coverage type decision points modified condition/decision is used?

- A. 2
- B. 6
- C. 8
- D. 64

Correct Answer: C

QUESTION 9

What is to be preserved in the activity reserving the testware? What is to be preserved in the activity reserving the testware?

- A. alltestware created during the project
- B. a selection of thetestware in consultation with the future administrator

Correct Answer: B

QUESTION 10

What is not an advantage of applying a test design technique and recording it in the test specifications?

- A. that the tests are reproducible
- B. that the test specifications are transferable
- C. that coverage of 100% is achieved

D. that it provides a justified elaboration of the test strategy

Correct Answer: C

[Latest EX0-104 Dumps](#)

[EX0-104 VCE Dumps](#)

[EX0-104 Practice Test](#)