

# DES-1721<sup>Q&As</sup>

Specialist - Implementation Engineer-SC Series Exam

**Pass EMC DES-1721 Exam with 100% Guarantee**

Free Download Real Questions & Answers **PDF** and **VCE** file from:

<https://www.leads4pass.com/des-1721.html>

100% Passing Guarantee  
100% Money Back Assurance

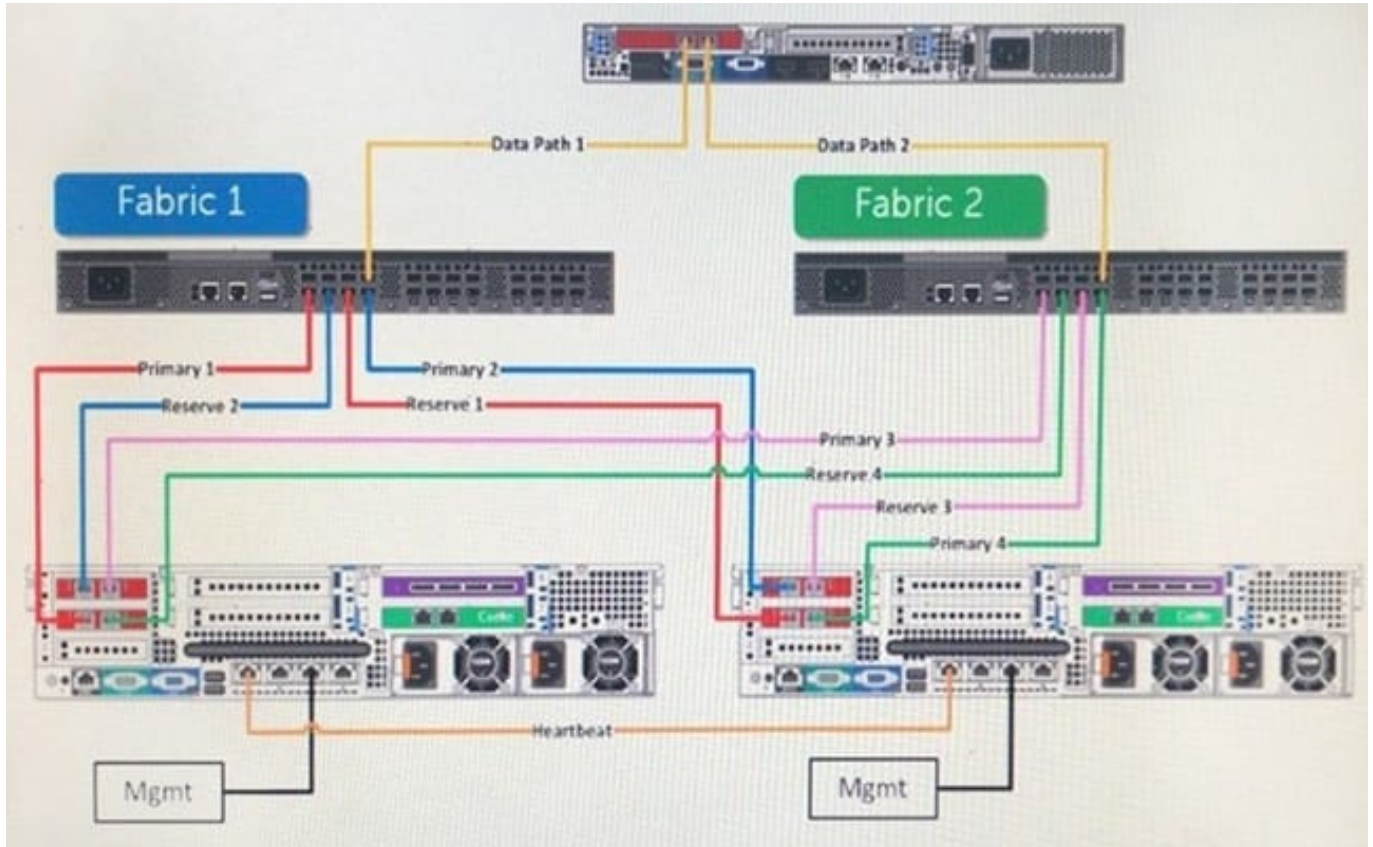
Following Questions and Answers are all new published by EMC  
Official Exam Center

-  **Instant Download** After Purchase
-  **100% Money Back** Guarantee
-  **365 Days** Free Update
-  **800,000+** Satisfied Customers



**QUESTION 1**

Refer to the Exhibit.



A customer has asked you to perform a port failover test to demonstrate system resiliency. What is needed to complete this task?

- A. Add more cables per switch
- B. Switch to Legacy Port Mode
- C. Add more switches per controller
- D. Switch to Virtual Port Mode

Correct Answer: C

**QUESTION 2**

When setting up MPIO with Live Volumes what policy should be selected when configuring a Windows 2016 server?

- A. Weighted Path
- B. Least Queue Depth

C. Round Robin with Subset

D. Round Robin

Correct Answer: C

Reference: [https://downloads.dell.com/manuals/all-products/esuprt\\_software/esuprt\\_it\\_ops\\_datcentr\\_mgmt/general-solution-resources\\_white-papers7\\_en-us.pdf](https://downloads.dell.com/manuals/all-products/esuprt_software/esuprt_it_ops_datcentr_mgmt/general-solution-resources_white-papers7_en-us.pdf) (74)

### QUESTION 3

In an SC Series environment, which Fibre Channel zoning method is more flexible?

A. Port

B. Single Initiator/Multi-Target

C. Single Initiator/Single Target

D. WWN

Correct Answer: D

### QUESTION 4

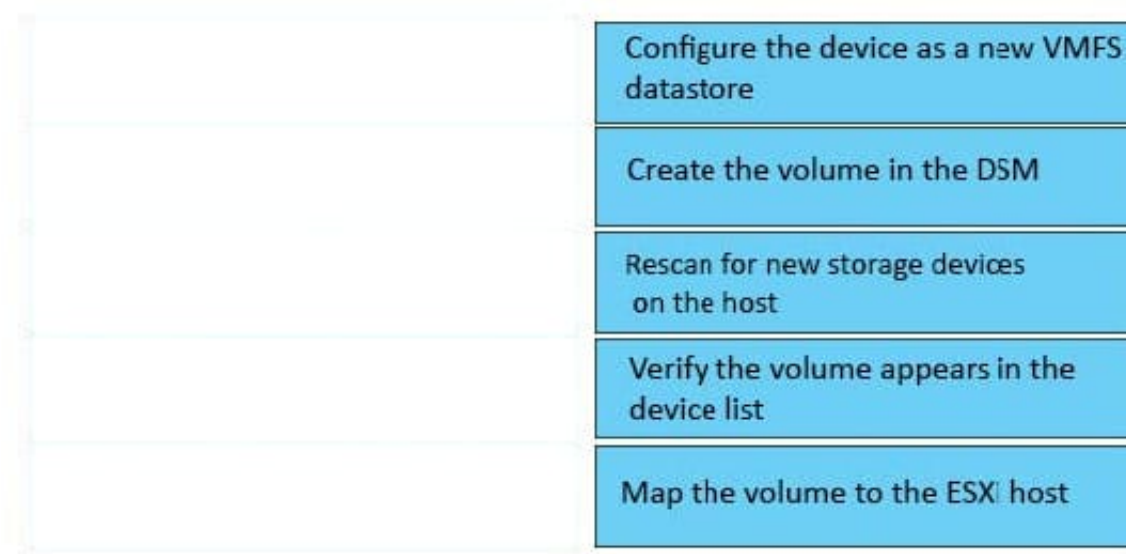
DRAG DROP

What is the correct sequence of steps to present a volume to an ESXi host?

Select and Place:

Map the volume to the ESXi host	STEP 1
Create the volume in the DSM	STEP 2
Configure the device as a new VMFS datastore	STEP 3
Verify the volume appears in the device list	STEP 4
Rescan for new storage devices on the host	STEP 5

Correct Answer:



---

**QUESTION 5**

You are trying to discover a brand new SCv3020 but the process is failing. DHCP is not available. What is the best solution for this issue?

- A. Enable MTU and flowcontrol on the switch
- B. Configure IPv4 address on the system running the DSM Client on the target subnet
- C. Set BMC IPs
- D. Configure IPv4 on DSM Client machine and enable IPv6 addressing

Correct Answer: B

---

**QUESTION 6**

A customer has a dual controller system, two independent Fibre Channel switches, and six servers all multipathed. How many zones should be present on each for the SAN to run properly in Virtual Port Mode?

- A. 6
- B. 8
- C. 12
- D. 16

Correct Answer: D

---

**QUESTION 7**

A company is using an SC4020 array and the storage administrator wants to expand the available capacity by adding 92, 3.5" disk drives. Which expansion enclosure(s) can be used to meet the demand?

- A. 1x SC280 drive bay
- B. 2x SC180 drive bays
- C. 4x SC220 drive bays
- D. 8x SC200 drive bays

Correct Answer: D

Reference: [https://parera.se/wp-content/uploads/2017/05/DellStorage\\_SC4020\\_Spec\\_Sheet\\_030714.pdf](https://parera.se/wp-content/uploads/2017/05/DellStorage_SC4020_Spec_Sheet_030714.pdf)

---

**QUESTION 8**

When an RS-232 serial cable is connected between a service laptop and SC Series hardware, which parameters need to be selected?

- A. Baud Rate = 9600, Parity = None Data Bits = 8, Stop Bits =1, Flow Control = XON/XOFF
- B. Baud Rate = 115200, Parity = None Data Bits = 8, Stop Bits = 1, Flow Control = XON/XOFF
- C. Baud Rate = 115200, Parity =None Data Bits = 8, Stop Bits = 1, Flow Control = None
- D. Baud Rate = 115200, Parity = Even Data Bits = 8, Stop Bits = 1, Flow Control = XON/XOFF

Correct Answer: A

---

**QUESTION 9**

You are implementing a front-end connection in Legacy Port Mode on an SC4020 in a SAN with two iSCSI switches. What is the minimum number of port(s), per switch, that can be used by each controller?

- A. One port on each Ethernet switch
- B. Two ports on each Ethernet switch
- C. Four ports on each Ethernet switch
- D. Eight ports on each Ethernet switch

Correct Answer: C

---

**QUESTION 10**

What is the recommended minimum number of ports per controller, per fault domain, to support port-level failover?

A. 1

B. 2

C. 3

D. 4

Correct Answer: B

Reference: <https://www.dell.com/support/manuals/us/en/04/dell-compellent-sc4020/sc4020om-v8/fault-domains-in-virtual-port-mode?guid=guid-91718ce3-44aa-4af4-aa20-8840bca43351andlang=en-us>

---

## QUESTION 11

An administrator wants to configure an SC Series array to use Virtual Port Mode. What is a requirement to accomplish this task?

A. NPIV must be disabled on Fibre Channel switches

B. I/O Controller cards must use a single-ID firmware version

C. Fibre Channel switches must use a switched fabric topology D. Activation license must be purchased and installed

Correct Answer: D

---

## QUESTION 12

A customer wants to add an iSCSI path to a Microsoft Windows Server 2012 R1. The server has an existing Fibre Channel path to an SC7020 array for load balancing and high availability. Which Windows MPIO policy should be configured to achieve the customer's requirement?

A. Fail Over Only

B. Weighted Paths

C. Round Robin with Subset

D. Round Robin

Correct Answer: D

Reference: [https://www.google.com/url?sa=tandrc=jandq=andesrc=sandsource=webandcd=1andcad=rjaanduact=8andved=2ahUKEwig4LmO8KHcAhWDORQKHWPCCRQQFjAAegQIAxACandurl=http%3A%2F%2Fen.community.dell.com%2Fdfs-file%2F\\_\\_key%2Ftelligent-evolution-components-attachments%2F13-4491-00-00-20-43-93-10%2FSC\\_2D00\\_Series\\_2D00\\_Synchronous\\_2D00\\_Replication\\_2D00\\_and\\_2D00\\_Live\\_2D00\\_Volume\\_2D00\\_Dell\\_2D00\\_EM\\_2D00\\_2017\\_2D002800\\_CML1064\\_2900\\_.pdf%3Fforcedownload%3Dtrueandusg=AOvVaw2U039ZfRgHPhpM3KkHmN4z](https://www.google.com/url?sa=tandrc=jandq=andesrc=sandsource=webandcd=1andcad=rjaanduact=8andved=2ahUKEwig4LmO8KHcAhWDORQKHWPCCRQQFjAAegQIAxACandurl=http%3A%2F%2Fen.community.dell.com%2Fdfs-file%2F__key%2Ftelligent-evolution-components-attachments%2F13-4491-00-00-20-43-93-10%2FSC_2D00_Series_2D00_Synchronous_2D00_Replication_2D00_and_2D00_Live_2D00_Volume_2D00_Dell_2D00_EM_2D00_2017_2D002800_CML1064_2900_.pdf%3Fforcedownload%3Dtrueandusg=AOvVaw2U039ZfRgHPhpM3KkHmN4z)

---

## QUESTION 13

What type of Host connectivity is required for Live volume?

- A. FCoE
- B. MPIO
- C. TOE Host Bus Adapter
- D. Target Initiator to the Primary system

Correct Answer: A

Reference: <https://www.dell.com/community/Compellent/Compellent-Live-Volume/td-p/5848151>

---

## QUESTION 14

Which component of the Dell Storage Manager (DSM) Suite's only purpose is to perform disaster recovery?

- A. Dell Storage Manager Remote Data Collector
- B. Dell Storage Manager Primary Data Collector
- C. Dell Storage Manager Server Agent
- D. Dell Storage Manager Client

Correct Answer: A

---

## QUESTION 15

What three core features are part of the protection bundle?

- A. Live Volume, Remote Instant Replay, Replay Manager
- B. Data Progression, Remote Instant Replay, Replay Manager
- C. Live Volume, Data Progression, Replay Manager
- D. Live Volume, Remote Instant Replay, FastTrack

Correct Answer: A

Reference: <https://www.dell.com/support/manuals/ai/en/aibsd1/storage-sc9000/sc-7.2-rn/sc4020-features-and-licenses?guid=guid-6c1c9dd9-d086-4b99-bca3-bb650dcee9b5andlang=en-us>

[DES-1721 Practice Test](#)

[DES-1721 Study Guide](#)

[DES-1721 Exam Questions](#)