

## 600-660<sup>Q&As</sup>

Implementing Cisco Application Centric Infrastructure - Advanced

### Pass Cisco 600-660 Exam with 100% Guarantee

Free Download Real Questions & Answers **PDF** and **VCE** file from:

<https://www.lead4pass.com/600-660.html>

100% Passing Guarantee  
100% Money Back Assurance

Following Questions and Answers are all new published by Cisco  
Official Exam Center

-  **Instant Download** After Purchase
-  **100% Money Back** Guarantee
-  **365 Days** Free Update
-  **800,000+** Satisfied Customers

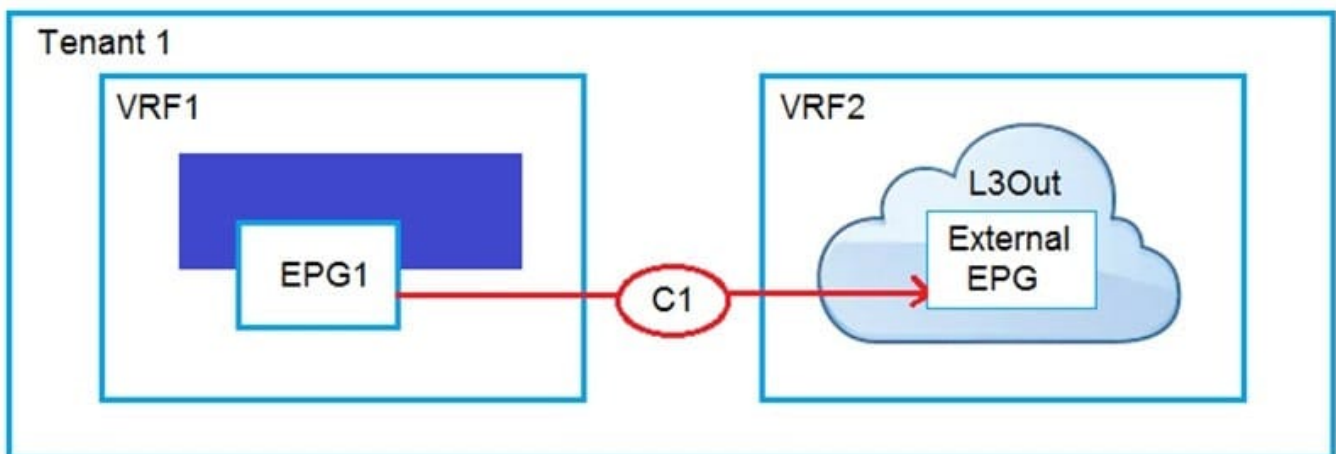


**QUESTION 1**

An engineer creates the objects that must be deployed at each site in Cisco ACI Multi-Site Orchestrator. Which action should be taken before the schema can be associated with the newly configured site?

- A. Attach the templates to the newly configured site
- B. Configure a provider for the Cisco ACI Multi-Site Orchestrator
- C. Import existing policies from an existing tenant to Cisco ACI Multi-Site Orchestrator
- D. Configure the Infra Site-Specific Settings

Correct Answer: A

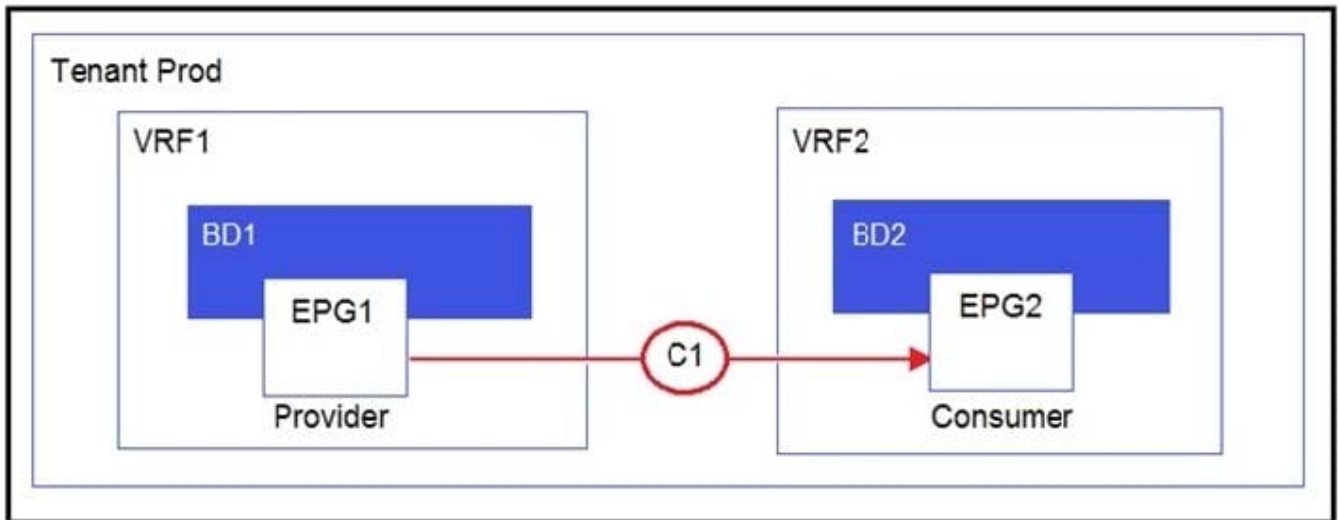
**QUESTION 2**

Refer to the exhibit. An engineer must have communication between EPG1 in VRF1 and External EPG in VRF2. Which three actions should be taken for the defined subnets in the L3Out External EPG to accomplish this goal? (Choose three.)

- A. Enable Shared Route Control Subnet
- B. Enable External Subnets for External EPG
- C. Enable Export Route Control Subnet
- D. Enable Shared Security Import Subnet
- E. Enable Aggregate Shared Routes
- F. Enable Import Route Control Subnet

Correct Answer: CDF

Reference: <https://www.cisco.com/c/en/us/solutions/collateral/data-center-virtualization/application-centric-infrastructure/guide-c07-743150.html>

**QUESTION 3**

Refer to the exhibit. Which two configurations enable inter-VRF communication? (Choose two.)

- A. Set the subnet scope to Shared Between VRFs
- B. Enable Advertise Externally under the subnet scope
- C. Change the contract scope to Tenant
- D. Change the subject scope to VRF
- E. Export the contract and import as a contract interface

Correct Answer: BE

**QUESTION 4**

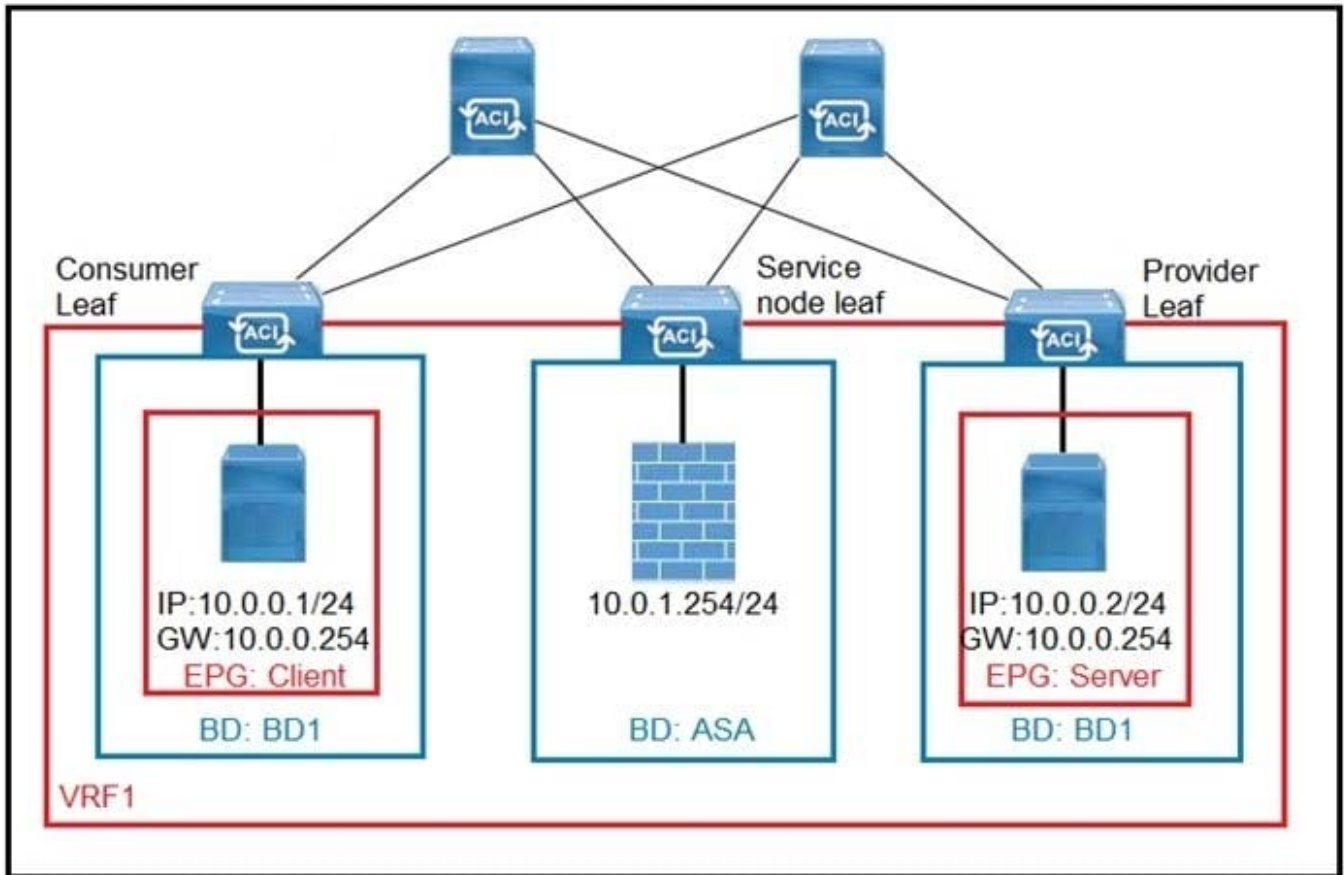
What are two characteristics of Cisco ACI and Spanning Tree Protocol interaction? (Choose two.)

- A. When a TCN BPDU is received in a VLAN, Cisco ACI flushes the endpoints for the associated encapsulation.
- B. STP BPDUs are dropped due to MCP.
- C. MST BPDUs are flooded correctly in Cisco ACI fabric without additional configuration.
- D. BPDU filter and BPDU guard can be configured on Cisco ACI leaf edge ports.
- E. Cisco ACI must be configured as the STP root for all VLANs.

Correct Answer: DE

Reference: [https://www.cisco.com/c/en/us/td/docs/switches/datacenter/aci/aci\\_virtual\\_edge/configuration/1-x/b\\_Virtual\\_Edge\\_Config\\_Guide\\_1\\_2\\_2/b\\_Virtual\\_Edge\\_Config\\_Guide\\_1\\_2\\_2\\_chapter\\_0101.html](https://www.cisco.com/c/en/us/td/docs/switches/datacenter/aci/aci_virtual_edge/configuration/1-x/b_Virtual_Edge_Config_Guide_1_2_2/b_Virtual_Edge_Config_Guide_1_2_2_chapter_0101.html)

QUESTION 5

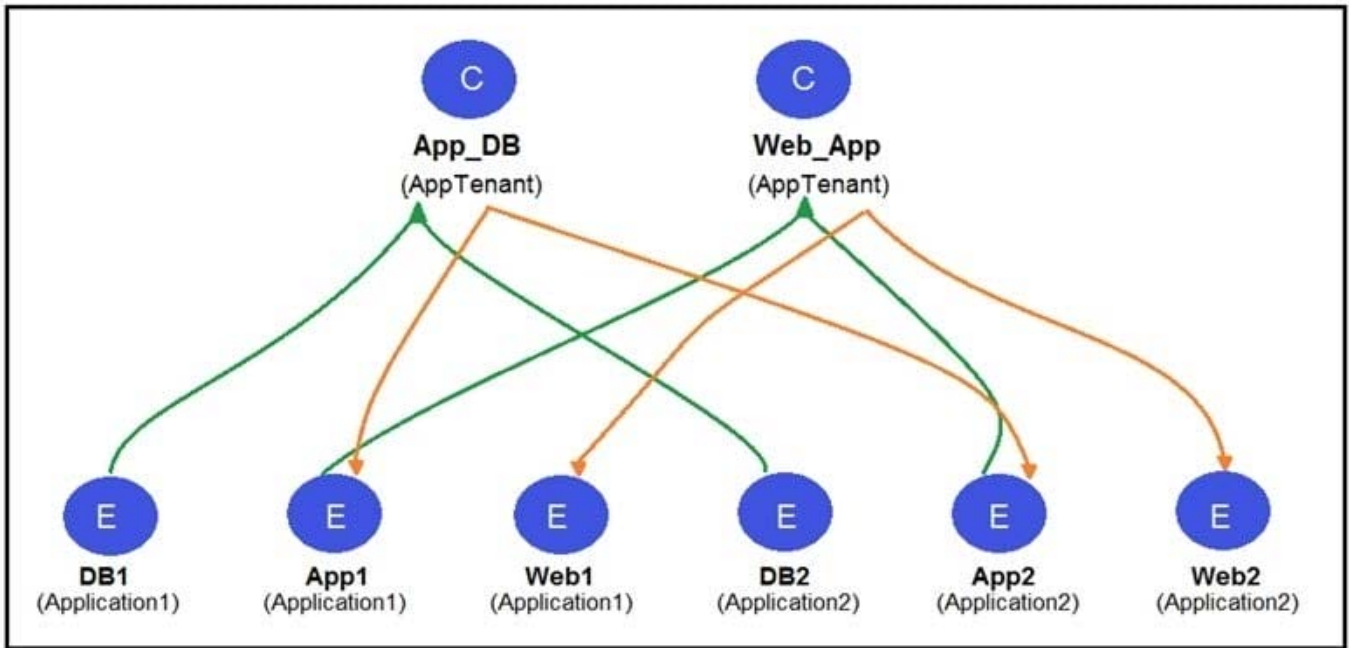


Refer to the exhibit. What must be configured in the service graph to redirect HTTP traffic between the EPG client and EPG server to go through the Cisco ASA firewall?

- A. contract filter to allow ARP and HTTP
- B. precise filter to allow only HTTP traffic
- C. contract with no filter
- D. permit-all contract filter

Correct Answer: A

QUESTION 6



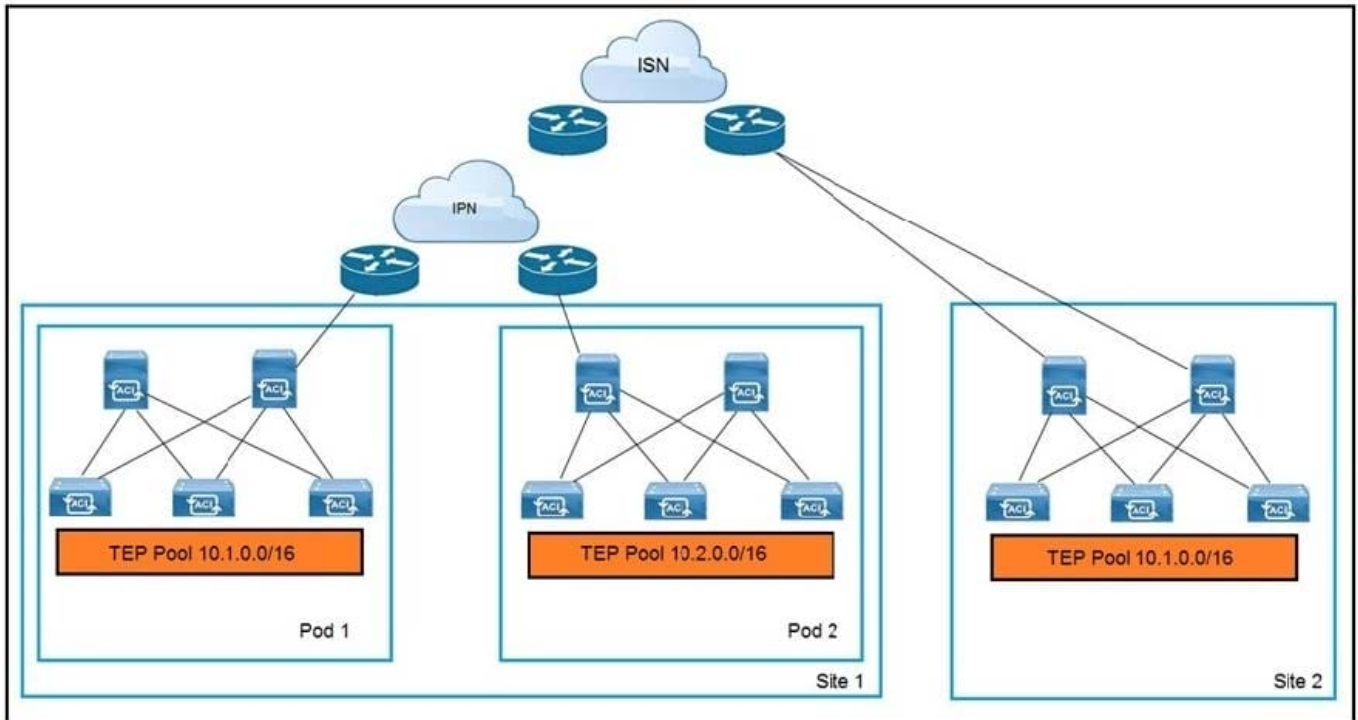
Refer to the exhibit. Two application profiles are configured in the same tenant and different VRFs. Which contract scope is configured to allow communication between the two application profiles?

- A. global
- B. VRF
- C. application
- D. tenant

Correct Answer: D

Reference: [https://www.cisco.com/c/en/us/td/docs/switches/datacenter/aci/apic/sw/1-x/Operating\\_ACI/guide/b\\_Cisco\\_Operating\\_ACI/b\\_Cisco\\_Operating\\_ACI\\_chapter\\_01000.html](https://www.cisco.com/c/en/us/td/docs/switches/datacenter/aci/apic/sw/1-x/Operating_ACI/guide/b_Cisco_Operating_ACI/b_Cisco_Operating_ACI_chapter_01000.html)

**QUESTION 7**



Refer to the exhibit. An engineer extends a Cisco ACI Multi-Pod setup to a Cisco ACI Multi-Site implementation. Which action allows the interconnection?

- A. Configure BIDIR-PIM in the IPN and ISN
- B. Use dedicated uplinks on Site 1 spines for ISN connections
- C. Connect all spines to the IPN and ISN
- D. Filter the advertisement of the Site 2 TEP pool into the IPN

Correct Answer: A

**QUESTION 8**

An engineer configures a new Cisco ACI Multi-Pod setup. Which action should be taken for fabric discovery to be successful for the nodes in Pod 2?

- A. Select the Route Reflector field in Pod Peering
- B. Enable the DSCP class-cos translation policy for Layer 3 traffic
- C. Configure POD 2 Data Plane TEP under the Pod Connection Profile
- D. Add the IPN subnet under the Fabric External Routing Profile

Correct Answer: D

**QUESTION 9**

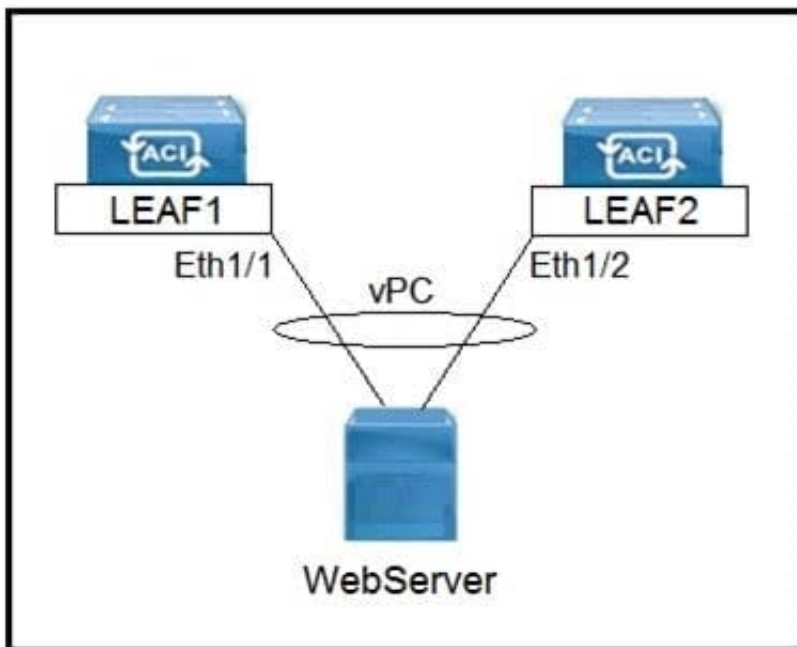
Where are STP BPDUs flooded in Cisco ACI fabric?

- A. in the bridge domain VLAN
- B. in the native VLAN ID
- C. in the access encapsulation VLAN part of different VLAN pools
- D. in the VNID that is assigned to the FD VLAN

Correct Answer: A

Reference: <https://www.cisco.com/c/en/us/solutions/collateral/data-center-virtualization/application-centric-infrastructure/white-paper-c11-737909.html>

#### QUESTION 10



Refer to the exhibit. Which three actions should be taken to implement the vPC in the Cisco ACI fabric? (Choose three.)

- A. Select a common vPC interface policy group
- B. Select individual interface profiles
- C. Select common interface profiles
- D. Select individual switch profiles
- E. Select common switch profiles

Correct Answer: ABE

[600-660 PDF Dumps](#)

[600-660 VCE Dumps](#)

[600-660 Exam Questions](#)