

## 5V0-61.19<sup>Q&As</sup>

Workspace ONE Unified Endpoint Management Specialist

### Pass VMware 5V0-61.19 Exam with 100% Guarantee

Free Download Real Questions & Answers **PDF** and **VCE** file from:

<https://www.leads4pass.com/5v0-61-19.html>

100% Passing Guarantee  
100% Money Back Assurance

Following Questions and Answers are all new published by VMware  
Official Exam Center

-  **Instant Download** After Purchase
-  **100% Money Back** Guarantee
-  **365 Days** Free Update
-  **800,000+** Satisfied Customers



## QUESTION 1

An administrator has configured a per-app tunnel in a cascade deployment type. Between the network segments, the administrator has implemented a load balancer that is providing SSL-offloading.

None of the per-app tunnel configured apps are able to establish a tunneled connection.

What is the problem?

- A. Per-app tunnel cannot be deployed in cascade mode.
- B. Per-app tunnel does not support SSL offloading.
- C. The SSL offloading needs to be enabled between the two tunnel servers.
- D. Per-app tunnel does not support SSL offloading between the two relay -endpoint tunnel servers.

Correct Answer: B

Reference: [https://docs.vmware.com/en/VMware-Workspace-ONE-UEM/1907/Tunnel\\_Linux/GUIDCD6FE0E3-902E-4099-A0B1-DB43B1BD0F43.html](https://docs.vmware.com/en/VMware-Workspace-ONE-UEM/1907/Tunnel_Linux/GUIDCD6FE0E3-902E-4099-A0B1-DB43B1BD0F43.html)

---

## QUESTION 2

Users are able to list all of their repositories through the content gateway of the Unified Access Gateway (UAG). After an attempt to open a SMB repository, the users are required to provide a username and password.

Which two can cause the issue? (Choose two.)

- A. Port 80 should be verified to make sure it is not blocked between the device and the content gateway.
- B. Smb.conf needs to be edited if there are multiple repository in the same domain.
- C. A Fully Qualified Domain Name (FQDN) needs to be added to the resolv.conf.
- D. Having multiple repository on the same domain is not supported.
- E. Content gateway does not support SMB repository.

Correct Answer: BC

Reference: <https://docs.vmware.com/en/Unified-Access-Gateway/3.5/uag-35-deploy-config-guide.pdf>

---

## QUESTION 3

An administrator is troubleshooting a Unified Access Gateway (UAG) via command line. The administrator has to restart the per-app VPN service.

Which command should the administrator use?

- A. Systemctl restart proxy

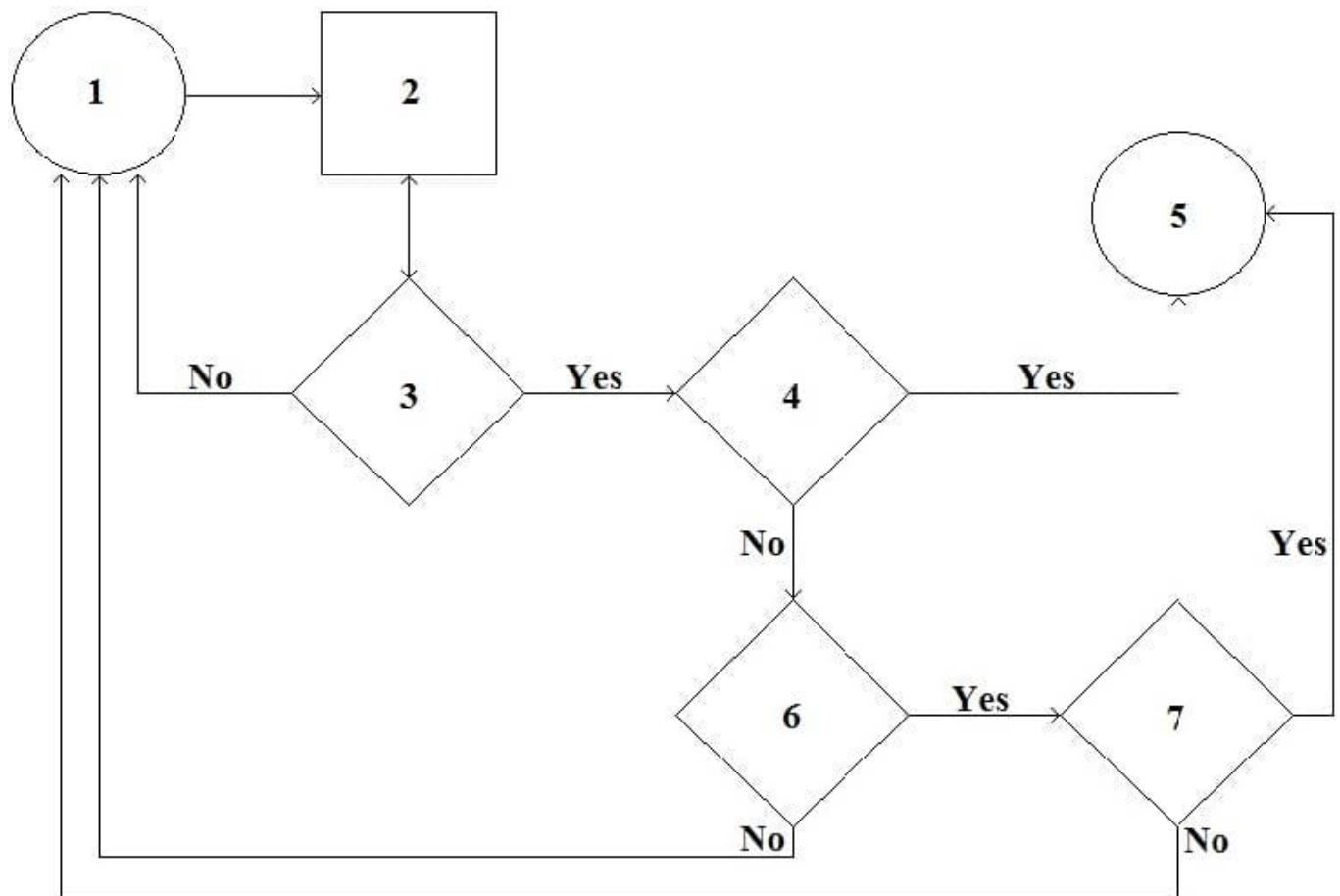
- B. Systemctl restart vpndaemon
- C. Systemctl restart vpdnd
- D. Systemctl restart vmware-vmn

Correct Answer: C

Reference: <https://docs.vmware.com/en/VMware-Workspace-ONE-UEM/9.5/vmware-airwatch-guides-95/GUID-AW95-Linux-Troubleshooting.html>

### QUESTION 4

Given the following Workspace ONE component process flow for troubleshooting: What is the correct flow description for the UEM Admin Console?



- A. 1 = Information gathering, 2 = Issue reproduction and data collection, 3 = Issue identified and diagnosed, 4 = Apply a fix. Issue resolved?, 5 = Issue resolution, 6 = Product defect, 7 = RandD version fix
- B. 1= Information gathering, 2 = Issue reproduction and data collection, 3 = Issue identified and diagnosed, 4 = Apply a fix. Issue resolved?, 5 = Issue resolution, 6 = RandD version fix, 7 = Product defect
- C. 1 = Apply a fix. Issue resolved?, 2 = Issue reproduction and data collection, 3 = Information gathering, 4 = Issue identified and diagnosed, 5 = Issue resolution. 6 = Product defect, 7 = RandD version fix

D. 1 = Apply a fix. Issue resolved? 2 = Issue reproduction and data collection, 3 = Issue identified and diagnosed, 4 = Information gathering, 5 = Issue resolution, 6 = Product defect, 7 = RandD version fix

Correct Answer: C

---

## QUESTION 5

An administrator is trying to add a public iOS application by using the App Store Search option from Workspace ONE UEM. The application this administrator is looking for is not listed.

What can be the problem?

- A. The Apple Push Notification Service (APNs) certificate is invalid.
- B. The application is not available in the selected country.
- C. The Apple Volume Purchase Program (VPP) sToken is expired.
- D. The application is free of charge.

Correct Answer: B

---

## QUESTION 6

A user is decommissioning older iOS devices that were enrolled using the Apple Device Enrollment Program (DEP) in the Workspace UEM environment.

Which tasks need to be executed?

- A. Delete the device from Workspace ONE UEM and it will be automatically disassociated from DEP.
- B. Perform an enterprise wipe, then Workspace ONE UEM will automatically disassociate the device from DEP.
- C. Disassociate the device in the DEP and from the MDM server, then Workspace ONE UEM syncs the device state automatically.
- D. Disassociate the device in the DEP and from the MDM server, then sync iOS devices manually in Workspace ONE UEM.

Correct Answer: C

---

## QUESTION 7

In the Email Notification Service (ENS) log file, an administrator finds the following error message:

"Insufficient service users in domain to monitor mailbox ...".

What causes this issue?

- A. The wrong Exchange server version is used.

- B. The certificate is not valid between ENS and EWS.
- C. Values between Exchange Web Service (EWS) and ENS are not matching.
- D. The administrator needs to open a VMware support case ticket because the support team needs to change values in the Cloud.

Correct Answer: C

Reference: <https://docs.vmware.com/en/VMware-Workspace-ONE-UEM/1811/WS1-Email-NotificationService.pdf> (7)

---

### QUESTION 8

An administrator has defined an email policy for hyperlink protection for emails that contain a hyperlink that can only be opened using the VMware browser. When the administrator tests the functionality, the hyperlink is still opened in the native browser of the device.

What causes this issue?

- A. Hyperlink protection is not supported on Office 365 Exchange Online.
- B. The administrator is using Exchange 2016 with SEG v2.
- C. Hyperlink protection is not working with Workspace ONE UEM.
- D. The administrator has deployed G-Suite with direct integration.

Correct Answer: A

---

### QUESTION 9

What can cause Device Health Attestation to fail in Workspace ONE UEM for a Windows 10 Desktop device?

- A. BitLocker status on boot is disabled.
- B. Windows Update Service is not enabled.
- C. Windows 10 does not support Device Health Attestation.
- D. A required managed app is missing.

Correct Answer: A

---

### QUESTION 10

The ACC service account must be a member of which two groups in the Active Directory to provide the minimum level of required access? (Choose two.)

- A. Enterprise admins

B. Event log readers

C. Domain admin

D. Remote Desktop users

E. Domain guest

Correct Answer: AC

[5V0-61.19 PDF Dumps](#)

[5V0-61.19 VCE Dumps](#)

[5V0-61.19 Braindumps](#)