

50-696^{Q&As}

Foundations of Novell Open Enterprise Server NetWare

Pass Novell 50-696 Exam with 100% Guarantee

Free Download Real Questions & Answers **PDF** and **VCE** file from:

<https://www.leads4pass.com/50-696.html>

100% Passing Guarantee
100% Money Back Assurance

Following Questions and Answers are all new published by Novell
Official Exam Center

-  **Instant Download** After Purchase
-  **100% Money Back** Guarantee
-  **365 Days** Free Update
-  **800,000+** Satisfied Customers



QUESTION 1

You need to install the Novell Client on Windows XP workstations in your organization with the Rehabilitation Act Section 508 compliance feature enabled. How can you do this?

- A. You can't. The Client doesn't support Section 508 specifications.
- B. When installing the Client, run SETUPNW.EXE with the /508 switch.
- C. Install the Client, then access the Client's properties page and click the 508 Compliance button.
- D. You don't have to do anything. The Client's Section 508 compliance feature is automatically enabled by default.
- E. Install the Client, then use REGEDIT access the registry. Locate the NWCLIENT key in HKEY_LOCAL_MACHINE and add /508 to the load line.
- F. Install the Client, then locate the NET.CFG file in C:\NOVELL and change the value of the 508_ENABLED line to TRUE.

Correct Answer: B

QUESTION 2

You need to access iManager on an OES NetWare server that has been assigned an IP address of 10.200.200.3. Which URL should you use?

- A. <https://10.200.200.3:8009>
- B. <http://10.200.200.3:8008/nds>
- C. <https://10.200.200.3/nps/iManager.html>
- D. <http://10.200.200.3:8008/nps/iManager.html>
- E. <https://10.200.200.3:8009/nps/iManager.html>

Correct Answer: C

QUESTION 3

Click the Point and Click button to begin.

Click the icon that represents an eDirectory Organizational Role object.

Hot Area:



Correct Answer:

**QUESTION 4**

Which user object is automatically created when OES NetWare is installed?

- A. Admin
- B. Manager
- C. SMS SMDR
- D. Tomcat Roles
- E. apchadm-Administrator

Correct Answer: A

QUESTION 5

You've just created an NSS volume on your OES NetWare server named SHARED. Your server name is WIDGET1. What name will be automatically assigned to the object for this volume in the eDirectory tree?

- A. SHARED
- B. WIDGET1_SHARED
- C. WIDGET1~SHARED
- D. WIDGET1#SHARED
- E. WIDGET1-SHARED

F. NSS volumes aren't represented by eDirectory objects.

Correct Answer: B

QUESTION 6

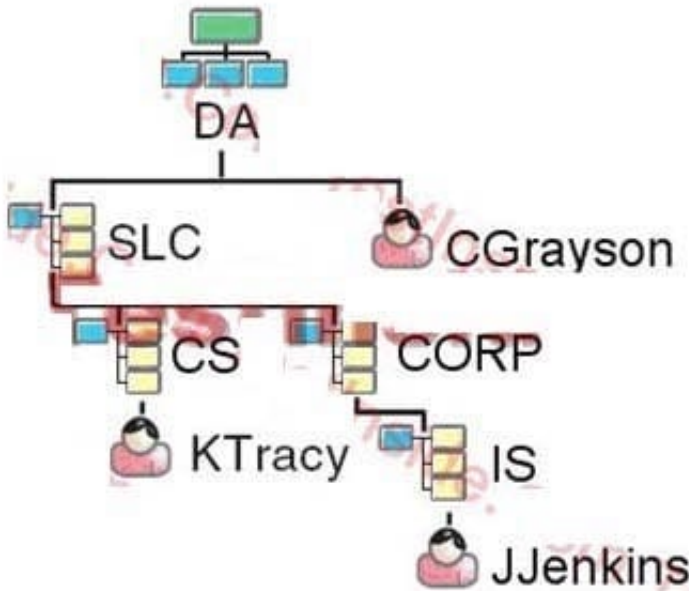
Which NSS component refers to a specific amount of storage you obtain from one or more storage devices in the server?

- A. Partition
- B. Storage Pool
- C. Logical Volume
- D. Traditional Volume

Correct Answer: B

QUESTION 7

Click the Exhibit button to begin.



Your current context is .CORP.SLC. D

- A. What is the relative distinguished name of the JJenkins user object?
- B. JJenkins
- C. JJenkins.IS

- D. IS.JJenkins
- E. JJenkins.IS.CORP
- F. CORP.IS.JJenkins
- G. JJenkins.IS.CORP.SLC
- H. JJenkins.IS.CORP.SLC. DA

Correct Answer: B

QUESTION 8

You recently purchased and installed a SCSI RAID5 disk array in your OES NetWare server to store large user files. You need to configure your system files to automatically load the drivers on boot. Which file should you edit to do this?

- A. RAID. NCF
- B. SERVER.EXE
- C. CONFIG.SYS
- D. STARTUP.NCF
- E. STARTUP.CFG
- F. AUTOEXEC. BAT

Correct Answer: D

QUESTION 9

You've just upgraded the 100 Mbps Ethernet network board in your OES NetWare server to a Gigabit Ethernet network interface. The manufacturer included a floppy diskette with a LAN driver named NTI1000.LAN with the board. Assuming that the server's floppy drive is assigned drive letter A, which command will load this driver from the diskette?

- A. NTI1000.LAN
- B. LOAD NTI1000.LAN
- C. LOAD A:\NTI1000.LAN
- D. \MNT\FLOPPY\NTI1000.LAN

Correct Answer: C

QUESTION 10

Which server console command can be used to disable the loading of NLMs from the floppy drive?

- A. SECURE LOAD
- B. DISABLE LOAD
- C. SECURE FLOPPY
- D. SECURE CONSOLE
- E. DISABLE FLOPPY
- F. DISABLE CONSOLE

Correct Answer: D

QUESTION 11

Which directories does Novell recommend you implement to organize your NetWare server's file system? (Choose 3.)

- A. Shared directories.
- B. ZENworks profile directories.
- C. iFolder data directories on SYS.
- D. An iPrint spooling directory on SYS.
- E. User home directories on a volume other than SYS.
- F. A directory named ETC in each user's home directory for configuration files.

Correct Answer: ABE

QUESTION 12

The _____ translates iPrint queries or commands into printer-specific language that a given printer can use.

- A. Broker
- B. Gateway
- C. Manager
- D. Print Queue
- E. Print Server
- F. Printer Agent

Correct Answer: B

QUESTION 13

Your company has recently hired a number of new technical support engineers. These employees will need access to knowledgebase documents stored on an OES NetWare server volume. They will also need to be able to create new documents and edit existing documents. All the documents will be saved within the KNOWLEDGE directory structure on the SUPPORT volume. Rather than assign file system rights to each individual user object, to which objects could you assign rights to make the process more manageable? (Choose 2.)

- A. Group objects
- B. Alias objects
- C. Server objects
- D. Template objects
- E. Directory Map objects
- F. Organizational Unit objects
- G. Organizational Role objects

Correct Answer: AF

QUESTION 14

You're planning to install your OES NetWare server into an existing tree. There are three servers already installed in the tree. They communicate with each other using the IPX protocol. One is a NetWare 4.1 server, one is a NetWare 4.2 server, and one is a NetWare 5.0 server. The NetWare 4.1 server has Support Pack 6 installed.

The NetWare 4.2 server has Support Pack 9 installed. The NetWare 5.0 server has Support Pack 6a installed. Will the installation of the OES NetWare server into this tree be successful?

- A. Yes, all prerequisite requirements have been met.
- B. No, Support Pack 9a or later must be installed on the NetWare 4.2 server.
- C. No, Support Pack 7 or later must be installed on the NetWare 5.0 server.
- D. No, OES NetWare can't communicate with older servers using the IPX protocol.
- E. No, the version of eDirectory included in OES NetWare is not compatible with NetWare 4.1 servers.
- F. No, the version of eDirectory included in OES NetWare is not compatible with NetWare 4.2 servers.

Correct Answer: E

QUESTION 15

Which CPUs are supported by OES NetWare? (Choose 2.)

- A. Alpha

B. AMD K7

C. Pentium

D. Pentium II

E. Pentium Pro

Correct Answer: BD

[50-696 VCE Dumps](#)

[50-696 Study Guide](#)

[50-696 Braindumps](#)