

3605^{Q&As}

Avaya Ethernet Routing Switch Implementation and Maintenance Exam

Pass Avaya 3605 Exam with 100% Guarantee

Free Download Real Questions & Answers **PDF** and **VCE** file from:

<https://www.leads4pass.com/3605.html>

100% Passing Guarantee
100% Money Back Assurance

Following Questions and Answers are all new published by Avaya
Official Exam Center

-  **Instant Download** After Purchase
-  **100% Money Back** Guarantee
-  **365 Days** Free Update
-  **800,000+** Satisfied Customers



QUESTION 1

An engineer needs to assign an IP address of 172.25.10.31 for out of band management of an Ethernet Routing switch (ERS) 8600 switch a subnet mask of

255.255.255.192. Which command line interface (CLI) command should the engineer use?

- A. ERS8600:5# config bootconfig set ip 172.26.10 36/26
- B. ERS8800:5 # config bootconfig set ip 172.25.10 36/27
- C. ERS8600:5# config bootconfig net mgmt ip 172.25.10.36/27
- D. ERS8600:5# config bootconfig net mgmt ip 172.25.10.36/26

Correct Answer: D

QUESTION 2

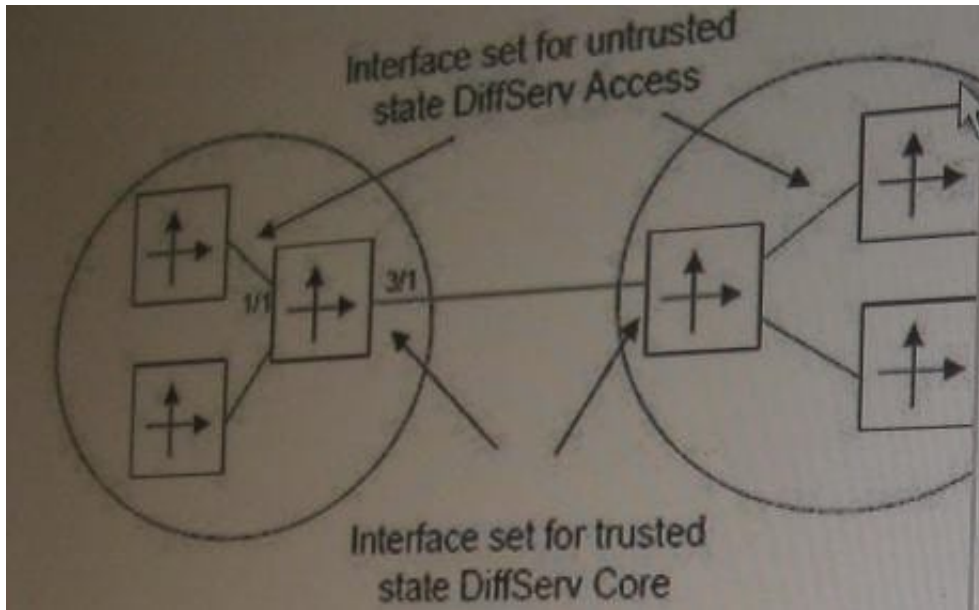
The User interface (UI) button on the Ethernet Routing Switch (ERS) 6500 can be used to temporarily reset a switch to the default IP address. Which two statements are true about the default IP address set via the UI button? (Choose two)

- A. The default IP address overrides the IP address currently in use by the switch stack.
- B. The default IP address overwrites the "configured" IP address settings that are set via console, CLI or Web.
- C. the default IP address changes if there is a change in the state of the switch, such as if the switch joins or leaves a stack.
- D. the default IP address is saved in NVRAM across resets of the switch/stack.

Correct Answer: AB

QUESTION 3

Which commands will configure the labeled Ethernet ports appropriately?



- A. Config Ethernet 3/1 enable-diffserv trueconfig Ethernet 1/1 access-diffserv true
- B. Config Ethernet 3/1 enable-diffserv trueconfig Ethernet 1/1 access-diffserv false
- C. Config Ethernet 1/1, 3/1 enable-diffserv trueconfig Ethernet 1/1 access-diffserv true
- D. Config Ethernet 3/1 enable-diffserv trueconfig Ethernet 3/1 access- diffserv true

Correct Answer: C

QUESTION 4

A campus network requirement is to introduce Virtual Routing and Forwarding (VRF) in the existing Ethernet Routing Switch (ERS) 8600-based core. The technician has to configure VRF on the ERS 8600. Which statement represents the order for configuring a new VRF?

- A. Creating a new VLAN, add an IP address to the VLAN, create the VRF in the VLAN configuration.
- B. Create VRF, change context to the new VRF, add an IP address, create a new VLAN, and move the VLAN to the new VRF.
- C. Create a VRF, change context to the new VRF, create a new VLAN, add an IP address to the VLAN.
- D. Create a VRF, create a new VLAN, move the VLAN to the new VRF, change context to the new VRF, and add an IP Address.

Correct Answer: D

QUESTION 5

When Incorporating Split Multi-Link Trunk (SMLT) on a pair of Ethernet Routing Switch (ERS) 8600 switches traffic from the edge of the network is directed to

either ERS 8600. The ping-snoop feature assists in determining which path the traffic is taking.

How does the ping-snoop operation work?

- A. Ping snoop requires configuration changes to the edge devices.
- B. Ping snoop looks at the MAC header and directs traffic to the designated link.
- C. Ping snoop identifies traffic that matches the IP flow specified in the ping snoop command.
- D. Ping snoop configurations are saved and can be configured to restart automatically after a reboot.

Correct Answer: C

QUESTION 6

A technician is configuring the core of a Converged Campus network, and is adding a backup-master configuration to an existing Virtual Router Redundancy

Protocol (VRRP) configuration for a VLAN that extends to the edge switches.

Which benefit is expected from the Addition of backup-master?

- A. reduced traffic on the IST
- B. reduced traffic on the uplink ports
- C. redundant default gateways for host devices
- D. faster switchover time

Correct Answer: D

QUESTION 7

When configuring an Ethernet Routing Switch (ERS) 8600 for Split Multi link Trunking (SMLT). Protection against an edge switch in the factory default condition must be taken into consideration. Which parameter WILL help prevent loops on the SMLT ports?

- A. Discard Untagged Frames
- B. Discard Looped Frames
- C. Spanning Tree Enable
- D. LACP Enable

Correct Answer: A

QUESTION 8

As stated in RFC 2338. (Virtual Router Redundancy Protocol) VRRP management problems can occur if the address used by the management station is used incorrectly. Which two statements describe how to avoid management problems? (Choose two)

- A. A VRRP interface MUST accept packets addressed to the IP address (es) associated with the virtual router if it is not the IP address owner (priority = 255)
- B. A VRRP interface MUST NOT accept packets addressed to the IP address (es) associated with the virtual router if it is the IP address owner. (Priority=255)
- C. A VRRP interface MUST NOT accept packets addressed to the IP address (es) associated with the virtual router if it is not the IP address owner (priority = 255)
- D. A VRRP interface MUST accept packets addressed to the IP address (es) associated with the virtual router if it is the IP address owner (priority = 255)

Correct Answer: CD

QUESTION 9

Where is the rate-limit feature of the Converged Campus architecture limited?

- A. uplink ports on the core switches
- B. access ports on the edge switches
- C. inter Switch Trunk ports on the core switches
- D. uplink ports on the edge switches

Correct Answer: ABD

QUESTION 10

Consider the following port conditions on an Ethernet Routing Switch (ERS) 8648GTRS 10/100/1000 Ethernet I/O module left LED -green Right LED - flashing

green.

What is the status of the port?

- A. The link speed is 100 Mbps. and the port is disabled.
- B. The link speed is 1000 Mbps, and the port is disabled
- C. The link speed is 100 Mbps. and the port is passing traffic.
- D. The link speed is 1000 Mbps. and the port is passing traffic.

Correct Answer: C

QUESTION 11

Which feature can be used on Split Multi-Link Franking (SMLT) with a SoftDown option?

- A. Extended control packet limit (ext-CP)
- B. Discard untagged frames
- C. Simple Loop Prevention Protocol (SLPP)
- D. Virtual Link Aggregation Protocol (VLACP)

Correct Answer: A

QUESTION 12

Avaya recommends using RSMLT edge in place of VRRP with Backup Master, when available what are two valid reasons for using RSMLT edge? (Choose two)

- A. the VRRP hold down timer cannot be set high enough to update the complete routing table when Layer 2 access requirements are high.
- B. RSMLT edge provides support for application where more than 255 redundant default gateways (VRRP limit) need to be provided.
- C. RSMLT edge allows the cluster to be configured to discard untagged frames in 1ST and SMLT ports.
- D. RSMLT edge is easier to configure and lightens the CPU load,
- E. RSML T dynamically balances the CPU load across the switch cluster.

Correct Answer: BD

QUESTION 13

Which protocol can be used for end-to-end detection in a network as well as for point-to-point detection?

- A. LACP
- B. VLACP
- C. RSTP
- D. MSTP

Correct Answer: B

QUESTION 14

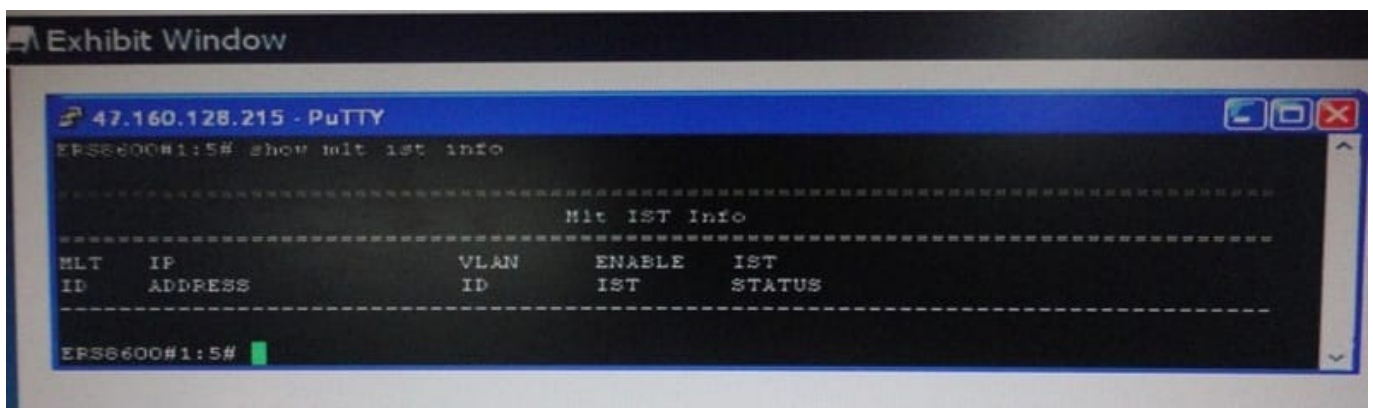
Syslog in the Ethernet Routing Switch (ERS) 8600 allows the mapping of ERS 8600 errors to specified to be specified to the facility local 0-local 7. What is another place of information that syslog provides.

- A. Security level
- B. Message frequency
- C. Syslog table location
- D. System status

Correct Answer: A

QUESTION 15

1ST configuration using the show mlt ist info command, which IP address should be in the IP ADDRESS column?



```
Exhibit Window
47.160.128.215 - PuTTY
EPS6600#1:5# show mlt ist info
-----
                               Mit IST Info
-----
MLT   IP          VLAN   ENABLE   IST
ID    ADDRESS       ID     IST      STATUS
-----
EPS6600#1:5#
```

- A. the IP address of the ISTVLAN on the local switch
- B. the IP address of the IST VL AN on the peer switch
- C. the IP address of the IST on the peer switch
- D. the management IP address of the peer switch

Correct Answer: B

[3605 PDF Dumps](#)

[3605 VCE Dumps](#)

[3605 Exam Questions](#)