

352-001^{Q&As}

CCDE Written Exam

Pass Cisco 352-001 Exam with 100% Guarantee

Free Download Real Questions & Answers **PDF** and **VCE** file from:

<https://www.leads4pass.com/352-001.html>

100% Passing Guarantee
100% Money Back Assurance

Following Questions and Answers are all new published by Cisco
Official Exam Center

-  **Instant Download** After Purchase
-  **100% Money Back** Guarantee
-  **365 Days** Free Update
-  **800,000+** Satisfied Customers



QUESTION 1

Which two are IoT sensor-specific constraints? (Choose two)

- A. Memory
- B. Processing power
- C. The amount of devices
- D. Cooling
- E. Standard transport protocols

Correct Answer: CE

QUESTION 2

When creating a network design that routes an IGP over L2VPNs, with which device does the remote CE router form an IGP adjacency?

- A. the hub site PE router
- B. the hub site CE router
- C. the directly connected PE router
- D. The IGP will not establish adjacency over the MPLS network.

Correct Answer: B

QUESTION 3

Which two techniques are used in a network design to slow down the distribution of topology information caused by a rapidly flapping link? (Choose two.)

- A. Bidirectional Forwarding Detection
- B. IP event dampening
- C. link-state incremental SPF
- D. link-state partial SPF
- E. LSA throttling
- F. SPF throttling

Correct Answer: BE

QUESTION 4

An enterprise company is attaching to a new Gigabit Ethernet-based link from the local service provider. This connection must have a 150 Mbps committed information rate.

For the design of this new service, which QoS mechanism must be used to ensure low packet loss within the service provider network?

- A. policing
- B. LLQ
- C. shaping
- D. CBWFQ

Correct Answer: C

QUESTION 5

Which two IoT use cases require the low latency and high reliability that 5G networks provide?

- A. Smart Home
- B. Automotive
- C. Health and Wellness
- D. Smart Cities
- E. Sports and Fitness

Correct Answer: BC

QUESTION 6

A service provider wants to use a controller to automate the provisioning of service function chaining.

Which two overlay technologies can be used with EVPN MP-BGP to create the service chains in the data center?

- A. VXLAN
- B. MPLS L2VPN
- C. Provider Backbone Bridging EVPN
- D. 802.1Q

Correct Answer: A

QUESTION 7

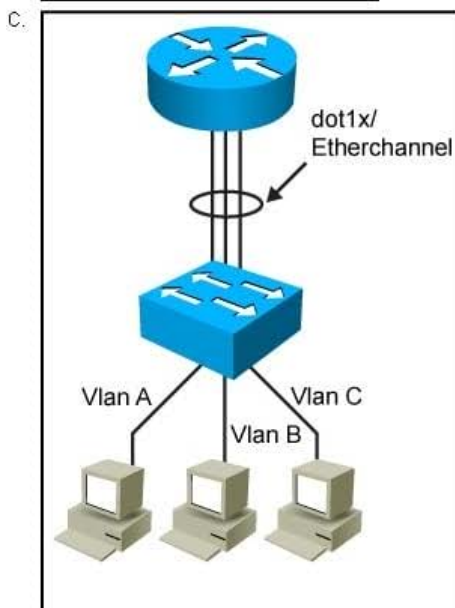
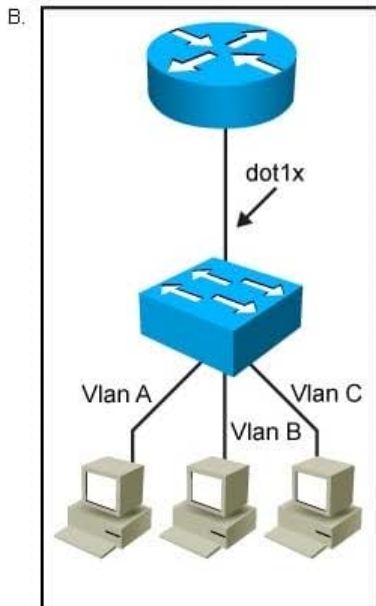
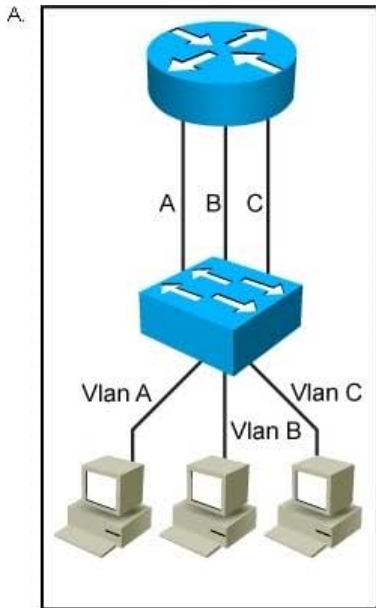
Which three characteristics of the Single Tier and the Dual Tier Headend Architectures for DMVPN designs are true? (Choose three.)

- A. A Dual Tier Headend Architecture is required when using dual cloud topologies with spoke-to-spoke connectivity
- B. In a Dual Tier Headend Architecture, the GRE tunnel endpoint and encryption endpoint functionalities are on different routers
- C. A Single Tier Headend Architecture is required when using dual cloud topologies with spoke-to-spoke connectivity
- D. In a Single Tier Headend Architecture, the GRE tunnel endpoint and encryption endpoint functionalities are on the same router
- E. In a Single Tier Headend Architecture, there is a single headend router per DMVPN cloud topology
- F. In a Dual Tier Headend Architecture, there are two different headend routers per DMVPN cloud for high availability purposes

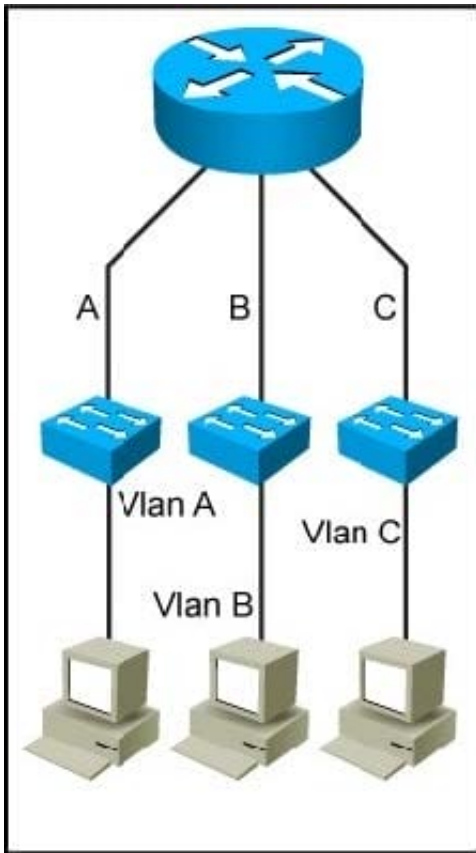
Correct Answer: BDF

QUESTION 8

Which network topology is characterized by a link fate-sharing situation?



A. B. C.



D.

Correct Answer: B

QUESTION 9

What are three key design principles when using a classic hierarchical network model? (Choose three.)

- A. The core layer controls access to resources for security.
- B. The core layer should be configured with minimal complexity.
- C. The core layer is designed first, followed by the distribution layer and then the access layer.
- D. A hierarchical network design model aids fault isolation.
- E. The core layer provides server access in a small campus.
- F. A hierarchical network design facilitates changes.

Correct Answer: BDF

QUESTION 10

Which ISAKMP feature can be used to reduce device CPU load by not sending keepalive messages for known active ISAKMP security associations?

- A. DPD
- B. IKEv2
- C. SPI
- D. main mode

Correct Answer: A

QUESTION 11

You are asked to provide a design that allows full dynamic routing updates between two networks: one network runs OSPF, and the other network runs EIGRP. Two links with an EIGRP neighbor relationship are provided to connect the networks and exchange routes. You are considering the use of routing loops.

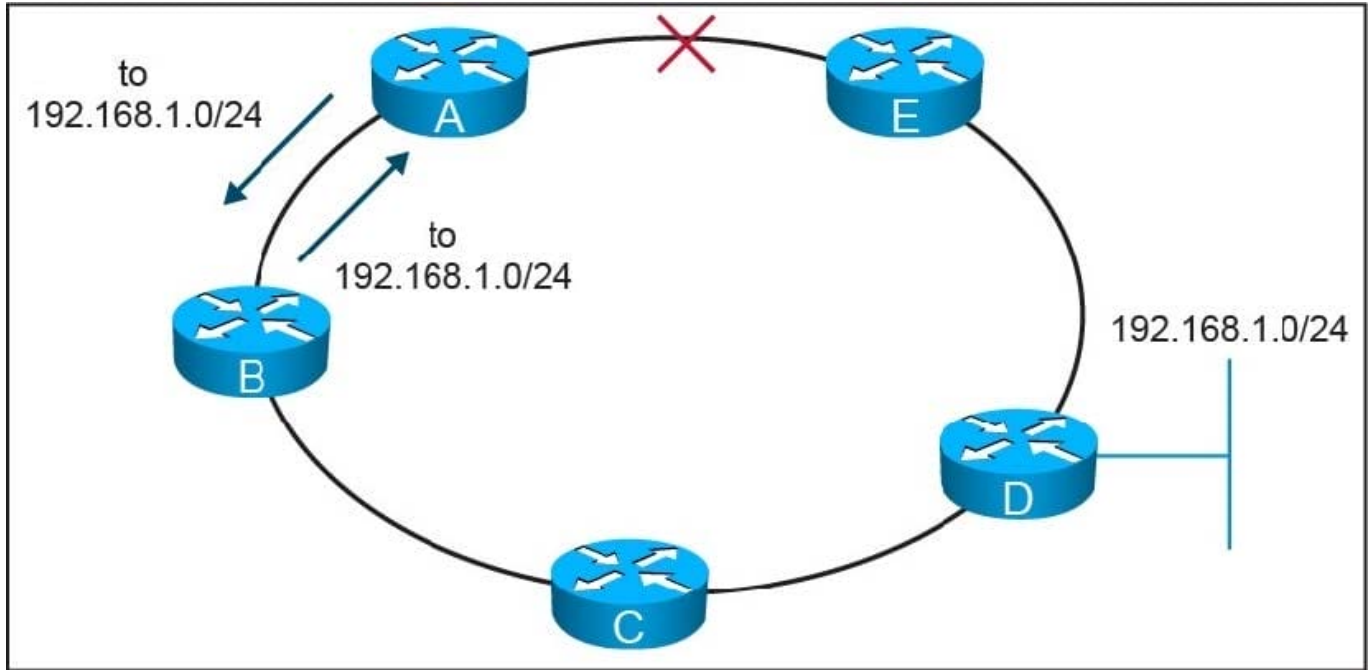
Which route-filtering method should you recommend, in order to prevent loops with the least amount of reconfiguration effort?

- A. distribute lists
- B. offset lists
- C. route filtering
- D. route tagging

Correct Answer: A

QUESTION 12

Refer to the exhibit.



On this MPLS-based network ring, links have failed between router A and router failures formed microloops while the network converged, when A forwarded traffic to B but B forwards it back to A. Which technology is the simplest solution to avoid microloops without enabling a new protocol in the network?

- A. TE Fast ReRoute
- B. IP Fast ReRoute
- C. Loop-Free Alternate
- D. Remote Loop-Free Alternate

Correct Answer: D

QUESTION 13

You are designing a Group Encrypted Transport virtual private network solution for an existing branch network. The existing network has the following characteristics:

50 remote sites (with an additional 30 remote sites expected over the next 3 years)

Connectivity between all sites is via Multiprotocol Label Switching Layer 3 virtual private network service from a single provider

Open Shortest Path First is the routing protocol used between provider edge and customer edge routers

The customer edge routers will become group members performing the encryption between sites

Which additional routing protocol would you use for the overlay routing between the group members?

- A. Open Shortest Path First (with a different process ID)

- B. Enhanced Interior Gateway Routing Protocol
- C. No additional protocol is necessary.
- D. External Border Gateway Protocol
- E. Routing Information Protocol Version 2
- F. Next Hop Resolution Protocol

Correct Answer: C

QUESTION 14

What is a key design aspect to be considered when designing an IP network that will be carrying real-time VoIP traffic?

- A. Minimizing total bidirectional end-to-end delay to 0-150 ms
- B. Minimizing total unidirectional end-to-end delay to 150-500 ms
- C. Minimizing total bidirectional end-to-end delay to 0-50 ms
- D. Minimizing total unidirectional end-to-end delay to 0-150 ms

Correct Answer: D

QUESTION 15

What statement is true about designing a policy in which more than one class share a queue?

- A. It must be avoided under all circumstances.
- B. It will result in a negative class.
- C. It requires consideration of the performance targets of classes sharing the queue.
- D. It should be deployed throughout the network to simplify the design.

Correct Answer: C

[352-001 Study Guide](#)

[352-001 Exam Questions](#)

[352-001 Braindumps](#)