

## 350-601<sup>Q&As</sup>

Implementing and Operating Cisco Data Center Core Technologies  
(DCCOR)

**Pass Cisco 350-601 Exam with 100% Guarantee**

Free Download Real Questions & Answers **PDF** and **VCE** file from:

<https://www.leads4pass.com/350-601.html>

100% Passing Guarantee  
100% Money Back Assurance

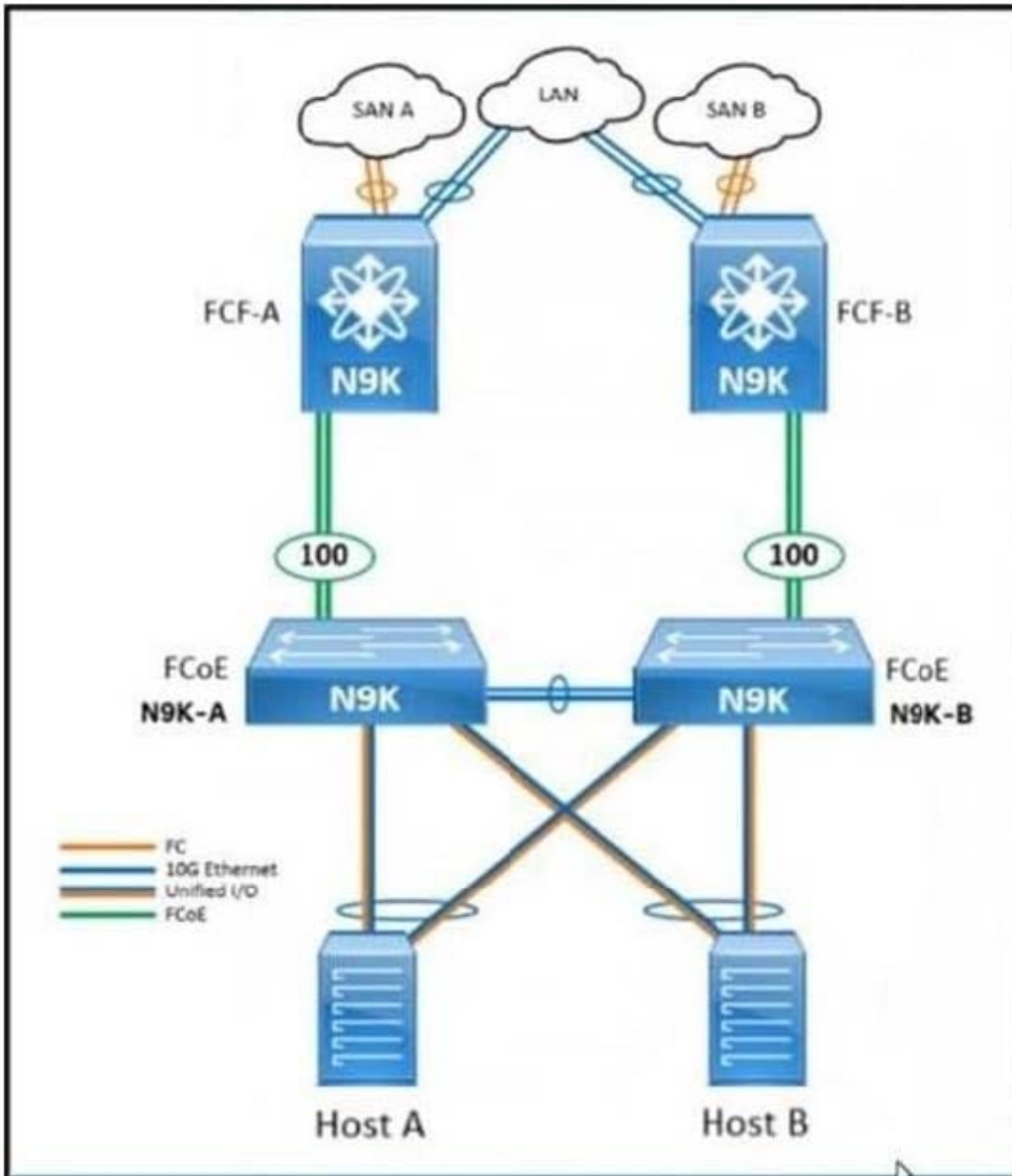
Following Questions and Answers are all new published by Cisco  
Official Exam Center

- ⚙️ **Instant Download** After Purchase
- ⚙️ **100% Money Back** Guarantee
- ⚙️ **365 Days** Free Update
- ⚙️ **800,000+** Satisfied Customers



**QUESTION 1**

Refer to the exhibit.



An engineer must configure FCoE between the N9K-A switch and the FCF-A Nexus 9000 core switch. The deployment has these characteristics:

The N9K-A and N9K-B top-of-rack switches share the domain ID of the core switches.

The hosts are equipped with converged network adapters.

The only VSAN that is used is permitted to traverse port-channel 100 is VSAN 20.

Which configuration completes the FCoE configuration on the N9K-A device?

- A. N9K-A(config)# feature-set fcoe-npv N9K-A(config)# interface vfc-port-channel 100 N9K-A(config-if)# switchport mode E N9K-A(config-if)# switchport trunk allowed vsan 1, 20
- B. N9K-A(config)# feature-set fcoe-npv N9K-A(config)# interface vfc-port-channel 100 N9K-A(config-if)# switchport mode NP N9K-A(config-if)# switchport trunk allowed vsan 20
- C. N9K-A(config)# feature fcoe N9K-A(config)# feature npv N9K-A(config)# interface vfc 100 N9K-A(config-if)# bind interface port-channel 100 N9K-A(config-if)# switchport mode N N9K-A(config-if)# switchport trunk allowed vsan 1, 20
- D. N9K-A(config)# feature fcoe N9K-A(config)# feature npv N9K-A(config)# interface vfc 100 N9K-A(config-if)# bind interface port-channel 100 N9K-A(config-if)# switchport mode F N9K-A(config-if)# switchport trunk allowed vsan 20

Correct Answer: B

## QUESTION 2

DRAG DROP

An engineer is configuring VNTag between a virtualized server and a Cisco Nexus 5500 Series switch.

Drag and drop the configuration steps from the left into the correct order on the right.

Select and Place:

Configure support for VNTag mode on the interface that connects to the server.	Step 1
Configure the vNICs of the server.	Step 2
Configure the server to support NIV mode.	Step 3
Enable the virtualization feature set.	Step 4
Configure the port profile.	Step 5
Install the virtualization feature set.	Step 6

Correct Answer:

	Install the virtualization feature set.
	Enable the virtualization feature set.
	Configure the port profile.
	Configure support for VNTag mode on the interface that connects to the server.
	Configure the server to support NIV mode.
	Configure the vNICs of the server.

Reference: [https://www.cisco.com/c/en/us/td/docs/switches/datacenter/nexus5500/sw/adapter-fex/6x/b\\_5500\\_Adapter\\_FEX\\_Config\\_6x/b\\_5500\\_Adapter\\_FEX\\_Config\\_602N11\\_chapter\\_010.html](https://www.cisco.com/c/en/us/td/docs/switches/datacenter/nexus5500/sw/adapter-fex/6x/b_5500_Adapter_FEX_Config_6x/b_5500_Adapter_FEX_Config_602N11_chapter_010.html)

### QUESTION 3

Which storage protocol reduces file locks by using leasing?

- A. CIFS
- B. NFS 4
- C. NFS 3
- D. SMB

Correct Answer: D

<https://www.ciscolive.com/c/dam/r/ciscolive/apjc/docs/2016/pdf/BRKCOM-1211.pdf>

- **SMB Directory Leasing**
  - Ability to cache file and directory metadata
  - Branch offices need to make less round trips to the central server

**QUESTION 4**

An engineer evaluates a UI-based infrastructure management system capable of monitoring and deploying standalone VXLAN BGP EVPN deployments. The storage administrators also need the solution to manage the Cisco MDS 9000 Series Switches. Which solution meets these requirements?

- A. DCNM
- B. Tetration
- C. UCSD
- D. Intersight

Correct Answer: A

---

**QUESTION 5**

A network administrator must create a Linux container on a Cisco Nexus Series Switch. The container requires 10 percent of the CPU of the switch and 1024 MB of RAM to run successfully. Which task provides the necessary resources?

- A. Edit the container properties with the guestshell run command.
- B. Increase the compute resources with the guestshell resize command.
- C. Enable the Bash shell of the switch with the feature bash command
- D. Modify resource allocation with the virtual-service resize command.

Correct Answer: B

---

**QUESTION 6**

A customer has a requirement to deploy a cloud service and needs to have full control over the underlying OS, data and application. Which cloud model meets this requirement?

- A. PaaS
- B. MaaS
- C. IaaS
- D. SaaS

Correct Answer: C

Traditional IT is responsible for Application, Data, Runtime, Middleware, OS, Virtualization, Servers, Storage, Networking. IaaS = Infrastructure as a Service-is responsible for OS, Virtualization, Servers, Storage, Networking. SaaS = Software as a Service-Software deployed by the cloud provider-is responsible for nothing. PaaS = Platform as a Service-Software can be deployed by the customer building their own application | is responsible for Data and Application.

---

**QUESTION 7**

Refer to the exhibit

```
MDS# show role
Role: network-admin
Description: Predefined network admin role
-----
Rule    Perm   Type   Scope   Entity
-----
rule 5  permit show feature hardware
rule 4  permit show feature environment
rule 3  permit config feature ntp
rule 2  permit config feature ssh
rule 1  permit config feature tacacs+

Role: Custom-Role-B
Description: Additional admin role
-----
Rule    Perm   Type   Scope   Entity
-----
rule 6  permit config feature dpvm
rule 1  deny  config feature tacacs+
```

A Cisco MDS 9000 Series Switch is configured with RBAC

The default role applies to all users User A is also assigned to the role Custom-Role-B

Which set of features will user A be authorized to configure?

- A. hardware environment TACACS+
- B. NTP SSH DPVM
- C. DPVM NTP SSH hardware
- D. SSH DPVM TACACS+ NTP

Correct Answer: D

**QUESTION 8**

An engineer must implement Strict Unicast Reverse Path Forwarding mode for IPv4 packets on the Ethernet1/1 interface on the Cisco Nexus 9500 Series Switch. Which configuration achieves this goal?

- A. interface Ethernet1/1 ip address 172.16.10.1/24 ip verify unicast source reachable-via rx

- B. interface Ethernet1/1 ip address 172.16.10.1/24 ip verify unicast source any
- C. interface Ethernet1/1 ip address 172.16.10.1/24 ip verify unicast source reachable-via any
- D. interface Ethernet1/1 ip address 172.16.10.1/24 ip verify unicast source rx

Correct Answer: A

---

#### QUESTION 9

A customer asks an engineer to develop a framework that will be used to replace the process of the manual device configuration of Cisco NX-OS devices. The engineer plans to use the programmatic interface that meets these requirements:

1.

The development team is familiar with Windows-based scripting environment using PowerShell.

2.

The customer's security requirements mandate the use of HTTPS transport.

Which solution must be used to meet these requirements?

- A. NETCONF-YANG
- B. NX-API
- C. VISORE
- D. Open Agent Container

Correct Answer: B

---

#### QUESTION 10

A network engineer must SPAN only the ingress traffic of a Cisco MDS 9000 series switch from interface fc 1/23 to interface fc 1/24.

Which two configuration must be applied to complete this task? (Choose two)

```
interface fc 1/24
-- output omitted --
no shutdown
span session 1
-- output omitted --
destination interface fc 1/24
```

- A. MDS-A(config-span)# source interface fc 1/23
- B. MDS-A(config-if)# switchport mode SD
- C. MDS-A(config-span)# source interface fc 1/23 rx
- D. MDS-A(config-span)# source interface fc 1/23 tx
- E. MDS-A(config-if)# switchport mode TL

Correct Answer: BC

---

#### QUESTION 11

Which two actions are needed to configure a single Cisco APIC controller for Cisco ACI fabric for the first time? (Choose two.)

- A. Register the APIC that is connected to the switch.
- B. Configure the first Cisco APIC controller
- C. Configure the leaf switch where the Cisco APIC is connected, using CLI to allow APIC connectivity
- D. Register the switches that are discovered through LLDP.
- E. Register all leaf and spine switches

Correct Answer: AE

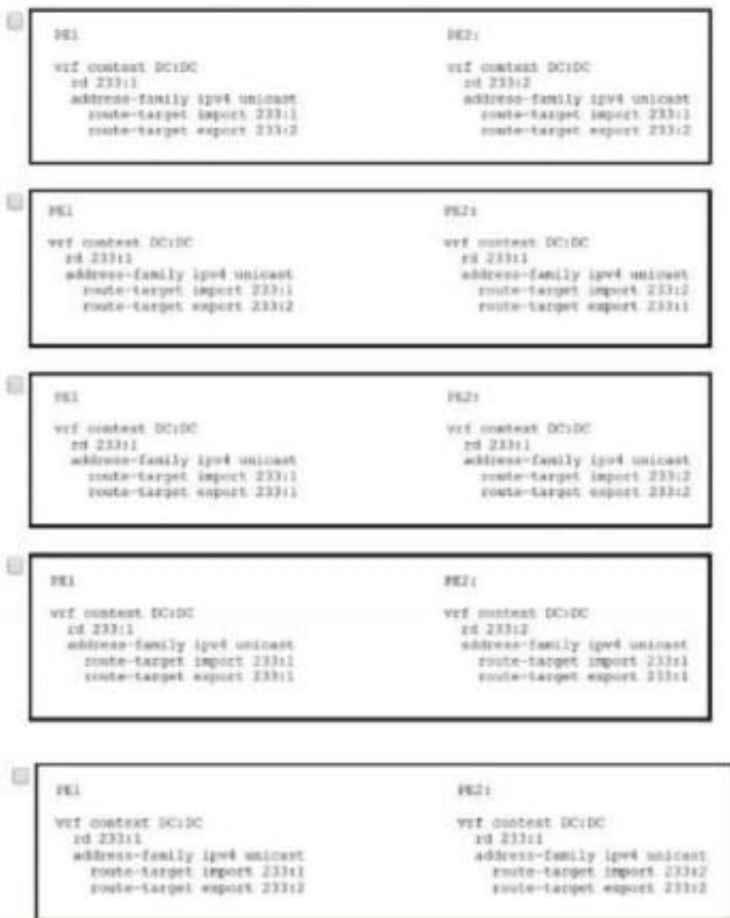
---

#### QUESTION 12

An engineer must add a new VRF (DC DC) to the network that runs with Multiprotocol Border Gateway Protocol (MP-BGP) and EVPN. The requirement for the new VRF is to allow communication of network prefixes between PE1 and PE2.

Which two sets of steps should be taken to complete the VRF configuration? (Choose two)





- A. Option A
- B. Option B
- C. Option C
- D. Option D
- E. Option E

Correct Answer: DE

### QUESTION 13

An engineer is implementing the Cisco ACI fabric and must create two different vPCs from leaf switches A and B. The vPCs are deployed as follows:

1. vPC 1 encompasses ports Eth 1 /1 on leaf A and B and connects to server 1.
- 2.

vPC 2 encompasses port Eth1/2 on leaf A and B and connects to server 2.

3.

A leaf switch profile listing leaves A and B is already configured

Which ACI object must be created to meet these requirements?

- A. two vPC interface policy groups
- B. one access port interface policy group
- C. two PortChannel interface policy groups
- D. one vPC interface policy group

Correct Answer: A

---

#### QUESTION 14

A network architect is asked to design and manage geographically distributed data centers across cities and decides to use a Multi-Site Orchestrator deployment. How many orchestrators should be deployed?

- A. 3
- B. 5
- C. 4
- D. 2

Correct Answer: A

<https://www.cisco.com/c/en/us/solutions/collateral/data-center-virtualization/application-centricinfrastructure/white-paper-c11-739609.html>

---

#### QUESTION 15

An engineer must create an EPG called "Test". The configuration request should succeed if the Tenant called "Tenant" and the application profile called "Test" exist. The firewall policy allows only the HTTP connectivity to APIC from the user's computer.

Which action accomplishes this goal?

- A. Send to APIC payload using HTTP PUT to the Cisco APIC.
- B. Send to APIC payload using HTTP POST to the Cisco APIC.
- C. Send to APIC payload using HTTP POST to the Cisco APIC.
- D. Send to APIC payload using HTTP PUT to the Cisco APIC.

Correct Answer: B

Based on the question a tenant named Tenant and an application profile Test should exist.

[350-601 VCE Dumps](#)

[350-601 Study Guide](#)

[350-601 Braindumps](#)