

## 1Y0-402<sup>Q&As</sup>

Citrix XenApp and XenDesktop 7.15 Assessment, Design and Advanced Configurations

### Pass Citrix 1Y0-402 Exam with 100% Guarantee

Free Download Real Questions & Answers **PDF** and **VCE** file from:

<https://www.leads4pass.com/1y0-402.html>

100% Passing Guarantee  
100% Money Back Assurance

Following Questions and Answers are all new published by Citrix Official Exam Center

- ⚙️ **Instant Download** After Purchase
- ⚙️ **100% Money Back** Guarantee
- ⚙️ **365 Days** Free Update
- ⚙️ **800,000+** Satisfied Customers



## QUESTION 1

Scenario: A Citrix Architect in configuring a multi-location profile strategy as part of a large XenApp and XenDesktop solution. The architect needs to implement a single policy that sets the profile path for all users and distributes the user profiles between three shares and three file servers.

New York users – Server:NYC-FS.company.lan – Share: NYC-Profiles\$

Miami users – Server:MIA-FS.company.lan – Share: MIA-Profiles\$

San Francisco users – Server:SFO-FS.company.lan – Share: SFO-Profiles\$

Which value constitutes a valid path for use with a Citrix Profile Management policy?

- A. \\%DataCenter%-FS.company.lan\%UserHome%-Profiles\$\#sAMAccountName#\%ProfileVer%\
- B. \\#DataCenter#-FS.company.lan\#DataCenter#-Profiles\$\#sAMAccountName#\%ProfileVer%\
- C. \\#DFS-ROOT#.company.lan\%HomeLocation%\#sAMAccountName#\%ProfileVer%\
- D. \\%DFS-ROOT%.company.lan\%HomeShare%\#sAMAccountName#\%ProfileVer%\

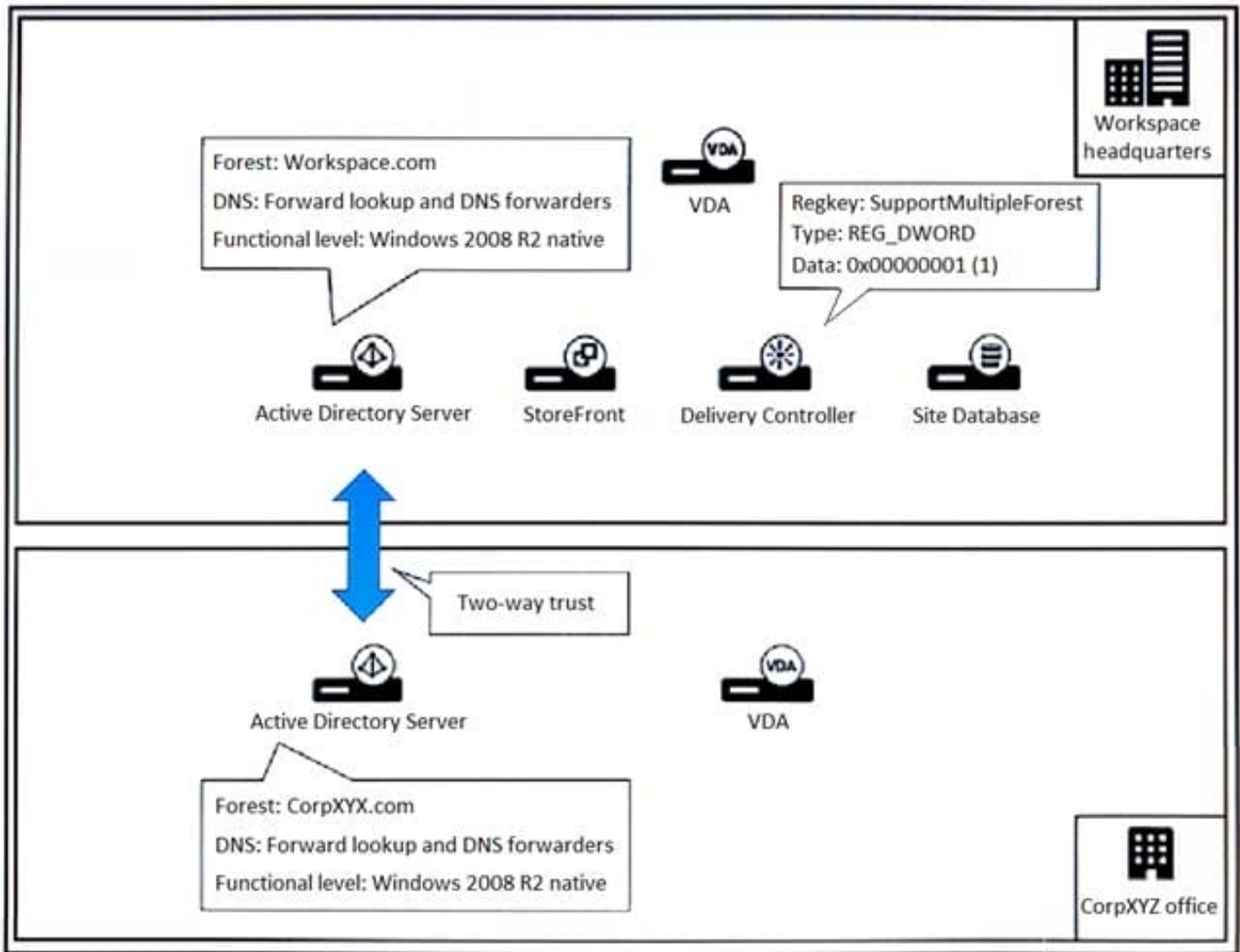
Correct Answer: D

---

## QUESTION 2

Scenario: A Citrix Architect is reviewing a XenApp and XenDesktop design for an environment with multiple Active Directory forests.

Click the Exhibit button to view the design details.



Which risk should the architect highlight to the customer, based on the details listed in the Exhibit?

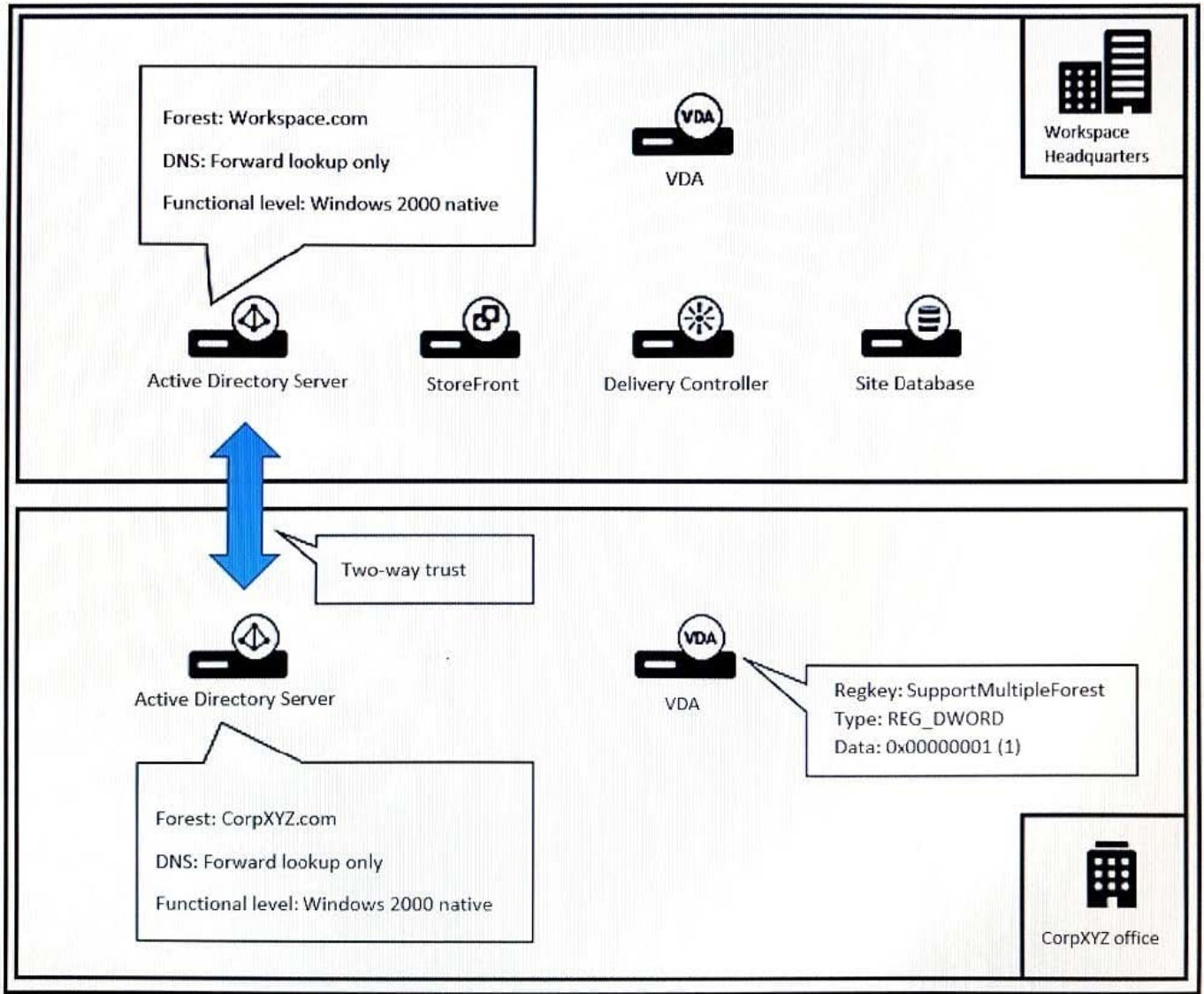
- A. The SupportMultipleForest registry key is configured incorrectly.
- B. The Active Directory trust method is configured incorrectly.
- C. The Active Directory functional level is configured incorrectly.
- D. The DNS lookup strategy is configured incorrectly.

Correct Answer: C

**QUESTION 3**

Scenario: A Citrix Architect is reviewing a XenApp and XenDesktop design for an environment with multiple Active Directory forests.

Click the Exhibit button to view the design details.



Which risk should the architect highlight to the customer, based on the details listed in the Exhibit?

- A. The SupportMultipleForest registry key is NOT supported.
- B. The Active Directory trust method is NOT supported.
- C. The Active Directory functional level is NOT supported.
- D. The DNS lookup strategy is NOT supported.

Correct Answer: C

**QUESTION 4**

Which user-segmentations actions should the consultant pursue?

- A. Analyze existing data, confirm user groups, and discover user requirements.

- B. Analyze existing data, confirm user groups, and confirm user requirements.
- C. Collect user data, confirm user groups, and confirm user requirements.
- D. Collect user data, define user groups, and confirm user requirements.

Correct Answer: D

---

**QUESTION 5**

Scenario: A Citrix Architect needs to design a new XenApp and XenDesktop environment. Citrix Provisioning Services has been selected for image management.

Which two RAID levels should the architect use for the storage hosting the Provisioning Service write cache? (Choose two.)

- A. RAID 0
- B. RAID 1
- C. RAID 10
- D. RAID 6
- E. RAID 5

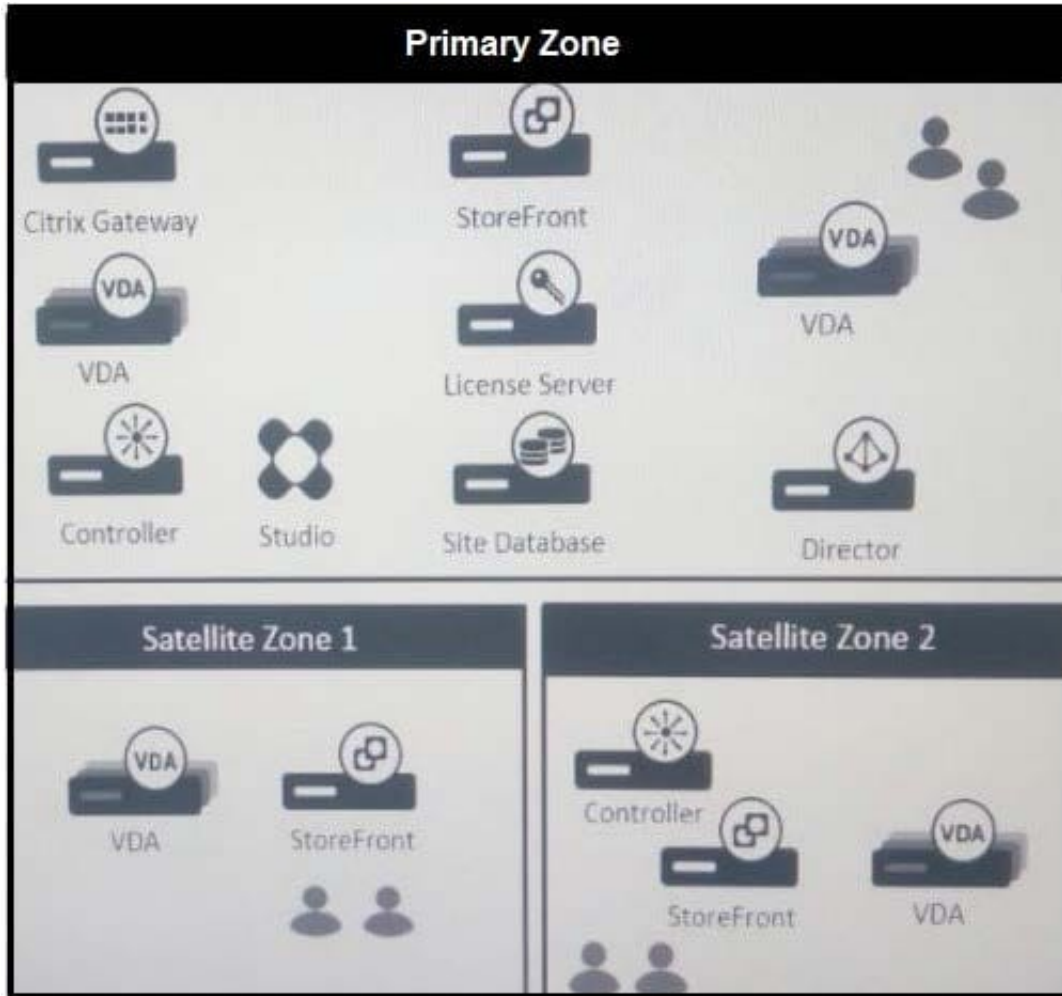
Correct Answer: BC

---

**QUESTION 6**

Scenario: A Citrix Architect needs to access a XenApp and XenDesktop environment. The XenApp and XenDesktop diagram in the Exhibit gives details about the current Site and Zone design.

Click the Exhibit button to view the diagram.



Which statement is correct if all the Delivery Controllers in Satellite Zone 2 fail?

- A. Virtual Delivery Agent (VDA) machines in Zone 2 will register within the Primary Zone.
- B. Virtual Delivery Agent (VDA) machines in Zone 2 will register within Satellite Zone 1.
- C. Virtual Delivery Agent (VDA) machines will register using the Local Host Cache
- D. Virtual Delivery Agent (VDA) machines in Satellite Zone 2 will NOT register

Correct Answer: D

**QUESTION 7**

Scenario: A Citrix Architect is designing a XenDesktop environment. The Graphic Editors group uses a graphic-intensive and media-rich application. Graphic Editors will be provided with a Windows Server 2016 Desktop with NVIDIA graphics hardware acceleration. HDX 3D Pro and Server VDI options were selected during the command-line installation of the Virtual Delivery Agent (VDA).

Which limitation will affect the Graphic Editors group?

- A. GPU acceleration of OpenGL



- B. Support for a single user session per VDA
- C. Support for H.264 graphics protocol
- D. GPU acceleration of DirectX

Correct Answer: D

## QUESTION 8

Scenario: A Citrix Architect needs to design a new XenApp and XenDesktop environment.

The architect has identified the User Layer requirements, as shown in the Exhibit.

Click the Exhibit button to view the requirements.

User Group	User Devices	Connection Point	Security Requirements
<b>Accountants</b>	Corporate-owned desktops, laptops	Internal	Should minimize user effort required to authenticate while meeting general security requirements
<b>Executives</b>	BYOD smartphones, tablets	Internal and External	Should minimize user effort required to authenticate while meeting general security requirements
<b>Customers</b>	Public kiosks	Internal	Use kiosks to access a published app hosted by a group of servers in an isolated network segment  Should NOT have knowledge of Workspace Services credentials
<b>Contractors</b>	BYOD desktops, laptops	External	User devices must have up-to-date antivirus software installed before they can access the XenApp and XenDesktop environment.  Should NOT have knowledge of Workspace Services credentials and must supply their own authentication provider

Additionally, management at the organization has identified the following general Access Layer requirements:

A multi-factor authentication method is required for any connections to the XenApp and XenDesktop environment originating from outside the corporate network.

External connections must be authenticated by a NetScaler Gateway virtual server located in a DMZ network.

Internal connection traffic should NOT leave the internal corporate network.

Which two authentication methods should the architect use for the Contractors group? (Choose two.)

- A. RADIUS authentication
- B. Smart Cards
- C. SAML authentication
- D. Domain pass-through
- E. Federated Authentication Service
- F. Username and password

Correct Answer: CE

**QUESTION 9**

Scenario: A Citrix Architect needs to design a new XenApp and XenDesktop environment.

The architect has identified the Resource Layer requirements shown in the Exhibit.

Click the Exhibit button to view the requirements.

User Group	Do user settings need to persist?	Assigned FlexCast model	Access required to profile folders?	Additional Requirements
<b>Accountants</b>	Yes	Published apps	Yes, the following folders should be available: <ul style="list-style-type: none"> <li>• Contacts</li> <li>• Desktop</li> <li>• Favorites</li> <li>• My Documents</li> </ul>	Needs synchronization of a specific application log file within the AppData folder
<b>Executives</b>	Yes	Remote PC Access	Yes, the following folders should be available: <ul style="list-style-type: none"> <li>• Contacts</li> <li>• Desktop</li> <li>• Downloads</li> <li>• Favorites</li> <li>• My Documents</li> </ul>	Needs ability to use resource locally while offline
<b>Graphic Designers</b>	Yes	Hosted VDI (Static / persistent, uses vGPU)	No	No
<b>Customer Service</b>	No	Published Desktop (Server OS)	No	No

Additionally, management at the organization has identified the following general Resource Layer requirements:

The profile solution should minimize logon and logoff times as much as possible. The time required to configure and



maintain the solution should be minimized. User groups do NOT need to use the same profile type.

Which profile type should the architect use for the Customer Service group?

- A. Microsoft roaming
- B. Mandatory
- C. Local
- D. Citrix Profile Management

Correct Answer: C

---

#### QUESTION 10

Scenario: During an assessment of a Citrix Infrastructure, a Citrix Architect finds that there are four active Sites. Each Site has one NetScaler SDX pair and two StoreFront servers in a server group to allow access for internal and external users. Users have to use different URLs when they access resources from different Sites. Single-factor authentication is used for both internal and external access. NetScaler appliances are placed in the DMZ with the appropriate firewall ports configured to allow Citrix traffic. Many of the internal users connect using corporate-owned laptops and some external users also connect using personal devices.

Management is planning to create one more Site and has asked the architect to perform scalability testing and advise how many NetScaler appliances are needed for the new Site.

What is the primary determining factor that the architect can use to help identify the appropriate NetScaler platform in this scenario?

- A. SSL VPN
- B. SSL Throughput
- C. ICA Proxy
- D. Ethernet Ports

Correct Answer: B

---

#### QUESTION 11

Scenario: A Citrix Architect is designing a XenDesktop environment. The Graphic Designers group uses a graphic-intensive application. Graphic Designers will be provided with a Windows 10 Hosted Personal Desktop, with NVIDIA graphics hardware acceleration. HDX 3D Pro mode was selected during the installation of Virtual Delivery Agent (VDA).

What is the maximum number of monitors supported for the Graphic group?

- A. 6
- B. 2
- C. 8

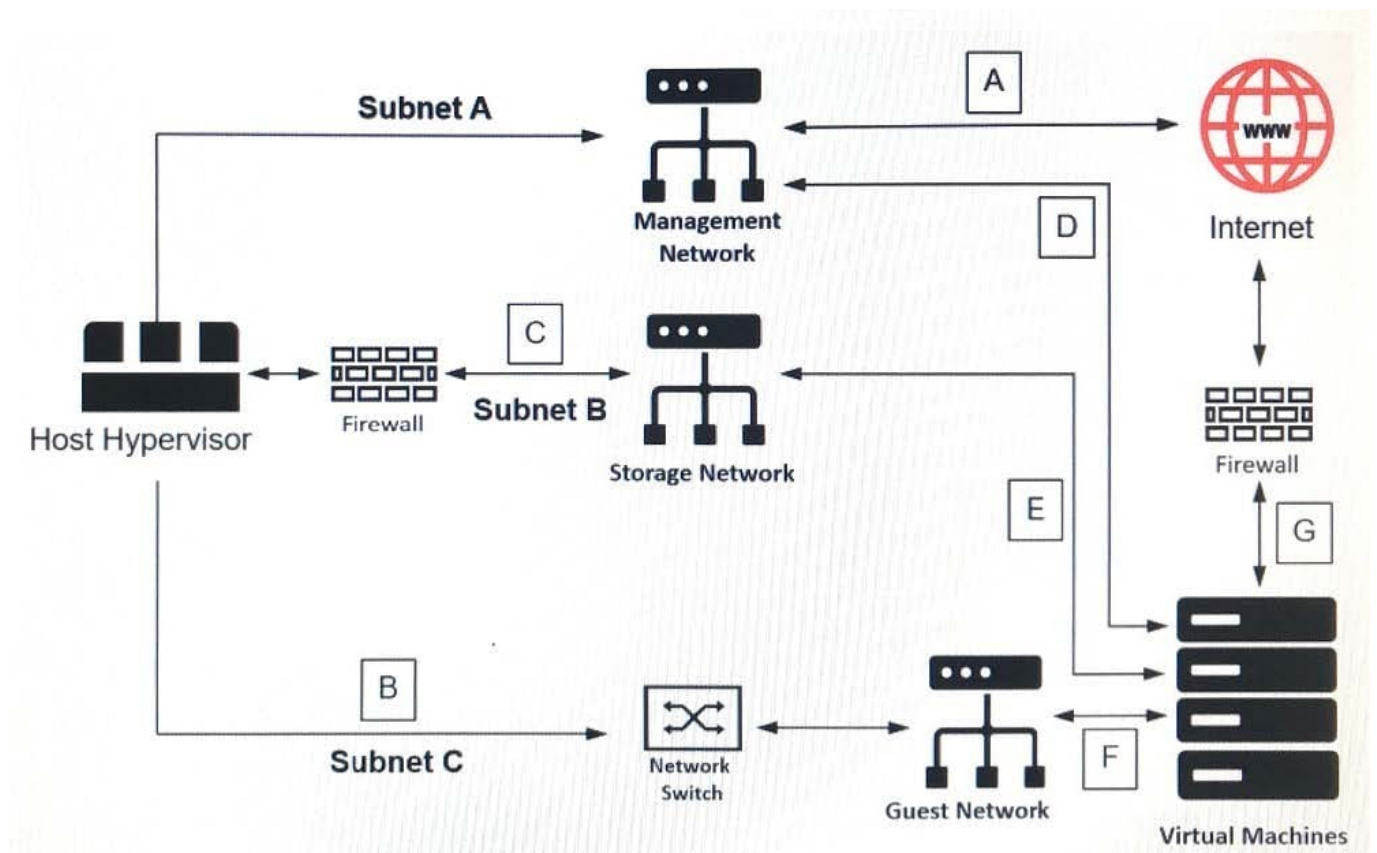
D. 4

Correct Answer: D

**QUESTION 12**

Scenario: A Citrix Architect must complete a XenApp and XenDesktop security assessment. After examining the network topology for the hypervisor hosts supporting the Virtual Delivery Agent (VDA) machines, the architect finds that some of the network connections are NOT following leading security practices.

Click the Exhibit button to view a high-level diagram which shows the connectivity between various components.



Which three of the labeled areas of the diagram represent connections which are NOT following Citrix leading security practices? (Choose three.)

- A. G
- B. B
- C. A
- D. E
- E. F
- F. D

G. C

Correct Answer: DEF

### QUESTION 13

Scenario: A Citrix Architect needs to design a new XenApp and XenDesktop environment.

The architect has identified the access requirements listed in the Exhibit.

Click the Exhibit button to view the requirements.

User Groups	Endpoint	Authentication	Receiver Type	Deploy Receiver Client	Resource Filtering	Subscriptions	External Access Required
Accountants	Corporate-owned	Smart Card	Receiver 4.10	No	No	Enabled	No
Executives	BYOD	Username & Password	HTML5	-	No	Disabled	No
Graphic Designers	Mac BYOD	Username & Password	MAC Receiver 4.10	Yes	No	Enabled	No
Customer Service	Corporate-owned	Anonymous Access	Receiver 4.10	No	No	Disabled	Yes
Sales	BYOD	Username & Password	Receiver 4.10	Yes	No	Disabled	No

- Users must be presented only with the specific authentication method.
- Users will be using a mix of both native Receiver and Receiver for Web.
- NetScaler authentication policies will control remote access.

A single store has already been configured with the following settings, every other setting has been kept as a default.

Username/Password authentication No resource filtering NetScaler Gateway is configured for authentication No IIS redirection Deploy Receiver 4.10 installer

The architect needs to evaluate whether the current store, which cannot be changed, meets the requirements of the user groups and needs to determine how many additional stores are required.

How many additional StoreFront stores does the architect need to support the requirements shown in the Exhibit?

- A. 1
- B. 4
- C. 3
- D. 5
- E. 2

Correct Answer: E

### QUESTION 14

As part of an application analysis performed earlier in the project, the information in the Exhibit was collected regarding one of the required applications.

Click the Exhibit button to view the information.

Category	Detail
Application Name	Workspace PDF
Description	Application that can be used to view, create, edit, and publish PDFs
Usage	The application is used throughout the organization.
OS Compatibility	The application is compatible with the target operating systems.
Special Considerations	The application uses a Windows service to print PDFs and another to convert PDF files to and from other file formats.  The application includes shell extensions that are integral to the user workflow.

Additionally, the customer has the following objectives:

1.  
Minimize the time required to perform application patches and updates
2.  
Each department should have a dedicated image that is NOT accessible to other departments
3.  
Each departmental image should only include the applications required by that department How should the architect install the application?
  - A. Directly on endpoint devices and included in a virtual desktop session using the Local App Access feature
  - B. On an Application Layer using Citrix App Layering, be included in a layered image, and accessed through a virtual desktop session
  - C. Directly on a Server OS VDA machine and accessed from the endpoint as a published application
  - D. Stream it to a VDA machine using Microsoft App-V and accessed through a virtual desktop session
  - E. On an Application Layer using Citrix App Layering then be presented to assigned users as an Elastic Layer during a virtual desktop session

Correct Answer: C

### QUESTION 15

Scenario: A Citrix Architect needs to design a new XenApp and XenDesktop environment. The architect has identified the requirements, based on the assessment and early stages of the design.

Click the Exhibit button to view the requirements.

Design Topic	Design Decision
Deployment type	On-premises datacenter
Licensing	XenApp Enterprise edition, concurrent licenses
Max concurrent users	500
Images	<ul style="list-style-type: none"><li>• Windows Server 2012 R2<ul style="list-style-type: none"><li>◦ FlexCast model: Published apps</li></ul></li></ul>
Primary Applications	<ul style="list-style-type: none"><li>• Microsoft Office 2016: All users</li><li>• Adobe Acrobat: All users</li><li>• Mozilla Firefox: All users</li></ul>

Additionally, the IT team has identified the following general requirements:

The provisioning strategy should be compatible with the planned design decisions.

The provisioning strategy should minimize the steps required to perform image and application updates.

Which three follow-up questions should the architect ask about this environment, based on the planned design decisions? (Choose three.)

- A. How much storage is available for the Virtual Delivery Agent (VDA) machines?
- B. What is the VM uplink speed in the current deployment?
- C. Is PXE currently being used in the subnets where the Virtual Delivery Agent (VDA) machines will be placed?
- D. Will the machines using the images be physical or virtual?
- E. Are there any applications which must only be accessed by a subset of users?

Correct Answer: ABC

[1Y0-402 VCE Dumps](#)

[1Y0-402 Practice Test](#)

[1Y0-402 Braindumps](#)