

## 100-890<sup>Q&As</sup>

Supporting Cisco Collaboration Devices

### Pass Cisco 100-890 Exam with 100% Guarantee

Free Download Real Questions & Answers **PDF** and **VCE** file from:

<https://www.leads4pass.com/100-890.html>

100% Passing Guarantee  
100% Money Back Assurance

Following Questions and Answers are all new published by Cisco  
Official Exam Center

-  **Instant Download** After Purchase
-  **100% Money Back** Guarantee
-  **365 Days** Free Update
-  **800,000+** Satisfied Customers



**QUESTION 1**

Which CLI command gets more information about a microphone?

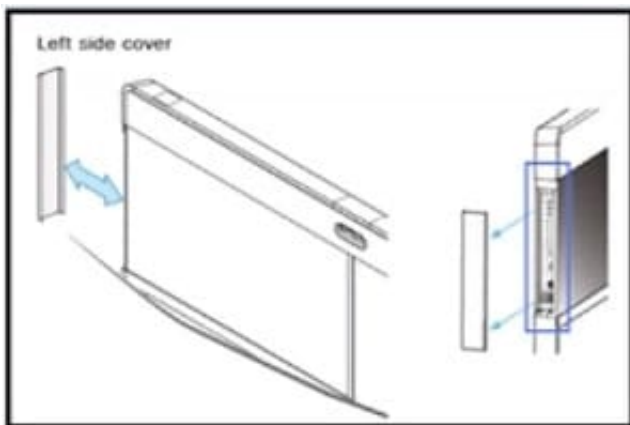
- A. xstatus audio microphones
- B. xconfig audio microphones
- C. xcommand microphones?
- D. xiconfig /audio-m

Correct Answer: A

---

**QUESTION 2**

Refer to the exhibit.



Which component can be found in the Cisco Webex Room 70D system left screen Host CPU Screen control unit PDU Codec?

- A. Host CPU
- B. Screen control unit
- C. PDU
- D. Codec

Correct Answer: C

---

**QUESTION 3**

Which two protocols are peer-to-peer signaling protocols where the end devices contain the intelligence to initiate and

terminate calls and interpret call control messages? (Choose two )

- A. H.248
- B. SCCP
- C. H.323
- D. SIP
- E. MGCP

Correct Answer: CD

Explanation: SIP and H.323 are examples of peer-to-peer signaling protocols where the end devices or gateways contain the intelligence to initiate and terminate calls and interpret call control messages

<https://www.ccexpert.us/voice-over-ip/mcu.html>

---

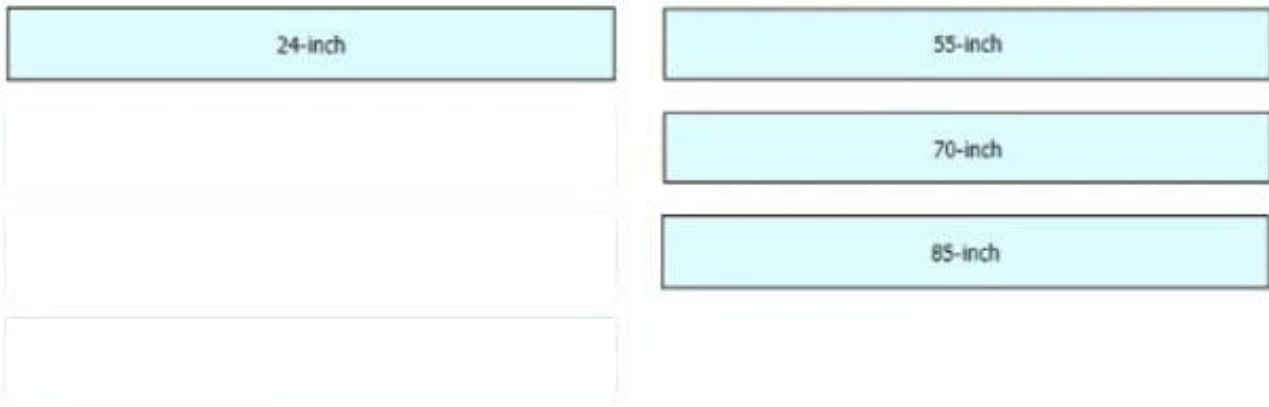
#### QUESTION 4

Drag and drop the sizes from the left onto the availability for Webex Board on the right Not all sizes are used.

Select and Place:

24-inch	available size for Webex Board
55-inch	available size for Webex Board
70-inch	available size for Webex Board
85-inch	

Correct Answer:



<https://www.webex.com/video-conference-equipment/webex-boards.html>

---

## QUESTION 5

What does the status LED around the power button on the DX80 mean when it repeatedly flashes twice?

- A. standby mode
- B. incoming call
- C. no network connection
- D. normal operation

Correct Answer: C

<https://www.cisco.com/c/dam/en/us/td/docs/telepresence/endpoint/ce90/dx70-dx80-administrator-guide-ce90.pdf>

---

## QUESTION 6

To verify endpoint IP information, what can be accessed from the remote control?

- A. Settings
- B. General Section
- C. Network section
- D. System Information

Correct Answer: A

---

## QUESTION 7

From the Diagnostics page, which two alerts are clearly marked red? (Choose two )

- A. Out of service
- B. Errors
- C. Blockage
- D. Critical
- E. Warning

Correct Answer: AB

---

## QUESTION 8

What provides the coding and decoding translation between analog and digital facilities?

- A. Transformer
- B. Translator
- C. Converter
- D. Codec

Correct Answer: D

---

## QUESTION 9

Which command is less technical for "latency"?

- A. nslookup
- B. ping
- C. netstat -a
- D. traceroute

Correct Answer: D

---

## QUESTION 10

Which core component is supported by the Cisco Meeting Server 1000 and 2000, in addition to the Call Bridge, XMPP Server, and Database core components?

- A. Turn Server
- B. Load Balancer
- C. Web Bridge
- D. H.323 Gateway

Correct Answer: A

<https://www.cisco.com/c/dam/en/us/td/docs/conferencing/ciscoMeetingServer/Installation/Cisco-Meeting-Server-2000-Installation-Guide.pdf>

[100-890 VCE Dumps](#)

[100-890 Study Guide](#)

[100-890 Exam Questions](#)