

050-696^{Q&As}

Foundations of Novell Open Enterprise Server NetWare

Pass Novell 050-696 Exam with 100% Guarantee

Free Download Real Questions & Answers **PDF** and **VCE** file from:

<https://www.leads4pass.com/050-696.html>

100% Passing Guarantee
100% Money Back Assurance

Following Questions and Answers are all new published by Novell
Official Exam Center

-  **Instant Download** After Purchase
-  **100% Money Back** Guarantee
-  **365 Days** Free Update
-  **800,000+** Satisfied Customers



QUESTION 1

The LMorgan user object resides in the LG A. DA container in an eDirectory tree named .DA-TREE. . The MWaters and the MFinn users also reside in the LGA container. LMorgan is a member of the Sales.LGA. DA group object. The DA2 server also resides in the LGA. DA container. The LMorgan user is security equivalent to which objects in the tree? (Choose 2.)

- A. The Sales group.
- B. The MWaters user.
- C. The LGA container.
- D. The MFinn user.
- E. The DA2 server object.

Correct Answer: AC

QUESTION 2

Which firewall intercepts information running through a gateway and accepts only packets that are generated by a specific protocol such as FTP or SMTP?

- A. Caching Proxy
- B. Packet Filtering
- C. Application Proxy
- D. Circuit-Level Gateway
- E. Network Address Translation

Correct Answer: C

QUESTION 3

Which Open Source services are supported by OES NetWare? (Choose 2.)

- A. KDE
- B. MySQL
- C. named
- D. Emacs

E. Pure-FTP

F. Apache Web Server

Correct Answer: BF

QUESTION 4

Every directory and file in the OES NetWare server file system has a(n) _____ that specifies the eDirectory objects that are trustees of the file or directory and what rights they have to it.

Correct Answer: Control List

QUESTION 5

Click the Exhibit button to begin.



The user object DCoughanour is a member of the Techs group. This group has been assigned Read and File Scan file system rights to the KNOWLEDGE folder. EDIT is a subdirectory of KNOWLEDGE that contains support files that are waiting to be edited before being published. An IRF has been placed on this directory that blocks all rights except for the Supervisor and File Scan rights. User DCoughanour needs access to these files that will allow him to edit them. His object has an explicit rights assignment to EDIT for the Read, Write, Modify, and Access Control rights. What are DCoughanour's effective rights to the contents of the EDIT directory?

A. Supervisor

B. Read, File Scan

- C. Create, Erase
- D. Read, Modify, File Scan
- E. Read, Write, File Scan
- F. Read, Write, Modify, Access Control
- G. Read, Write, Modify, File Scan, Access Control
- H. Read, Write, Create, Erase, Modify, File Scan, Access Control
- I. This object has no rights to the EDIT directory.

Correct Answer: G

QUESTION 6

Which OES NetWare module increases performance for multiprocessor systems and provides support for some hardware configurations from specific vendors?

- A. LAN Module
- B. Host Adapter Module
- C. Custom Device Module
- D. HotPlug Support Module
- E. Platform Support Module

Correct Answer: E

QUESTION 7

A user has been transferred from the London office to the Sydney office. You need to relocate her user object from the LON.DA container to the SYD.DA container in your eDirectory tree. Click on the task in iManager that you would use to accomplish this.

Correct Answer: Move Object

QUESTION 8

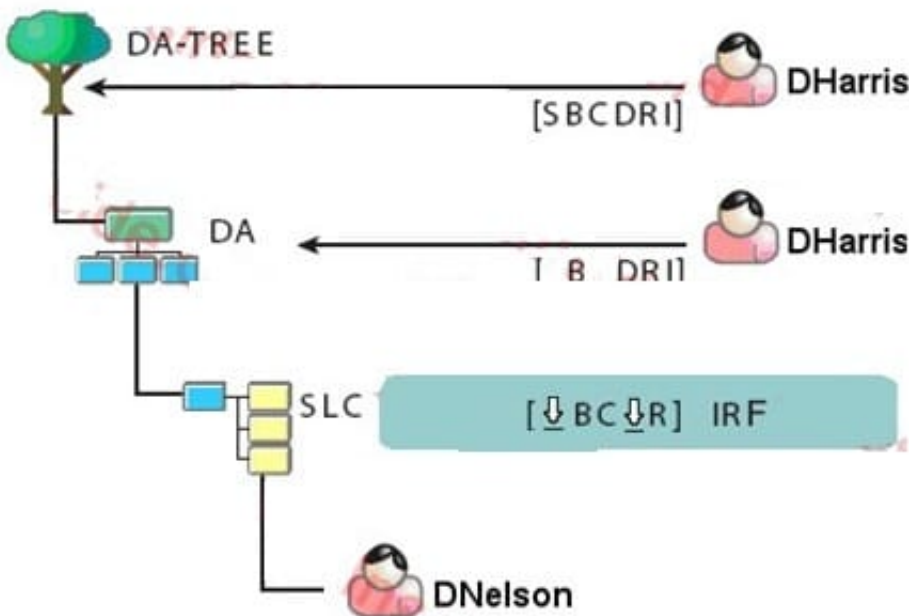
You are planning to deploy Novell Open Enterprise Server services on an existing NetWare 6.5 server. Which Support Pack must be installed on the server before you can do this?

- A. NetWare 6.5 Support Pack 1
- B. NetWare 6.5 Support Pack 1a
- C. NetWare 6.5 Support Pack 2
- D. NetWare 6.5 Support Pack 3

Correct Answer: D

QUESTION 9

Click the Exhibit button to begin.



Given the explicit rights assignments and the IRFs shown, what rights does the DHarris user object have to the DNelson user object?

- A. Browse
- B. Rename
- C. Supervisor
- D. Browse, Rename
- E. Browse, Create, Rename
- F. Browse, Create, Delete, Rename, Inheritable

G. Supervisor, Browse, Create, Delete, Rename, Inheritable

Correct Answer: D

QUESTION 10

Which utility can be used to create an Inherited Rights Filter (IRF) to block eDirectory rights from flowing down the tree? (Choose 2.)

- A. FLAG
- B. NDIR
- C. FILER
- D. iManager
- E. iMonitor
- F. ConsoleOne

Correct Answer: DF

QUESTION 11

Which is the proper order for completing tasks when configuring NSS storage on an OES NetWare server?

- A. Create storage pools first, then create disk partitions, and then create NSS volumes.
- B. Create disk partitions first, then create storage pools, and then create NSS volumes.
- C. Create NSS volumes first, then create storage pools, and then create disk partitions.
- D. Create disk partitions first, then create NSS volumes, and then create storage pools.
- E. Create storage pools first, then create NSS volumes, and then create disk partitions.
- F. Create NSS volumes first, then create disk partitions, and then create storage pools.

Correct Answer: B

QUESTION 12

When installing the Novell Client on a Windows workstation, which login authenticator should you select if the Client will be used to log into an OES NetWare server?

- A. NDS
- B. Bindery
- C. eDirectory
- D. Compatibility Mode

Correct Answer: A

QUESTION 13

During the installation of OES NetWare, the server files are installed on the _____ volume.

Correct Answer: SYS

QUESTION 14

By default, where does the STARTUP.NCF file reside?

- A. C:\
- B. C:\NWSERVER
- C. SYS:\SYSTEM
- D. SYS:\PUBLIC
- E. SYS:\STARTUP
- F. C:\NWSERVER\STARTUP

Correct Answer: B

QUESTION 15

During the installation of OES NetWare, the installation program automatically detects the .HAM drivers needed for your system. What type of hardware do .HAM drivers support?

- A. WAN communication devices.
- B. Peripheral devices, such as printers.
- C. Storage adapters, such as SCSI boards.

D. Communication devices, such as network boards.

E. Storage devices, such as CD-ROM or hard disk drives.

F. Special hardware configurations, such as a multiprocessor system.

Correct Answer: C

[050-696 Study Guide](#)

[050-696 Exam Questions](#)

[050-696 Braindumps](#)