

# OMG-OCUP-200<sup>Q&As</sup>

OMG-Certified UML Professional Intermediate Exam

**Pass OMG OMG-OCUP-200 Exam with 100%  
Guarantee**

Free Download Real Questions & Answers **PDF** and **VCE** file from:

<https://www.leads4pass.com/omg-ocup-200.html>

100% Passing Guarantee  
100% Money Back Assurance

Following Questions and Answers are all new published by OMG  
Official Exam Center

-  **Instant Download** After Purchase
-  **100% Money Back** Guarantee
-  **365 Days** Free Update
-  **800,000+** Satisfied Customers



**QUESTION 1**

How can the internals of a component be presented?

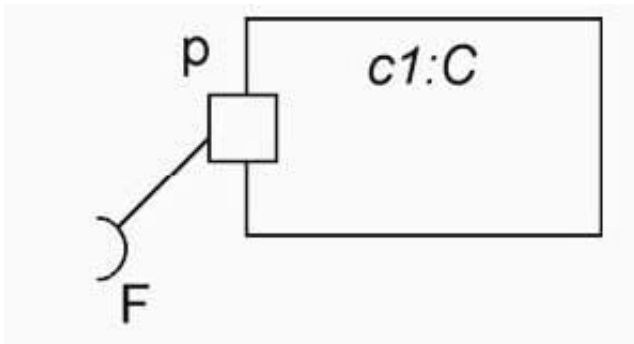
- A. using a complex component connector
- B. component provides port or a component requires port
- C. in a compartment of the component box or a component requires port
- D. in a compartment of the component box or via boxes nested within the component box

Correct Answer: D

---

**QUESTION 2**

What does the composite structure notation in the exhibit mean?



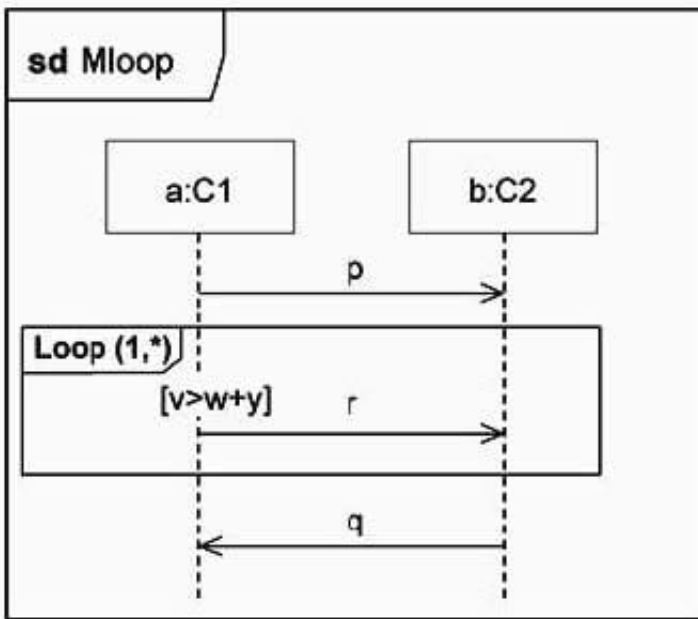
- A. Class C has internal structure.
- B. Object c1 is a kind of component.
- C. Port p is connected to an object called F
- D. Port p realizes the features defined by interface F
- E. Port p requires the features defined by interface F

Correct Answer: E

---

**QUESTION 3**

In the exhibit, what applies if the interaction constraint is false when the loop is entered?



- A. The specification is illegal.
- B. All valid traces will include message r.
- C. The loop body is not included in a valid trace.
- D. Valid traces include both the case where the loop iterates once, and when it iterates zero times.

Correct Answer: B

**QUESTION 4**

In a state machine, what is true for a "do" activity of a state?

- A. can only appear in a composite state
- B. is equivalent to an entry action of a state
- C. starts executing when the state is entered
- D. executes repeatedly as long as the state is active
- E. specifies a condition that must always be true when the state is active

Correct Answer: C

**QUESTION 5**

What does the final state of a composite state indicate?

- A. The state machine has terminated.
- B. The enclosing region is completed.

- C. A completion transition has occurred.
- D. The "do" activity of the state has completed.
- E. The context object of the state machine is terminated.

Correct Answer: B

[Latest OMG-OCUP-200 Dumps](#)

[OMG-OCUP-200 Exam Questions](#)

[OMG-OCUP-200 Braindumps](#)