

NSE7_OTS-6.4^{Q&As}

Fortinet NSE 7 - OT Security 6.4

Pass Fortinet NSE7_OTS-6.4 Exam with 100% Guarantee

Free Download Real Questions & Answers **PDF** and **VCE** file from:

https://www.leads4pass.com/nse7_ots-6-4.html

100% Passing Guarantee
100% Money Back Assurance

Following Questions and Answers are all new published by Fortinet Official Exam Center

- ⚙️ **Instant Download** After Purchase
- ⚙️ **100% Money Back** Guarantee
- ⚙️ **365 Days** Free Update
- ⚙️ **800,000+** Satisfied Customers



QUESTION 1

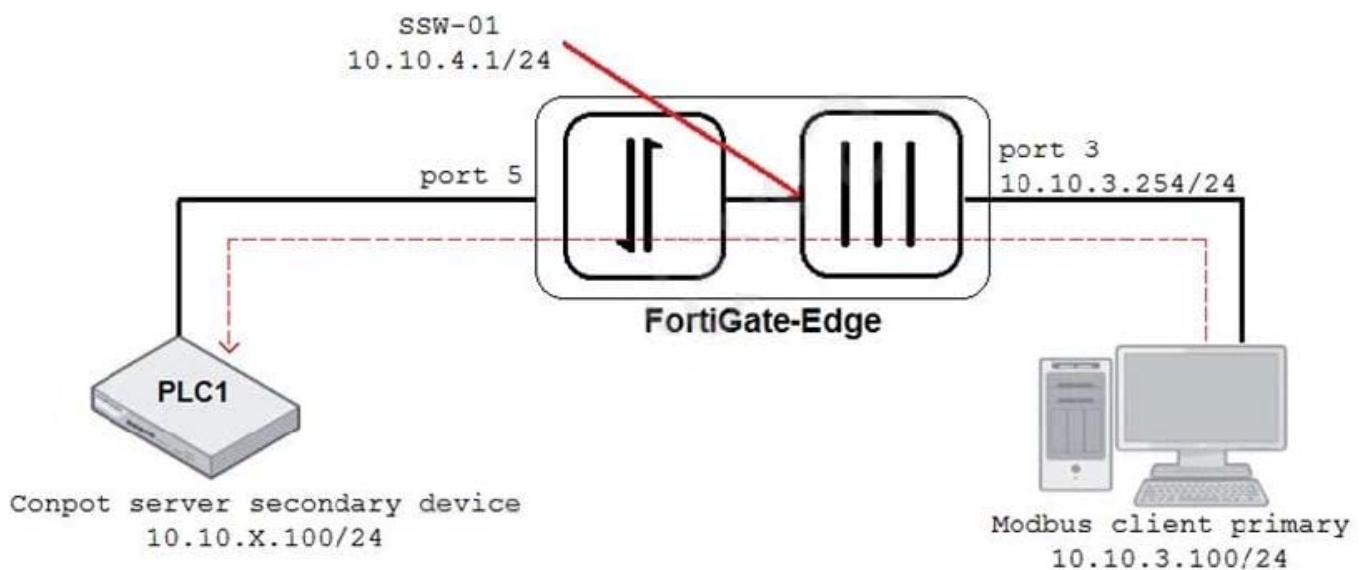
When you create a user or host profile, which three criteria can you use? (Choose three.)

- A. Host or user group memberships
- B. Administrative group membership
- C. An existing access control policy
- D. Location
- E. Host or user attributes

Correct Answer: ADE

QUESTION 2

Refer to the exhibit.



An OT architect has implemented a Modbus TCP with a simulation server Conpot to identify and control the Modbus traffic in the OT network. The FortiGate-Edge device is configured with a software switch interface ssw-01.

Based on the topology shown in the exhibit, which two statements about the successful simulation of traffic between client and server are true? (Choose two.)

- A. The FortiGate-Edge device must be in NAT mode.
- B. NAT is disabled in the FortiGate firewall policy from port3 to ssw-01.
- C. The FortiGate devices is in offline IDS mode.
- D. Port5 is not a member of the software switch.

Correct Answer: AC

QUESTION 3

An OT administrator configured and ran a default application risk and control report in FortiAnalyzer to learn more about the key application crossing the network. However, the report output is empty despite the fact that some related real-time and historical logs are visible in the FortiAnalyzer.

What are two possible reasons why the report output was empty? (Choose two.)

- A. The administrator selected the wrong logs to be indexed in FortiAnalyzer.
- B. The administrator selected the wrong time period for the report.
- C. The administrator selected the wrong devices in the Devices section.
- D. The administrator selected the wrong hcache table for the report.

Correct Answer: BD

QUESTION 4

An administrator wants to use FortiSoC and SOAR features on a FortiAnalyzer device to detect and block any unauthorized access to FortiGate devices in an OT network.

Which two statements about FortiSoC and SOAR features on FortiAnalyzer are true? (Choose two.)

- A. You must set correct operator in event handler to trigger an event.
- B. You can automate SOC tasks through playbooks.
- C. Each playbook can include multiple triggers.
- D. You cannot use Windows and Linux hosts security events with FortiSoC.

Correct Answer: BC

QUESTION 5

An OT administrator is defining an incident notification policy using FortiSIEM and would like to configure the system with a notification policy. If an incident occurs, the administrator would like to be able to intervene and block an IP address or disable a user in Active Directory from FortiSIEM.

Which step must the administrator take to achieve this task?

- A. Configure a fabric connector with a notification policy on FortiSIEM to connect with FortiGate.
- B. Create a notification policy and define a script/remediation on FortiSIEM.
- C. Define a script/remediation on FortiManager and enable a notification rule on FortiSIEM.

D. Deploy a mitigation script on Active Directory and create a notification policy on FortiSIEM.

Correct Answer: C

[Latest NSE7_OTS-6.4 Dumps](#)

[NSE7_OTS-6.4 Practice Test](#)

[NSE7_OTS-6.4 Study Guide](#)