

## NSE7\_OTS-6.4<sup>Q&As</sup>

Fortinet NSE 7 - OT Security 6.4

### Pass Fortinet NSE7\_OTS-6.4 Exam with 100% Guarantee

Free Download Real Questions & Answers **PDF** and **VCE** file from:

[https://www.leads4pass.com/nse7\\_ots-6-4.html](https://www.leads4pass.com/nse7_ots-6-4.html)

100% Passing Guarantee  
100% Money Back Assurance

Following Questions and Answers are all new published by Fortinet Official Exam Center

-  **Instant Download** After Purchase
-  **100% Money Back** Guarantee
-  **365 Days** Free Update
-  **800,000+** Satisfied Customers



**QUESTION 1**

When device profiling rules are enabled, which devices connected on the network are evaluated by the device profiling rules?

- A. Known trusted devices, each time they change location
- B. All connected devices, each time they connect
- C. Rogue devices, only when they connect for the first time
- D. Rogue devices, each time they connect

Correct Answer: C

---

**QUESTION 2**

An OT administrator deployed many devices to secure the OT network. However, the SOC team is reporting that there are too many alerts, and that many of the alerts are false positive. The OT administrator would like to find a solution that eliminates repetitive tasks, improves efficiency, saves time, and saves resources.

Which products should the administrator deploy to address these issues and automate most of the manual tasks done by the SOC team?

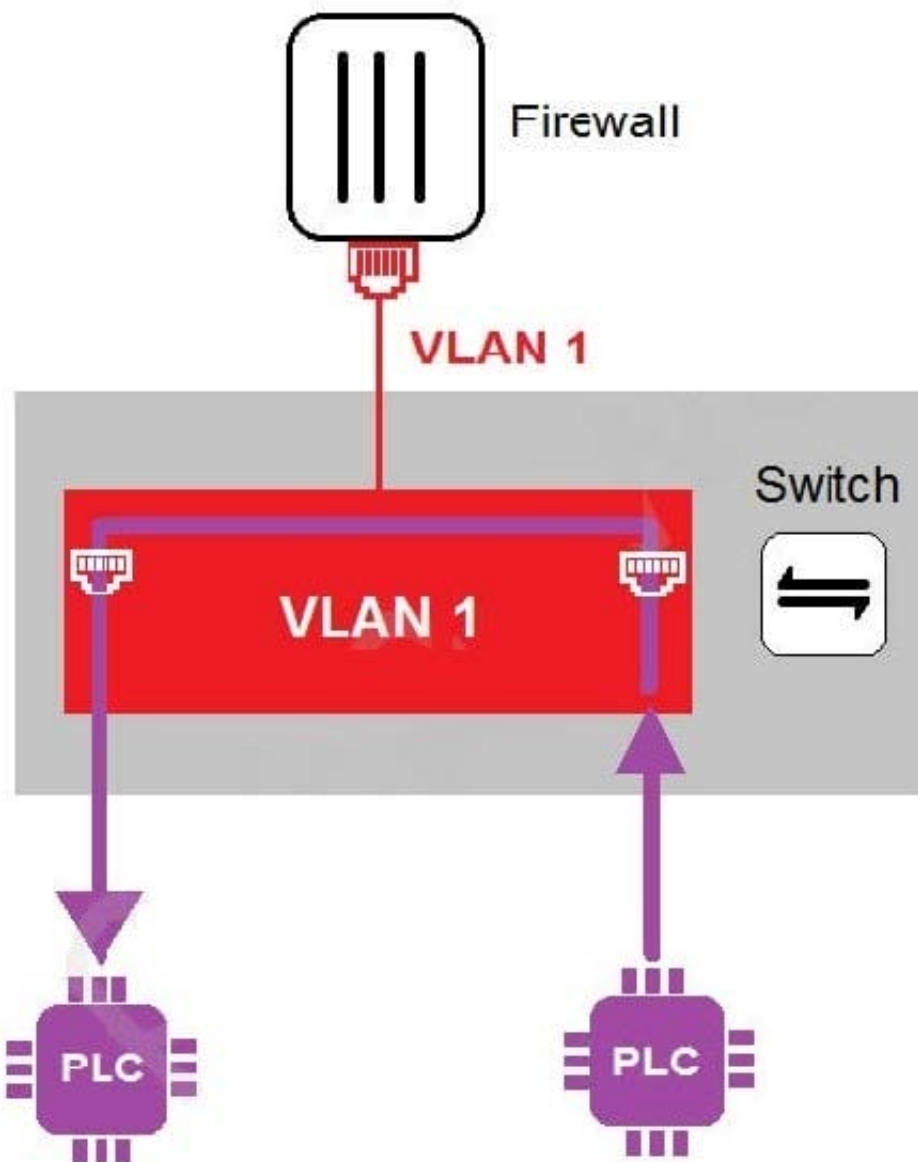
- A. FortiSIEM and FortiManager
- B. FortiSandbox and FortiSIEM
- C. FortiSOAR and FortiSIEM
- D. A syslog server and FortiSIEM

Correct Answer: C

---

**QUESTION 3**

Refer to the exhibit.



In the topology shown in the exhibit, both PLCs can communicate directly with each other, without going through the firewall.

Which statement about the topology is true?

- A. PLCs use IEEE802.1Q protocol to communicate each other.
- B. An administrator can create firewall policies in the switch to secure between PLCs.
- C. This integration solution expands VLAN capabilities from Layer 2 to Layer 3.
- D. There is no micro-segmentation in this topology.

Correct Answer: D

#### QUESTION 4

An OT administrator has configured FSSO and local firewall authentication. A user who is part of a user group is not prompted for credentials during authentication.

What is a possible reason?

- A. FortiGate determined the user by passive authentication
- B. The user was determined by Security Fabric
- C. Two-factor authentication is not configured with RADIUS authentication method
- D. FortiNAC determined the user by DHCP fingerprint method

Correct Answer: D

---

## QUESTION 5

Which three common breach points can be found in a typical OT environment? (Choose three.)

- A. Global hat
- B. Hard hat
- C. VLAN exploits
- D. Black hat
- E. RTU exploits

Correct Answer: CDE

[NSE7\\_OTS-6.4 PDF Dumps](#)

[NSE7\\_OTS-6.4 VCE  
Dumps](#)

[NSE7\\_OTS-6.4 Exam  
Questions](#)