

# NSE6\_FML-6.0<sup>Q&As</sup>

Fortinet NSE 6 - FortiMail 6.0

## Pass Fortinet NSE6\_FML-6.0 Exam with 100% Guarantee

Free Download Real Questions & Answers **PDF** and **VCE** file from:

[https://www.leads4pass.com/nse6\\_fml-6-0.html](https://www.leads4pass.com/nse6_fml-6-0.html)

100% Passing Guarantee  
100% Money Back Assurance

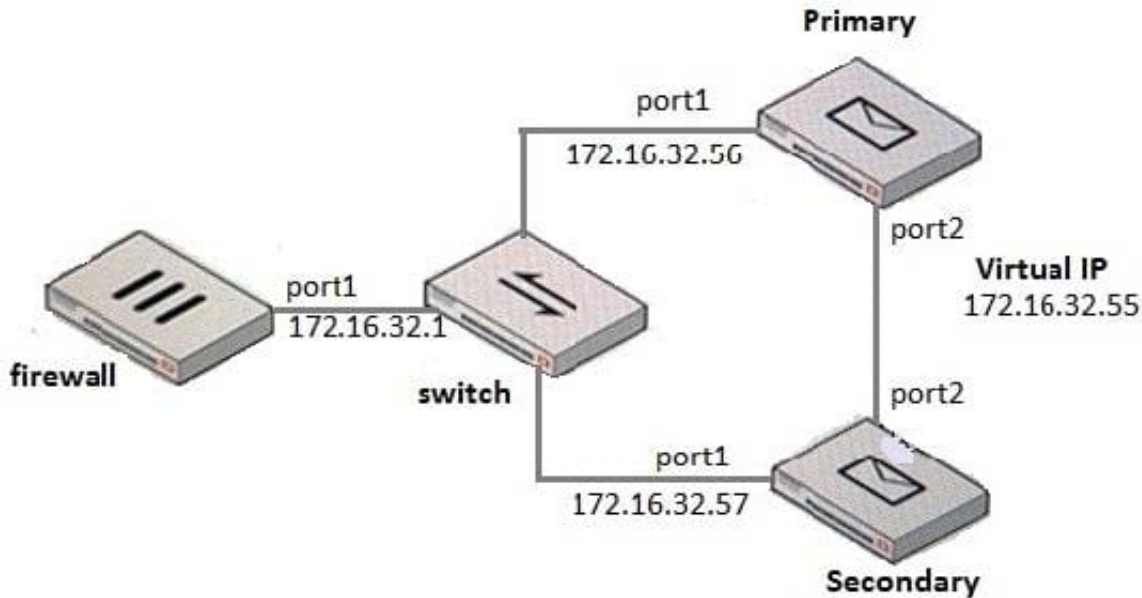
Following Questions and Answers are all new published by Fortinet Official Exam Center

- ⚙️ **Instant Download** After Purchase
- ⚙️ **100% Money Back** Guarantee
- ⚙️ **365 Days** Free Update
- ⚙️ **800,000+** Satisfied Customers



**QUESTION 1**

Examine the FortiMail active-passive cluster shown in the exhibit; then answer the question below.



**Primary HA Interface Configuration**

**HA Interface**

Port: **port1...**

Enable port monitor

Heartbeat status: **Disable**

Peer IP address: **0.0.0.0**

Peer IPv6 address: **::**

Virtual IP action: **Ignore**

Virtual IP address: **0.0.0.0** / **0**

Virtual IPv6 address: **::** / **0**

Which of the following parameters are recommended for the Primary FortiMail's HA interface configuration? (Choose three.)

- A. Enable port monitor: disable

- B. Peer IP address: 172.16.32.57
- C. Heartbeat status: Primary
- D. Virtual IP address: 172.16.32.55/24
- E. Virtual IP action: Use

Correct Answer: CDE

## QUESTION 2

Examine the FortMail mail server settings shown in the exhibit; then answer the question below.

Mail Server Settings		Relay Host List	Disclaimer	Disclaimer Exclusion List
<span>▲</span> <b>Local Host</b>		<b>Local Host Setting</b>		
Host name:	<input type="text" value="mx"/>			
Local domain name:	<input type="text" value="example.com"/>			
SMTP server port number:	<input type="text" value="25"/>			
SMTP over SSL/TLS	<input checked="" type="checkbox"/>			
SMTPS server port number:	<input type="text" value="465"/>			
SMTP MSA service	<input checked="" type="checkbox"/>			
SMTP MSA port number:	<input type="text" value="587"/>			
POP3 server port number:	<input type="text" value="110"/>			
Default domain for authentication:	<input type="text" value="--None--"/>			
Webmail access	<input checked="" type="checkbox"/> Redirect HTTP to HTTPS			

Which of the following statements are true? (Choose two.)

- A. mx.example.com will enforce SMTPS on all outbound sessions
- B. mx.example.com will display STARTTLS as one of the supported commands in SMTP sessions
- C. mx.example.com will accept SMTPS connections
- D. mx.example.com will drop any inbound plaintext SMTP connection

Correct Answer: AC

**QUESTION 3**

A FortiMail administrator is investigating a sudden increase in DSNs being delivered to the protected domain for undeliverable email messages. After searching the logs, the administrator identifies that the DSNs were not generated as a result of any outbound email sent from the protected domain. Which FortiMail antispam technique can the administrator use to prevent this scenario? (Choose one.)

- A. Bounce address tag validation
- B. Spam outbreak protection
- C. Spoofed header detection
- D. FortiGuard IP Reputation

Correct Answer: B

---

**QUESTION 4**

Examine the FortiMail user webmail interface shown in the exhibit; then answer the question below.



Which one of the following statements is true regarding this server mode FortiMail's configuration?

- A. The protected domain-level service settings have been modified to allow access to the domain address book
- B. This user's account has a customized access profile applied that allows access to the personal address book
- C. The administrator has not made any changes to the default address book access privileges
- D. The administrator has configured an inbound recipient policy with a customized resource profile

Correct Answer: A

---

**QUESTION 5**

Which firmware upgrade method for an active-passive HA cluster ensures service outage is minimal and there are no unnecessary failovers?

- A. Upgrade the active unit, which will upgrade the standby unit automatically
- B. Upgrade both units at the same time

C. Upgrade the standby unit, and then upgrade the active unit

D. Break the cluster, upgrade the units independently, and then form the cluster again as quickly as possible

Correct Answer: D

[Latest NSE6\\_FML-6.0 Dumps](#)

[NSE6\\_FML-6.0 Study Guide](#) [NSE6\\_FML-6.0 Braindumps](#)