

NS0-520^{Q&As}

NetApp Certified Implementation Engineer - SAN ONTAP

Pass NetApp NS0-520 Exam with 100% Guarantee

Free Download Real Questions & Answers **PDF** and **VCE** file from:

<https://www.leads4pass.com/ns0-520.html>

100% Passing Guarantee
100% Money Back Assurance

Following Questions and Answers are all new published by NetApp
Official Exam Center

-  **Instant Download** After Purchase
-  **100% Money Back** Guarantee
-  **365 Days** Free Update
-  **800,000+** Satisfied Customers



QUESTION 1

During maintenance of an AFF A250 node, you want to move the SAN LIFs that are members of a port set. In this scenario, which two statements are true? (choose two)

- A. You must disable SLM for the node that hosts the LIF
- B. You need to disable the zoning of the LIF WWPN
- C. The LIF must be removed from the port set
- D. You must take the SAN LIF offline

Correct Answer: CD

If the LIF is a member of a port set, the LIF must have been removed from the port set before the LIF can be moved to a different node.

Change the status of the LIF to down (offline)

You can find more information on this link:

<https://docs.netapp.com/ontap-9/index.jsp?topic=%2Fcom.netapp.doc.dot-cm-sanag%2FGUID-09F5C2A3-FA66-4252-BEEF-D556A143CD30.html>

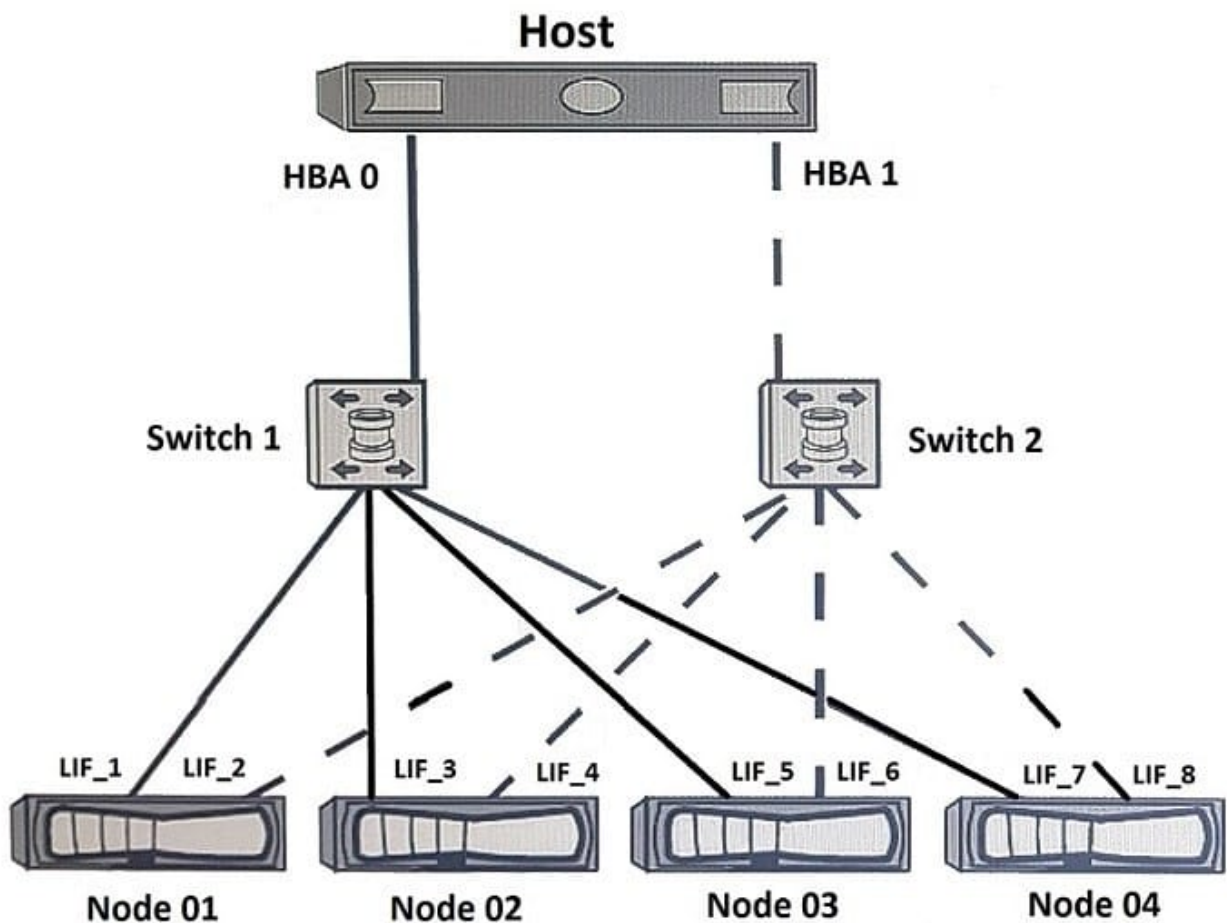
QUESTION 2

An administrator has expanded a 2-node ONTAP cluster to a 4-node ONTAP cluster. The cluster is using FC LUNs with all of the default settings. You must rebalance the LUNs to the new nodes. Which configuration must be made to achieve this requirement?

- A. The new nodes must be added to the reporting nodes list.
- B. All nodes must be removed from the reporting nodes list.
- C. The original nodes must be added to the reporting nodes list.
- D. The original nodes must be removed from the reporting nodes list.

Correct Answer: A

QUESTION 3



You have a LUN owned by Node 01 and mapped using the default Selective LUN Map (SLM) configuration. You want to enable your host to access this LUN and facilitate future maintenance. Which best-practice zone configuration accomplishes this task?

- A. Zone 1: HBA 0, LIF_1, LIF_3, LIF_5 and LIF_7 Zone 2: HBA 1, LIF_2, LIF_4, LIF_6 and LIF_8
- B. Zone 1: HBA 0, HBA 1, LIF_1, LIF_2, LIF_3, LIF_4, LIF_5, LIF_6, LIF_7, LIF_8
- C. Zone 1: HBA 0, LIF_1, LIF_3 Zone 2: HBA 1, LIF_2, LIF_4
- D. Zone 1: HBA 0, HBA 1, LIF_1, LIF_2, LIF_3, LIF_4

Correct Answer: D

QUESTION 4

An administrator has a new AFF A220 system with two DS224C disk shelves and wants to validate if the shelf cabling is correct. Which resource would be used to accomplish this task?

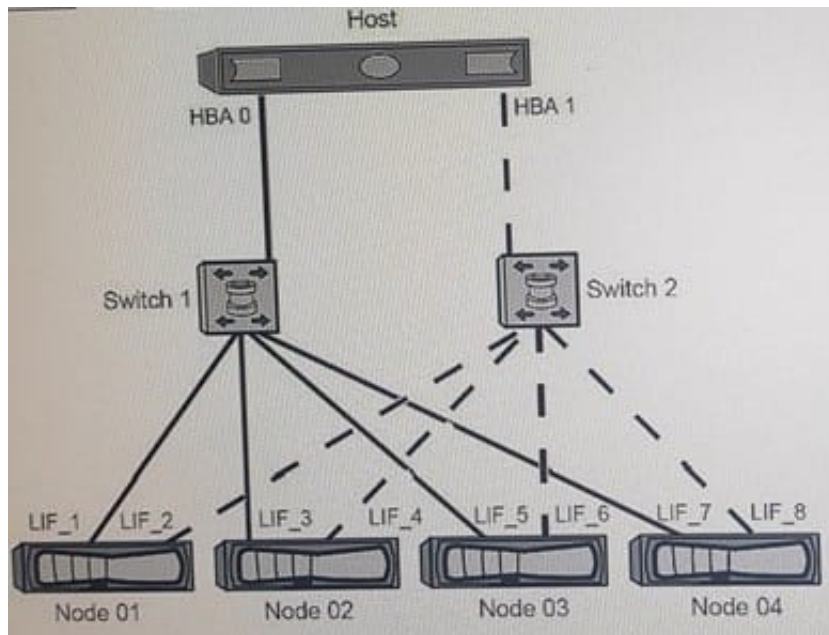
- A. Config Advisor

- B. OnCommand Unified Manager (OCUM)
- C. OneCollect
- D. Interoperability Matrix Tool (IMT)

Correct Answer: A

QUESTION 5

Exhibit.



A customer is testing a dual-fabric FC SAN configuration as shown in the exhibit. The zones are implemented on the switches shown below.

Switch 1 / Zone 1: HBA 0, LIF_1, LIF_3, LIF_5, and LIF_7
 Switch 2 / Zone 2: HBA 1, LIF_2, LIF_4, LIF_6, and LIF_8

IF all the nodes are in the SLM reporting nodes list, how many paths per LUN should the customer expect when simulating a node failure by powering off Node 04?

- A. 4 paths
- B. 6 paths
- C. 8 paths
- D. 2 paths

Correct Answer: B