

NS0-192^{Q&As}

NetApp Certified Support Engineer

Pass NetApp NS0-192 Exam with 100% Guarantee

Free Download Real Questions & Answers **PDF** and **VCE** file from:

<https://www.leads4pass.com/ns0-192.html>

100% Passing Guarantee
100% Money Back Assurance

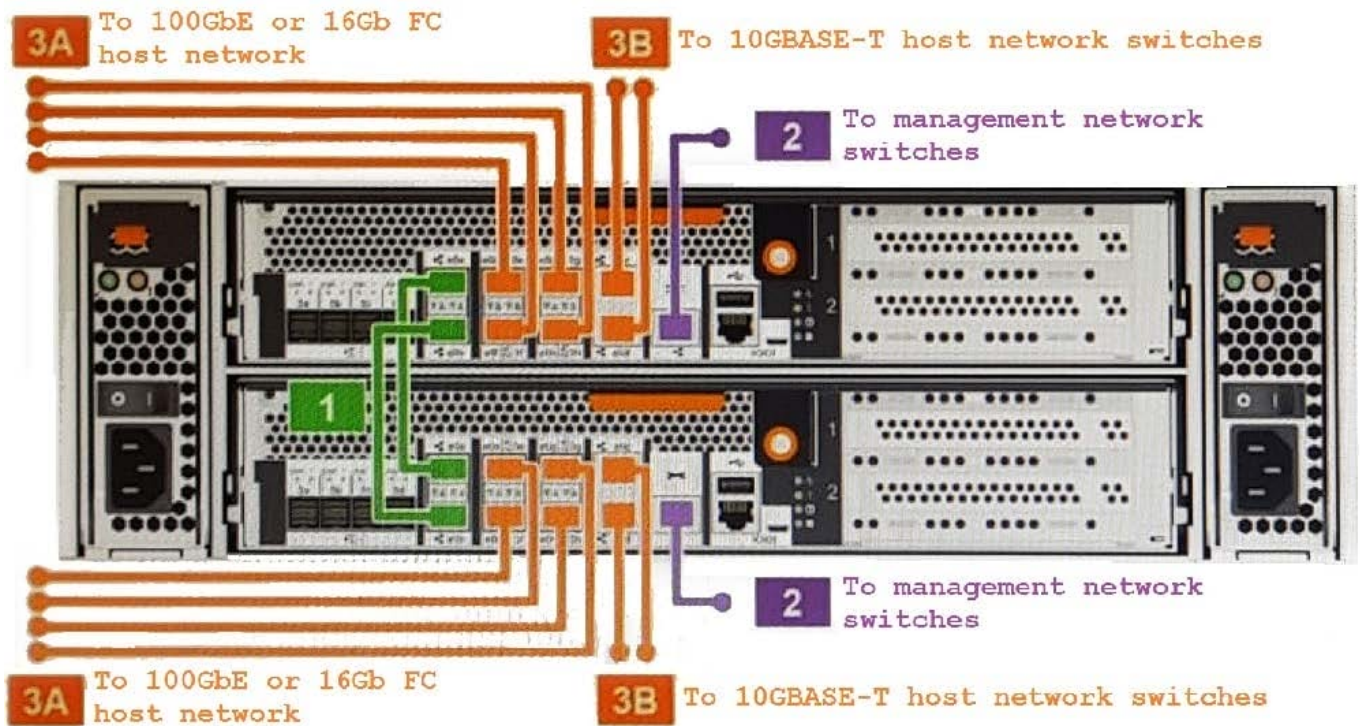
Following Questions and Answers are all new published by NetApp
Official Exam Center

-  **Instant Download** After Purchase
-  **100% Money Back** Guarantee
-  **365 Days** Free Update
-  **800,000+** Satisfied Customers



QUESTION 1

Click the Exhibit button.



You are troubleshooting HA interconnect link connection errors.

Referring to the exhibit, which physical connections should you examine?

- A. 1
- B. 3B
- C. 3A
- D. 2

Correct Answer: C

QUESTION 2

In an ONTAP write process, which two statements are true about memory and NVRAM of a node? (Choose two.)

- A. The writes from the local NVRAM are written to disks at periodic intervals or when NVRAM is full.
- B. The writes are only written to NVRAM of local and partner nodes.
- C. The writes from the local memory are written to disk at periodic intervals or as needed.
- D. The initial writes are written to local memory followed by local and partner NVRAMs.

Correct Answer: AB

QUESTION 3

A customer performed maintenance last weekend and power cycled both FAS8060 nodes of a 2-node ONTAP 9.2 cluster. The customer is concerned about port errors seen from the system ha interconnect port show command output.

Which two steps would you perform in troubleshooting this condition? (Choose two.)

- A. Use the system ha interconnect link off/on command to manually reset the HA interconnect Link 0 and Link 1 on both nodes.
- B. Perform a takeover/giveback of both nodes.
- C. reset the counters using the system ha interconnect statistics clear-port command.
- D. Use the system ha interconnect flush command to manually reset the HA interconnect Link 0 and Link 1 on both nodes.

Correct Answer: AB

QUESTION 4

You need to establish a volume SnapMirror relationship between two different clusters on your network. Which three elements are necessary for SnapMirror to work? (Choose three.)

- A. volume peering
- B. intercluster LIFs
- C. cluster peering
- D. SVM peering
- E. cluster LIF

Correct Answer: CBD

QUESTION 5

A FAS8200 system fails to boot because of a corrupted image on the boot media. Which action would be performed to solve this problem?

- A. Copy the boot image from the root volume of the node.
- B. Download a network image using the netboot procedure.
- C. Use the boot_recovery command from the LOADER prompt.
- D. Execute the boot_primary command at the loader.

Correct Answer: D

Reference: <https://library.netapp.com/ecmdocs/ECMM1278407/html/sysadmin/GUID-7B9B378A-00014430-A82D-1382E9A570C5.html>

[NS0-192 VCE Dumps](#)

[NS0-192 Study Guide](#)

[NS0-192 Braindumps](#)