

NS0-183^{Q&As}

NetApp Certified Storage Installation Engineer, ONTAP

Pass NetApp NS0-183 Exam with 100% Guarantee

Free Download Real Questions & Answers **PDF** and **VCE** file from:

<https://www.leads4pass.com/ns0-183.html>

100% Passing Guarantee
100% Money Back Assurance

Following Questions and Answers are all new published by NetApp
Official Exam Center

-  **Instant Download** After Purchase
-  **100% Money Back** Guarantee
-  **365 Days** Free Update
-  **800,000+** Satisfied Customers



QUESTION 1

In an ONTAP switched cluster, which three types of traffic travels over the cluster network? (Choose three.)

- A. intercluster SnapMirror
- B. intracluster SnapMirror
- C. Epsilon voting
- D. cluster database replication
- E. remote cluster peering

Correct Answer: ADE

QUESTION 2

You are a NetApp Professional Services engineer, employed by NetApp. You have just completed an ONTAP cluster installation. You need to collect the relevant configuration information to enable the Service Event Report (SER) to be created.

Which tool would you use to accomplish this task?

- A. Active IQ scheduled reports
- B. NetAppDocs output report
- C. ONTAP System Manager
- D. Active IQ Config Advisor worksheet

Correct Answer: A

QUESTION 3

You install a 4-node cluster with an AFF A400 HA pair and a FAS8300 HA pair. After setup, you are asked to review the audit logs on each controller from a Web browser.

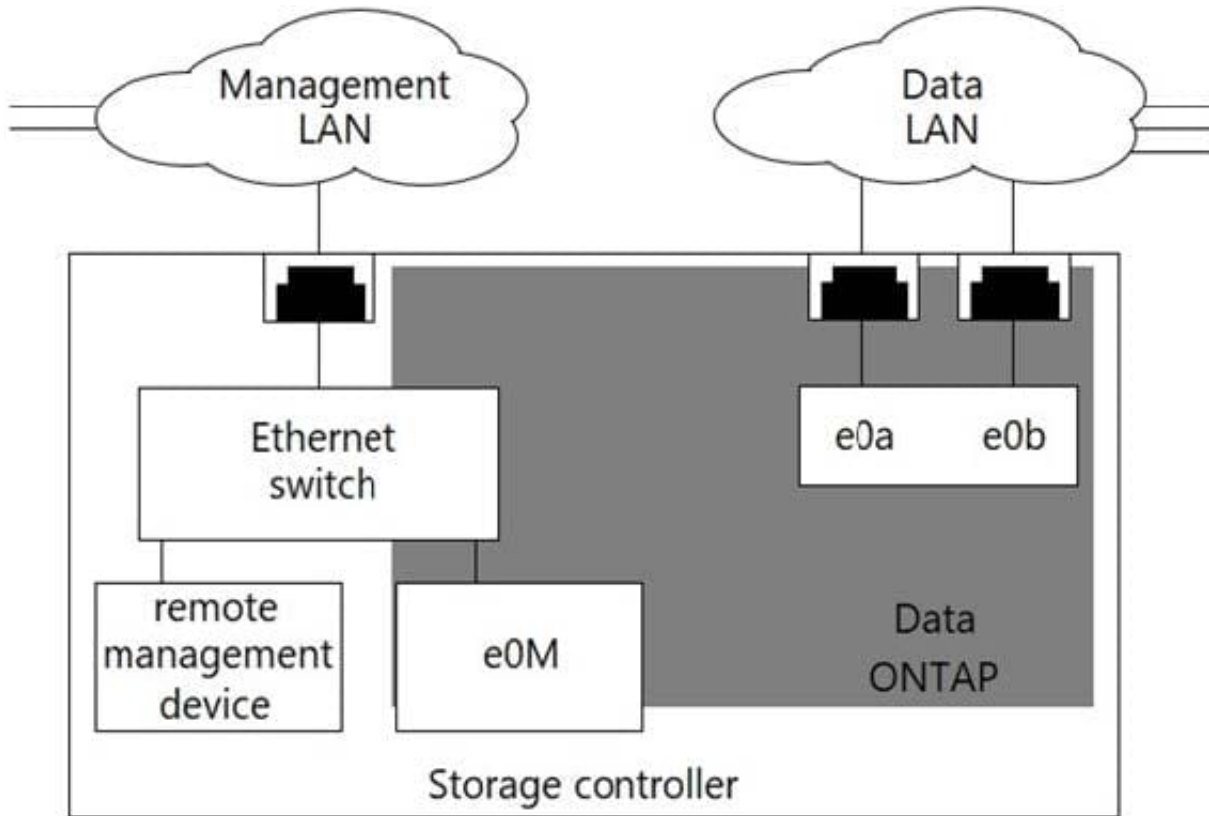
In this scenario, which method provides access to the logs from a Web browser?

- A. ACP
- B. ADP
- C. DNS
- D. SPI

Correct Answer: D

QUESTION 4

Click the Exhibit button.



You are installing a new FAS cluster. The management network must be on tagged VLAN 11 for remote administration by a service provider.

Referring to the exhibit, which two ports will allow service provider access to both cluster and node management LIFs? (Choose two.)

- A. e0M
- B. e0b-11
- C. e0a-11
- D. e0M-11

Correct Answer: AD

QUESTION 5

Click the Exhibit button.

```
::> event notification destination create -name syslog -syslog 10.10.100.40  
::> event notification create -filter-name important-events -destinations syslog  
::> cluster log-forwarding create -destination 10.10.100.40 -port 514 -facility user
```

Referring to the exhibit, what information is forwarded to syslog after you enter the scripted install commands? (Choose two.)

- A. command history
- B. EMS messages
- C. AutoSupport messages
- D. SNMP traps

Correct Answer: AC

Reference: <https://www.netapp.com/media/10674-tr4569.pdf>

[NS0-183 PDF Dumps](#)

[NS0-183 Exam Questions](#)

[NS0-183 Braindumps](#)