

JN0-692^{Q&As}

Service Provider Routing and Switching Support, Professional

Pass Juniper JN0-692 Exam with 100% Guarantee

Free Download Real Questions & Answers **PDF** and **VCE** file from:

<https://www.lead4pass.com/jn0-692.html>

100% Passing Guarantee
100% Money Back Assurance

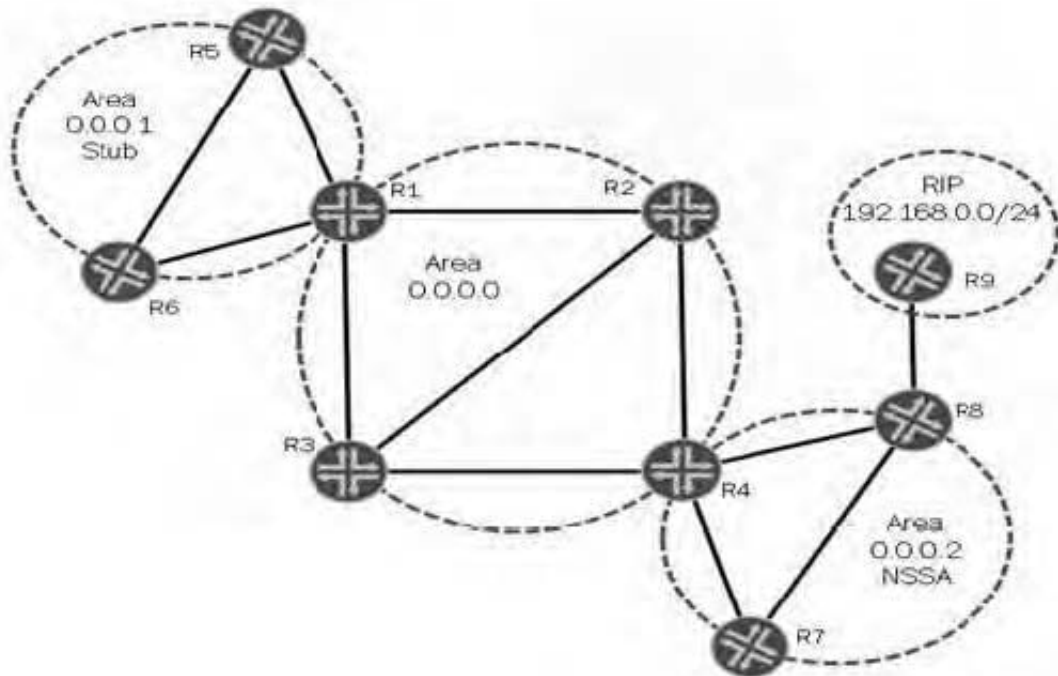
Following Questions and Answers are all new published by Juniper
Official Exam Center

-  **Instant Download** After Purchase
-  **100% Money Back** Guarantee
-  **365 Days** Free Update
-  **800,000+** Satisfied Customers



QUESTION 1

Click the Exhibit button.



In the exhibit, the RIP network 192.168.0.0/24 is redistributed into OSPF on R8. Which two statements are true? (Choose two.)

- A. R4 receives the RIP network in a Type 7 LSA from R8.
- B. R7 receives the RIP network in a Type 5 LSA from R4.
- C. R2 receives the RIP network in a Type 7 LSA from R4.
- D. R3 receives the RIP network in a Type 5 LSA from R4.

Correct Answer: AD

QUESTION 2

You are asked to retain several routes from an external BGP neighbor in the routing table on your local router, but you are not allowed to forward traffic to these destinations. You have configured a forwarding table firewall filter to block these routes, and applied it under the (edit forwarding-options) hierarchy, but the routes are still showing up in the forwarding table. What is required to achieve this task?

- A. Configure an EBGP import policy on your local router to block the routes.
- B. Have the EBGP neighbor configure an export policy to block the routes.
- C. Configure an export policy for the forwarding table to block the routes.

D. Use the no-install configuration statement within the EBGP neighbor group on your local router.

Correct Answer: C

QUESTION 3

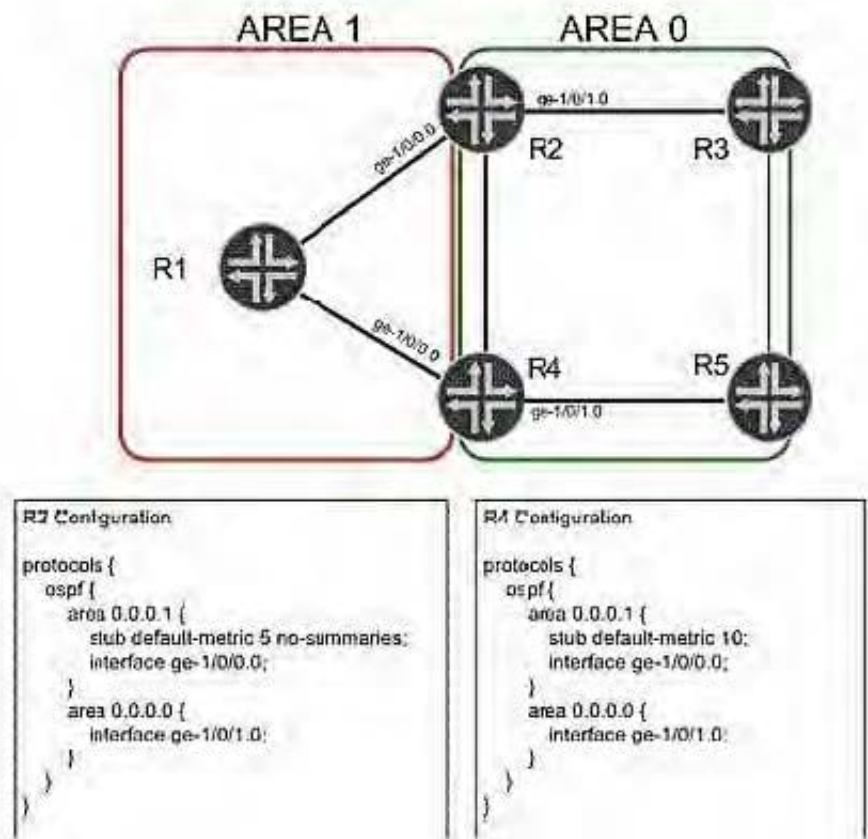
An OSPF database contains two router LSAs with identical link information indicating that one LSA is not valid. Which action will immediately clear the invalid LSA from the network without waiting for the LSA to time out or resetting the OSPF sessions on the router?

- A. user@router# deactivate protocols ospf user@router# commit user@router# activate protocols ospf user@router# commit
- B. user@router> clear ospf database purge
- C. user@router> clear ospf database
- D. user@router> restart routing

Correct Answer: B

QUESTION 4

Click the Exhibit button.



R2 and R3 advertise a default route into Area 1. Based on the configurations in the exhibit, which statement is true? (Choose two.)

- A. Traffic from R1 to internal OSPF destinations in Area 0 will always transit R4.
- B. Traffic from R1 to internal OSPF destinations in Area 0 will always transit R2.
- C. Traffic from R1 to external OSPF destinations in Area 0 will always transit R2.
- D. Traffic from R1 to external OSPF destinations in Area 0 will always transit R4.

Correct Answer: AC

QUESTION 5

You are asked to design a Layer 2 VPN service for a service provider network that supports Ethernet and ATM transport. Which two Layer 2 VPN technologies will meet this requirement? (Choose two.)

- A. LDP-signaled VPLS, using draft martini encapsulation
- B. BGP-signaled VPLS, using the RFC 4448 Layer 2 frame format
- C. LDP Layer 2 circuit, using the RFC 4448 Layer 2 frame format
- D. BGP Layer 2 VPN, using draft-Martini encapsulation

Correct Answer: CD

[Latest JN0-692 Dumps](#)

[JN0-692 PDF Dumps](#)

[JN0-692 Braindumps](#)