

JN0-681^{Q&As}

New Data Center, Professional

Pass Juniper JN0-681 Exam with 100% Guarantee

Free Download Real Questions & Answers **PDF** and **VCE** file from:

<https://www.leads4pass.com/jn0-681.html>

100% Passing Guarantee
100% Money Back Assurance

Following Questions and Answers are all new published by Juniper
Official Exam Center

- ⚙️ **Instant Download** After Purchase
- ⚙️ **100% Money Back** Guarantee
- ⚙️ **365 Days** Free Update
- ⚙️ **800,000+** Satisfied Customers



QUESTION 1

You are configuring VXLAN, and you must ensure that all switches for the multicast groups advertise their existence and learn about other VTEPs.

In this scenario, which protocol will accomplish this task?

- A. OSPF
- B. BGP
- C. EVPN
- D. PIM

Correct Answer: C

QUESTION 2

Referring to the VTEP output shown in the exhibit, which two statements are true? (Choose two.)

```
user@leaf1> show ethernet-switching table
```

```
MAC flags (S - static MAC, D - dynamic MAC, L - locally learned, P - Persistent static
           SE - statistics enabled, NM - non configured MAC, R - remote PE MAC, O - ovsdb
           MAC)
```

```
Ethernet switching table : 2 entries, 2 learned
Routing instance : default-switch
```

Vlan	MAC	MAC
Logical	Active	
name	address	flags
interface	source	
v15	52:54:00:2c:4b:a2	D
vtep.32771	192.168.100.13	
v15	52:54:00:5e:88:6a	D
xe-0/0/0.0		

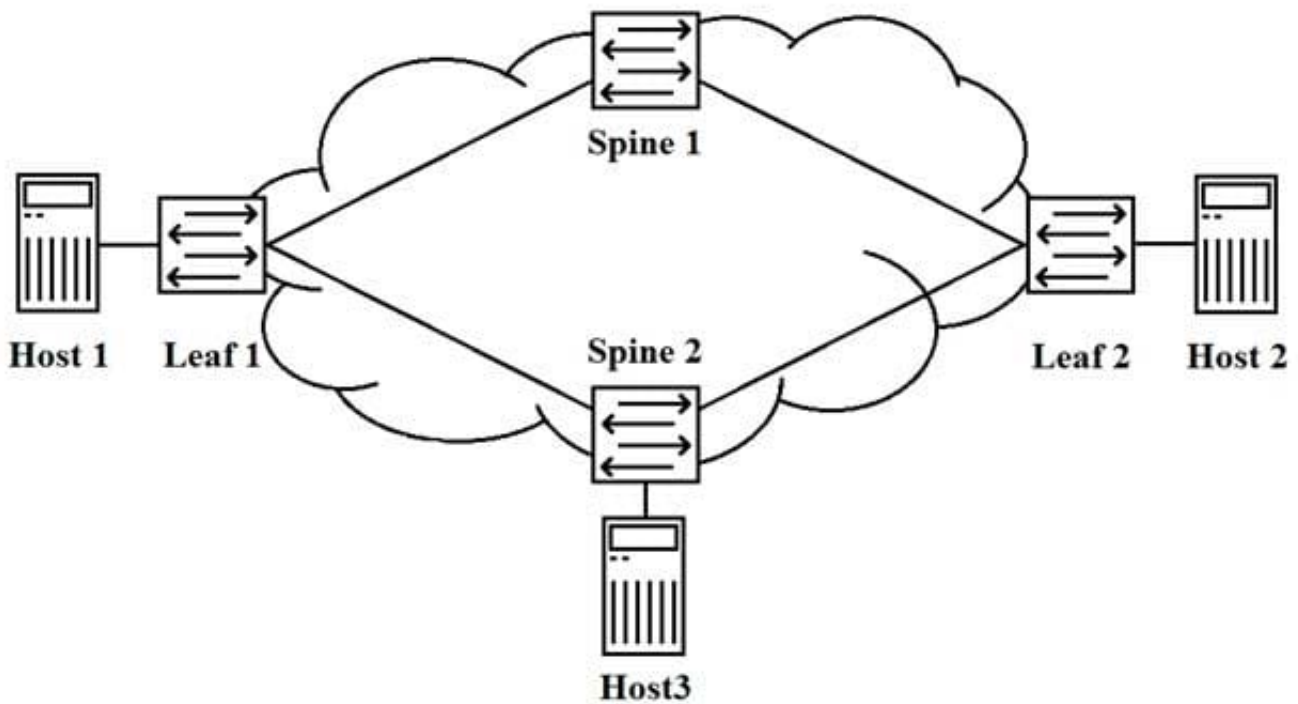
- A. The MAC address 52:54:00:2c:4b:a2 belongs to a local host.
- B. The MAC address 52:54:00:5e:88:6a belongs to a remote host.
- C. The MAC address 52:54:00:2c:4b:a2 belongs to a remote host.
- D. The MAC address.52:54:00:5e:88:6a belongs to a local host.

Correct Answer: BC

QUESTION 3

Referring to the exhibit, Host 1 and Host 3 have exchanged traffic.

**IP Fabric
 EVPN-VXLAN Overlay**



In this scenario, which statement is true?

- A. Leaf 2 does not learn Host 1's MAC address until Host 1 and Host 2 send traffic to each other.
- B. Leaf 2 learns Host 1's MAC address through periodic updates from Spine 2.
- C. Leaf 2 learns Host 1's MAC address when Host 3 learns Host 1's MAC address.
- D. Leaf 2 learns Host 1's MAC address when Leaf 1 queries Host 1.

Correct Answer: D

QUESTION 4

You are asked to deploy 20 QFX Series devices using ZTP. Each QFX5100 requires a specific FTP server.

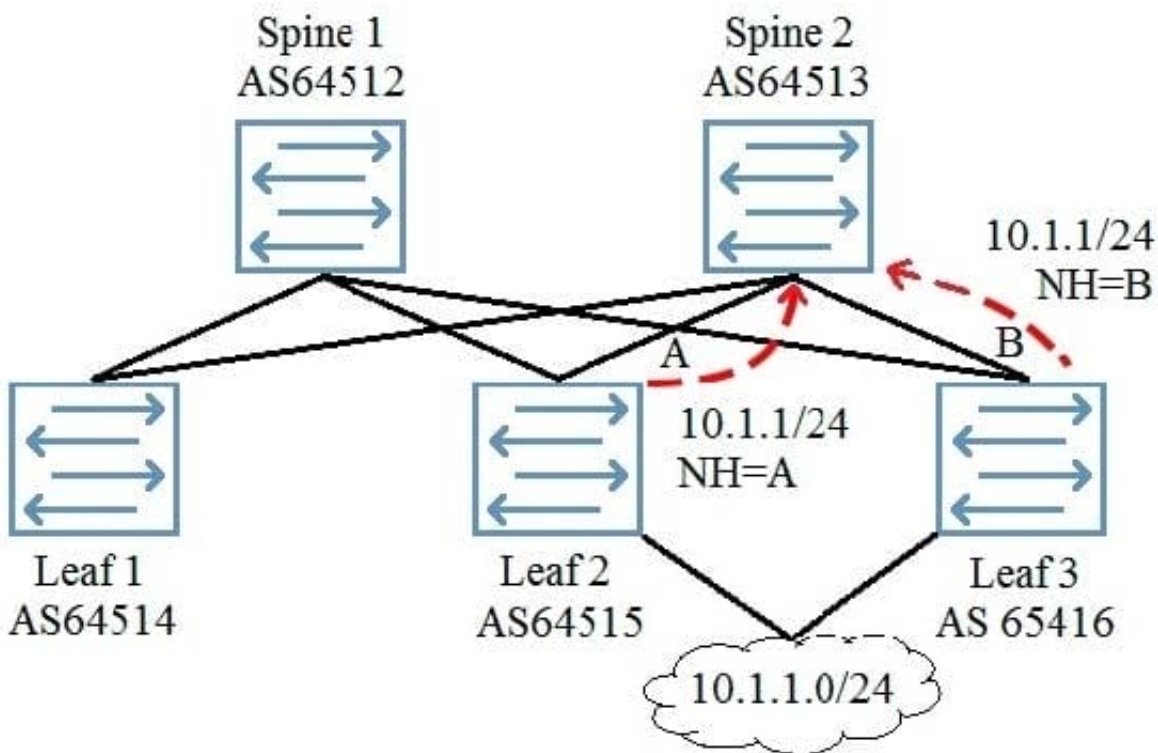
In this scenario, which two components must you configure on the DHCP server? (Choose two.)

- A. the IP address of the FTP server
- B. the MAC address of the FTP server
- C. the IP address of each QFX5100
- D. the MAC address of each QFX5100

Correct Answer: AD

QUESTION 5

Referring to the exhibit, each node in the IP fabric is peering to its directly attached neighbor using EBGP. Each node is peering using physical interface IP addresses. Leaf 2 and Leaf 3 are advertising the 10.1.1/24 network into EBGP. Spine 2 must be configured so that it can load-share traffic destined to the 10.1.1/24 network over both next-hop A and next-hop B.



Which two actions must be performed to accomplish this task? (Choose two.)

- A. Use a load-balancing policy applied to the forwarding table.

B. Use multipath multiple-AS.

C. Use advertise-inactive.

D. Use multihop.

Correct Answer: AB

[Latest JN0-681 Dumps](#)

[JN0-681 Practice Test](#)

[JN0-681 Study Guide](#)