

JN0-663^{Q&As}

Service Provider Routing and Switching, Professional (JNCIP-SP)

Pass Juniper JN0-663 Exam with 100% Guarantee

Free Download Real Questions & Answers **PDF** and **VCE** file from:

<https://www.lead4pass.com/jn0-663.html>

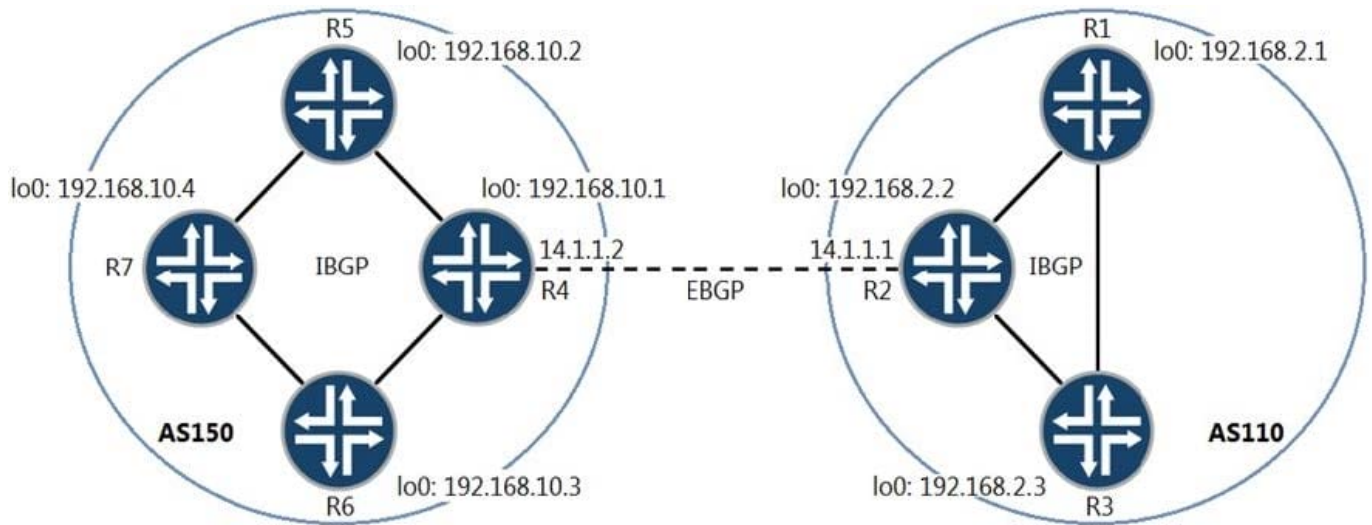
100% Passing Guarantee
100% Money Back Assurance

Following Questions and Answers are all new published by Juniper
Official Exam Center

- ⚙️ **Instant Download** After Purchase
- ⚙️ **100% Money Back** Guarantee
- ⚙️ **365 Days** Free Update
- ⚙️ **800,000+** Satisfied Customers



QUESTION 1

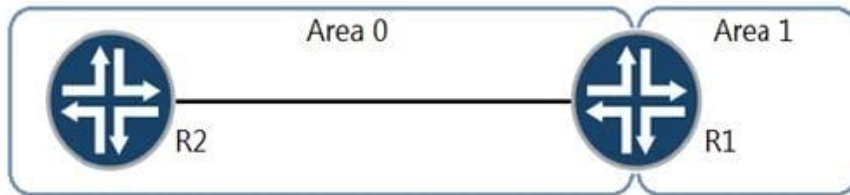


Referring to the exhibit, which two statements are correct for a route advertised by R1 towards R4? (Choose two.)

- A. The BGP next hop is set to 14.1.1.1 by R2.
- B. The AS path is set to 150 by R2.
- C. The BGP next hop is set to 192.168.2.2 by R2.
- D. The AS path is set to null by R2.

Correct Answer: AD

QUESTION 2



```
users@R1> show ospf3 database inter-area-prefix detail
```

```

  OSPF3 database, Area 0.0.0.0
  Type      ID          Adv Rtr      Seq          Age    Cksum    Len
  InterArPfx 0.0.0.11     172.16.1.1  0x80000001   4     0xaa9a   36
    Prefix 2001:db9:ffff:ff00::/64
    Prefix-options 0x0, Metric 0
  InterArPfx 0.0.0.12     172.16.1.1  0x80000001   4     0x8c6e   44
    Prefix 2001:db9:ffff:ff00::1/128
    Prefix-options 0x0, Metric 0
  InterArPfx 0.0.0.13     172.16.1.1  0x80000001   4     0xa899   36
    Prefix 2001:db9:ffff:ff01::/64
    Prefix-options 0x0, Metric 0
  InterArPfx 0.0.0.14     172.16.1.1  0x80000001   4     0x8a6d   44
    Prefix 2001:db9:ffff:ff01::1/128
    Prefix-options 0x0, Metric 0
  InterArPfx 0.0.0.15     172.16.1.1  0x80000001   4     0xa698   36
    Prefix 2001:db9:ffff:ff02::/64
    Prefix-options 0x0, Metric 0
  InterArPfx 0.0.0.16     172.16.1.1  0x80000001   4     0x886c   44
    Prefix 2001:db9:ffff:ff02::1/128
    Prefix-options 0x0, Metric 0
  InterArPfx 0.0.0.17     172.16.1.1  0x80000001   4     0xa497   36
    Prefix 2001:db9:ffff:ff03::/64
    Prefix-options 0x0, Metric 0
  InterArPfx 0.0.0.18     172.16.1.1  0x80000001   4     0x866b   44
    Prefix 2001:db9:ffff:ff03::1/128
    Prefix-options 0x0, Metric 0

```

Referring to the exhibit, which command would reduce the size of the OSPF database and corresponding routes?

- A.

```
user@R1# show protocols ospf3
area 0.0.0.1 {
    area-range 2001:db9:ffff:ff00::/62;
}
```
- B.

```
user@R1# show policy-options policy-statement summary-2001
term 10 {
    from {
        route-filter 2001:db9:ffff:ff00::/62 prefix-length-range /64-/128;
    }
    then accept;
}
user@R1# show protocols ospf3
area 0.0.0.0 {
    inter-area-prefix-import summary-2001;
}
```
- C.

```
user@R1# show policy-options policy-statement summary-2001
term 10 {
    from {
        route-filter 2001:db9:ffff:ff00::/62 prefix-length-range /64-/128;
    }
    then accept;
}
user@R1# show protocols ospf3
area 0.0.0.1 {
    inter-area-prefix-export summary-2001;
}
```
- D.

```
user@R1# show protocols ospf3
area 0.0.0.1 {
    stub no-summaries;
}
```

A. Option A

B. Option B

C. Option C

D. Option D

Correct Answer: A

QUESTION 3

Which two statements are correct about Opaque LSAs in OSPF? (Choose two.)

A. Type 10 LSAs are used for MPLS traffic-engineering and have area scope.

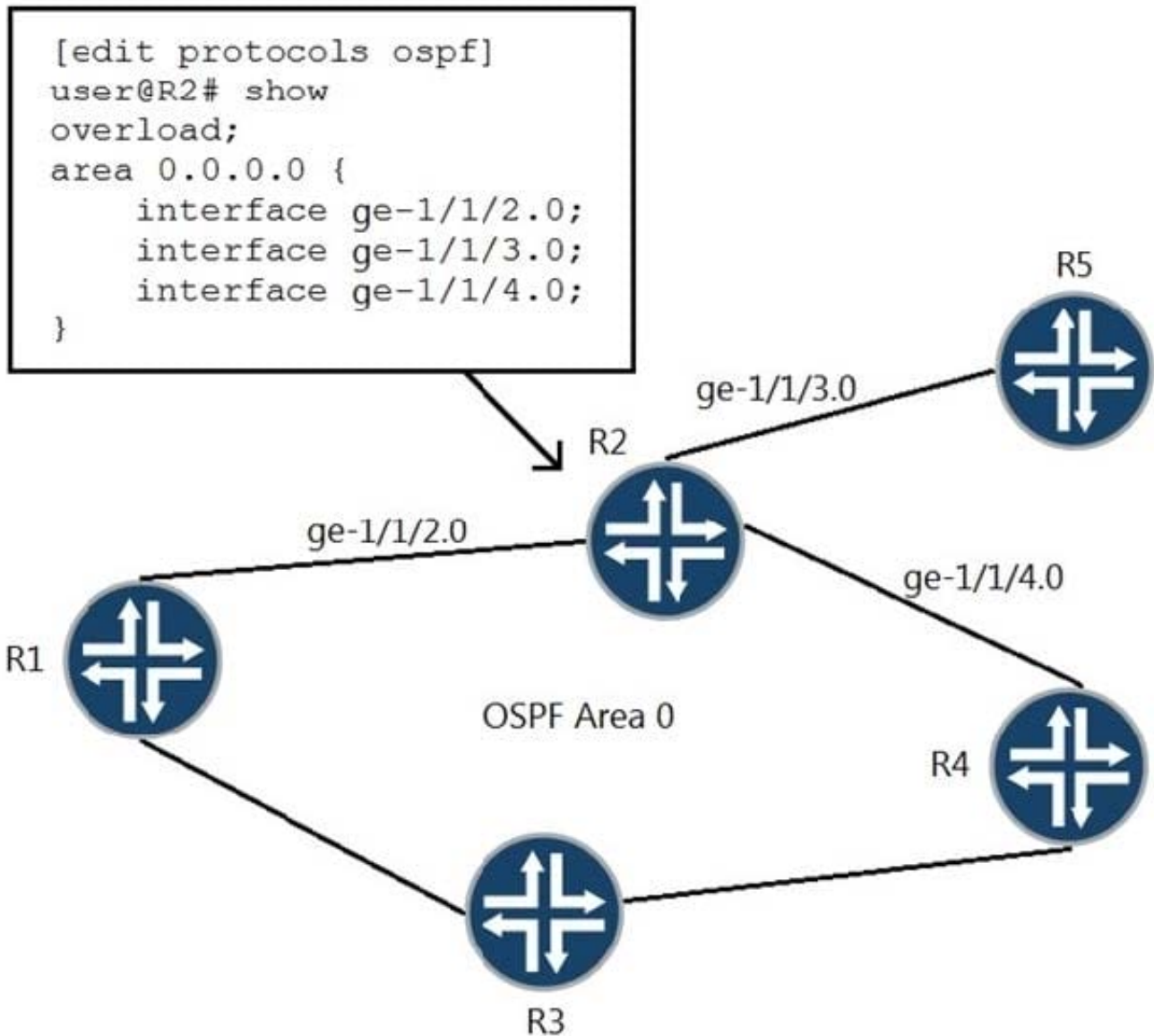
B. Type 11 LSAs are used for MPLS traffic-engineering and have area scope.

C. Type 11 LSAs are used for MPLS label exchange and have link-local scope

D. Type 9 LSAs are used for graceful-restart and have link-local scope

Correct Answer: AD

QUESTION 4



Referring to the exhibit, which two statements are correct? (Choose two.)

- A. R2 stops sending LSAs into the network.
- B. The OSPF interface metrics on R2 are all set to 65535.
- C. R1 will never forward transit traffic through R2.
- D. Transit traffic from R1 to R4 will traverse R3.

Correct Answer: BD

QUESTION 5

```
[edit routing-instances vpn-x]
user@router# show
instance-type l2vpn;
interface ge-1/0/1.513;
interface ge-1/0/1.512;
route-distinguisher 192.168.1.2:1;
vrf-import import-vpn-x;
vrf-export export-vpn-x;
protocols {
  l2vpn {
    encapsulation-type ethernet-vlan;
    site ce-a {
      site-identifier 2;
      interface ge-1/0/1.512;
      interface ge-1/0/1.513;
    }
  }
}
```

You have the Layer 2 VPN configuration shown in the exhibit. You are asked to determine the remote site ID for ge-1/0/1.512.

In this scenario, what is the remote site ID?

- A. 4
- B. 5
- C. 1
- D. 3

Correct Answer: C

[Latest JN0-663 Dumps](#)

[JN0-663 PDF Dumps](#)

[JN0-663 VCE Dumps](#)