



# JN0-661<sup>Q&As</sup>

Service Provider Routing and Switching

**Pass Juniper JN0-661 Exam with 100% Guarantee**

Free Download Real Questions & Answers **PDF** and **VCE** file from:

<https://www.lead4pass.com/jn0-661.html>

100% Passing Guarantee  
100% Money Back Assurance

Following Questions and Answers are all new published by Juniper  
Official Exam Center

-  **Instant Download** After Purchase
-  **100% Money Back** Guarantee
-  **365 Days** Free Update
-  **800,000+** Satisfied Customers





### QUESTION 1

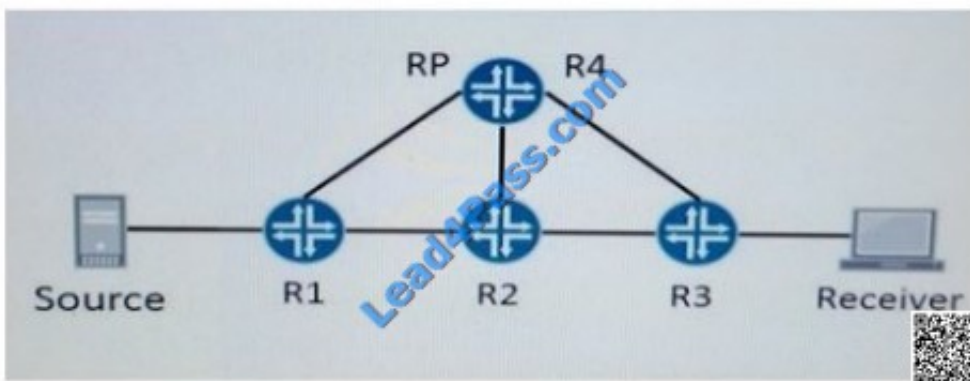
Which configuration parameter would be used by a commit script to use custom syntax and simplify the configuration?

- A. Apply-groups
- B. Allow-transients
- C. Direct-access
- D. Apply-macro

Correct Answer: D

### QUESTION 2

Click the Exhibit button



Referring to the exhibit, you have a network that uses PIM-SM and you need to block certain PIM register messages. Which two statements are correct in this situation? (Choose two.)

- A. You should apply a policy that blocks PIM register messages from the source on R4.
- B. You should apply a policy that blocks PIM register messages from the source on R3.
- C. You should apply a policy that blocks PIM register messages from the source on R2.
- D. You should apply a policy that blocks PIM register messages from the source on R1.

Correct Answer: A

### QUESTION 3

You have recently configured an aggregated Ethernet interface between two devices in your network. The member links do not all reside within the same PFE complex. You must ensure that the bandwidth and burst size defined in a policer applied to this aggregated Ethernet interface are properly enforced when the traffic falls out of profile.



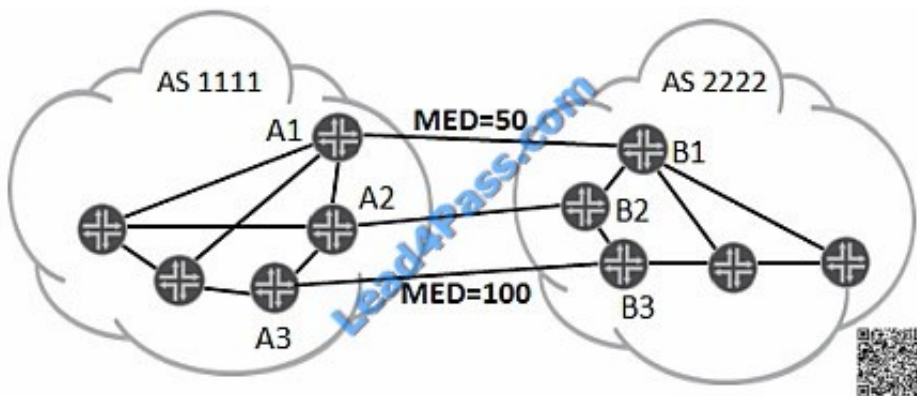
Which configuration parameter should you use?

- A. committed-information-rate
- B. committed-burst-size
- C. shared-bandwidth-policer
- D. physical-interface-policer

Correct Answer: C

#### QUESTION 4

-- Exhibit ?



-- Exhibit -Click the Exhibit button.

You are the administrator for AS 1111 and you want to inform the neighboring AS to use router A2 as the ingress path into your local AS.

Referring to the exhibit, which policy statement action for the export policy on A2 will perform this task?

- A. set policy-options policy-statement export term 10 then metric 120
- B. set policy-options policy-statement export term 10 then external
- C. set policy-options policy-statement export term 10 then metric 25
- D. set policy-options policy-statement export term 10 then priority low

Correct Answer: C

#### QUESTION 5

Which address range has been specifically reserved for use with SSM traffic?

- A. 233.0.0.0/8



B. 224.2.0.0/16

C. 232.0.0.0/8

D. 239.0.0.0/8

Correct Answer: C

[JN0-661 PDF Dumps](#)

[JN0-661 VCE Dumps](#)

[JN0-661 Practice Test](#)



To Read the [Whole Q&As](#), please purchase the [Complete Version](#) from [Our website](#).

## Try our product !

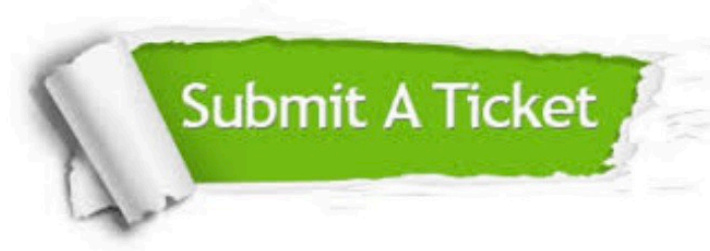
100% Guaranteed Success  
100% Money Back Guarantee  
365 Days Free Update  
Instant Download After Purchase  
24x7 Customer Support  
Average 99.9% Success Rate  
More than 800,000 Satisfied Customers Worldwide  
Multi-Platform capabilities - [Windows](#), [Mac](#), [Android](#), [iPhone](#), [iPod](#), [iPad](#), [Kindle](#)

We provide exam PDF and VCE of Cisco, Microsoft, IBM, CompTIA, Oracle and other IT Certifications. You can view Vendor list of All Certification Exams offered:

<https://www.lead4pass.com/allproducts>

## Need Help

Please provide as much detail as possible so we can best assist you.  
To update a previously submitted ticket:



 <p><b>One Year Free Update</b> Free update is available within One Year after your purchase. After One Year, you will get 50% discounts for updating. And we are proud to boast a 24/7 efficient Customer Support system via Email.</p>	 <p><b>Money Back Guarantee</b> To ensure that you are spending on quality products, we provide 100% money back guarantee for 30 days from the date of purchase.</p>	 <p><b>Security &amp; Privacy</b> We respect customer privacy. We use McAfee's security service to provide you with utmost security for your personal information &amp; peace of mind.</p>
---	---	--

Any charges made through this site will appear as Global Simulators Limited.  
All trademarks are the property of their respective owners.  
Copyright © lead4pass, All Rights Reserved.