

JN0-660^{Q&As}

Service Provider Routing and Switching, Professional

Pass Juniper JN0-660 Exam with 100% Guarantee

Free Download Real Questions & Answers **PDF** and **VCE** file from:

<https://www.lead4pass.com/jn0-660.html>

100% Passing Guarantee
100% Money Back Assurance

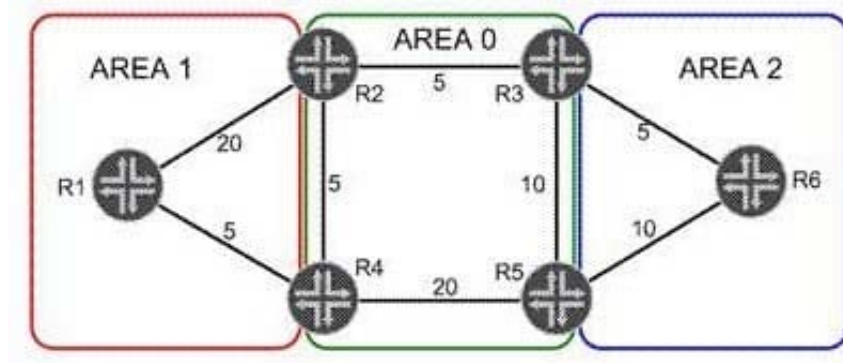
Following Questions and Answers are all new published by Juniper
Official Exam Center

-  **Instant Download** After Purchase
-  **100% Money Back** Guarantee
-  **365 Days** Free Update
-  **800,000+** Satisfied Customers



QUESTION 1

Click the Exhibit button.



Referring to the OSPF link metrics in the exhibit, which path will traffic from R6 take to reach R1?

- A. R6, R3, R2, R4, R1
- B. R6, R3, R2, R1
- C. R6, R5, R4, R1
- D. R6, R5, R3, R2, R4, R1

Correct Answer: B

QUESTION 2

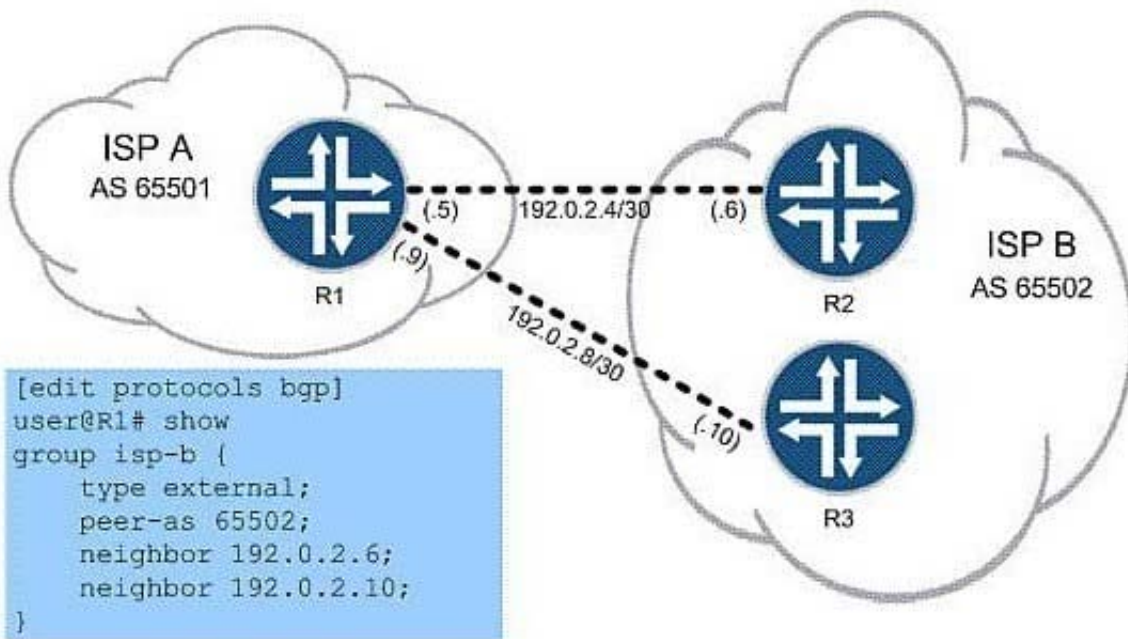
You are asked to mask your Junos MPLS core network from users that use traceroute. You have configuration privileges only on the ingress device. Which feature will accomplish this task?

- A. Egress-protection
- B. No-propagate-ttl
- C. No-record
- D. No-decrement-ttl

Correct Answer: D

QUESTION 3

Click the Exhibit button.



You work for ISP A, as shown in the exhibit, and must configure R1 to use load balancing across both available links to ISP B's network. Which command do you use to finish the configuration?

- A. set protocols bgp group isp-b multipath
- B. set routing-options forwarding-table export per-packet
- C. set protocols bgp group isp-b multihop
- D. set routing-options forwarding-table load-balance

Correct Answer: A

QUESTION 4

Which statement correctly describes the function of a policer?

- A. It defines a set of parameters, including transmission rate, queue priority, delay buffers, and congestion management and avoidance.
- B. It provides a first stage of congestion management by controlling the amount of traffic entering a device.
- C. It writes a value into an outbound packet's CoS field according to the packet's forwarding class and loss priority.
- D. It determines the amount of bandwidth allocated to a queue.

Correct Answer: B

QUESTION 5

You are setting up MPLS RSVP LSPs between R1 and R6 through your core network. You must ensure that R1 has redundant ERO paths. If the main path fails and moves traffic to a second path, it should not switch back to the original path automatically. Which two actions will accomplish these requirements? (Choose two.)

- A. Create two secondary paths.
- B. Create a primary path with a revert timer of 0 and create a secondary path.
- C. Create two primary paths.
- D. Create a primary path with the revert timer set to 255 and create a secondary path.

Correct Answer: AB

[Latest JN0-660 Dumps](#)

[JN0-660 PDF Dumps](#)

[JN0-660 VCE Dumps](#)