

## JN0-649<sup>Q&As</sup>

Enterprise Routing and Switching Professional (JNCIP-ENT)

### Pass Juniper JN0-649 Exam with 100% Guarantee

Free Download Real Questions & Answers **PDF** and **VCE** file from:

<https://www.leads4pass.com/jn0-649.html>

100% Passing Guarantee  
100% Money Back Assurance

Following Questions and Answers are all new published by Juniper  
Official Exam Center

- ⚙️ **Instant Download** After Purchase
- ⚙️ **100% Money Back** Guarantee
- ⚙️ **365 Days** Free Update
- ⚙️ **800,000+** Satisfied Customers



**QUESTION 1**

You have scheduled maintenance operations for one of the devices in your OSPF network. Referring to the exhibit, which three statements are correct? (Choose three.)

```
[edit protocols ospf]
user@R1# show
overload;
area 0.0.0.0 {
    interface ge-0/0/0.0;
interface ge-0/0/1.0;
}
```

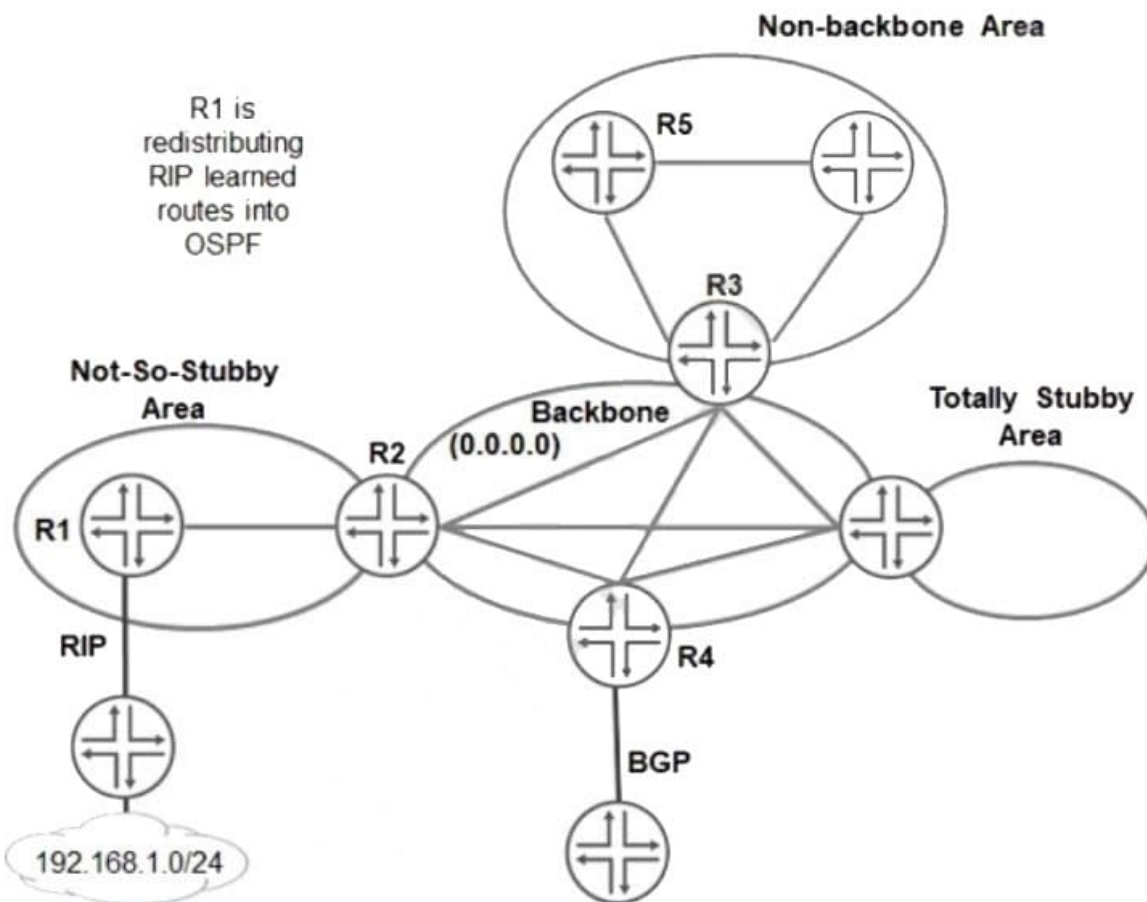
- A. R1 does not participate in OSPF routing.
- B. Any traffic destined for networks that terminate on R1 will still be forwarded to R1.
- C. The metrics for all transit interfaces on R1 is set to the maximum value of 65,535.
- D. R1 participates in OSPF routing but does not send or receive transit traffic.
- E. R1 does not send or receive transit traffic during the maintenance window even if no alternative paths exist to the given destination.

Correct Answer: BCD

---

**QUESTION 2**

Referring to the exhibit, which LSA type is used to advertise 192.168.1.0/24 to R5?



- A. Type 5
- B. Type 4
- C. Type 3
- D. Type 7

Correct Answer: A

Area-1 has no external connections. However, Area-1 has static route (172.16.31.0/24) that are not internal OSPF route. You can limit the external route advertisements to the area and advertise the static routes by designating the area an NSSA. In an NSSA, the ASBR (vMX1) generates NSSA external (Type 7) LSAs and floods them into the NSSA, where they are contained.

Type-7 LSAs allow an NSSA to support the presence of ASBR and their corresponding external routing information. The ABR (vMX2) converts Type-7 LSAs into Type-5 External LSAs and leaks them to the other areas, but external routes from other areas are not advertised within the NSSA.

An admin should check this and change it

<https://www.packetswitch.co.uk/configuring-junos-ospf-stub-and-nssa-areas/>

<https://www.juniper.net/documentation/us/en/software/junos/ospf/topics/ref/statement/nssa-edit-protocols-ospf.html>

## QUESTION 3

You are asked to configure 802.1X on your access ports to allow only a single device to authenticate. In this scenario, which configuration would you use?

- A. single supplicant mode
- B. multiple supplicant mode
- C. single-secure supplicant mode
- D. MAC authentication mode

Correct Answer: C

Single supplicant mode authenticates only the first end device that connects to an authenticator port. All other end devices connecting to the authenticator port after the first has connected successfully, whether they are 802.1X-enabled or not, are permitted access to the port without further authentication. If the first authenticated end device logs out, all other end devices are locked out until an end device authenticates. Single-secure supplicant mode authenticates only one end device to connect to an authenticator port. No other end device can connect to the authenticator port until the first logs out.

---

## QUESTION 4

You are implementing the route summarization feature of OSPF. Which two results do you achieve in this scenario? (Choose two.)

- A. It helps in migrating to future multi-area OSPF network designs.
- B. It reduced the routing table size, enabling devices to store and process less information.
- C. It reduces the impact of topology changes on a device.
- D. It provides optimal routing in the network.

Correct Answer: BC

OSPF inter-area route summarization reduces the routing information exchanged between areas and the size of routing tables, and improves routing performance. OSPF inter-area route summarization enables an ABR to summarize contiguous networks into a single network and advertise the network to other areas.

---

## QUESTION 5

Referring to the exhibit, which two statements are correct? (Choose two.)

```

user@DS-1> show spanning-tree interface
Spanning tree interface parameters for VLAN 10
Interface      Port ID      Designated      Designated      Port      State  Role
                port ID      port ID          bridge ID      Cost
ge-0/0/7.0     128:521      128:521         4106.0019e25173c0  20000  FWD    DESG
ge-0/0/8.0     128:523      128:523         4106.0019e25173c0  20000  FWD    DESG
ge-0/0/9.0     128:525      128:525         4106.0019e25173c0  20000  FWD    DESG
...
Spanning tree interface parameters for VLAN 20
Interface      Port ID      Designated      Designated      Port      State  Role
                port ID      port ID          bridge ID      Cost
ge-0/0/7.0     128:521      128:523         4116.0019e2551d40  20000  BLK    ALT
ge-0/0/8.0     128:523      128:521         4116.0019e2551d40  20000  FWD    ROOT
ge-0/0/9.0     128:525      128:525         4116.0019e2551d40  20000  BLK    ALT
    
```

- A. BPDUs from the root bridge for VLAN 10 have been received on the ge-0/0/7.0 interface.
- B. DS-1 is the root bridge for VLAN 10.
- C. BPDUs from the root bridge for VLAN 20 have been received on the ge-0/0/7.0 interface.
- D. Default VSTP bridge priority values are configured.

Correct Answer: AC

[Latest JN0-649 Dumps](#)

[JN0-649 VCE Dumps](#)

[JN0-649 Exam Questions](#)