

## JN0-648<sup>Q&As</sup>

Enterprise Routing and Switching, Professional (JNCIP-ENT)

### Pass Juniper JN0-648 Exam with 100% Guarantee

Free Download Real Questions & Answers **PDF** and **VCE** file from:

<https://www.leads4pass.com/jn0-648.html>

100% Passing Guarantee  
100% Money Back Assurance

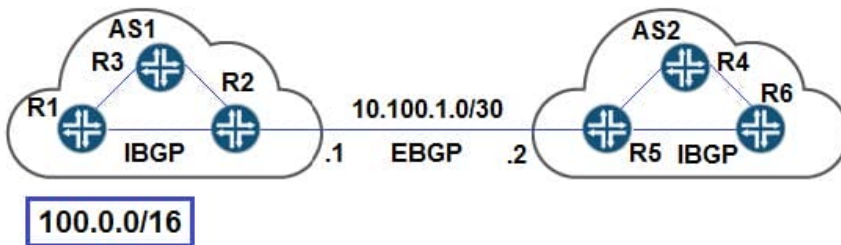
Following Questions and Answers are all new published by Juniper  
Official Exam Center

-  **Instant Download** After Purchase
-  **100% Money Back** Guarantee
-  **365 Days** Free Update
-  **800,000+** Satisfied Customers



## QUESTION 1

Click the Exhibit button.



```
user@R2> show route 100.0.0.0/16 terse
```

```
inet.0: 1400327 destinations, 14000327 routes (14000326 active, 0 holddown, 1 hidden)
+= Active Route, - = Last Active, * = Both
```

A	V	Destination	P	Prf	Metric 1	Metric 2	Next hop	AS path
*		100.0.0.0/24	I	165	100		>10.254.31.2	
			B	170	100		>10.254.31.2	I
*		100.0.1.0/24	I	165	100		>10.254.31.2	
			B	170	100		>10.254.31.2	I
*		100.0.2.0/24	I	165	100		>10.254.31.2	
			B	170	100		>10.254.31.2	I
*		100.0.3.0/24	I	165	100		>10.254.31.2	
			B	170	100		>10.254.31.2	I
*		100.0.4.0/24	I	165	100		>10.254.31.2	
			B	170	100		>10.254.31.2	I
*		100.0.5.0/24	I	165	100		>10.254.31.2	
			B	170	100		>10.254.31.2	I
.	.	.	.	.	.	.	.	.

Referring to the exhibit, you must advertise the 100.0.0.0/16 routes from AS1 to AS2, but R2 is not advertising any BGP routes to R5.

Why is this happening in this scenario?

- A. The IBGP routes will not be advertised because you must use a policy to advertise IBGP routes.
- B. The IBGP routes are not active and EBGP will advertise only active routes.
- C. The IBGP routes will not be advertised because the AS path shows as incomplete.
- D. The IBGP routes are not active because the next hop is not reachable.

Correct Answer: B

## QUESTION 2

When configuring 802.1X authentication, what are three server fail fallback settings? (Choose three.)

- A. log
- B. sustain
- C. permit
- D. count
- E. move

Correct Answer: BCE

---

### QUESTION 3

Click the Exhibit button.

```
[edit]
user@host# show interfaces
ge-1/2/0 {
  unit 0 {
    family inet {
      address 192.169.19.1/24;
      filter {
        input ingress;
      }
    }
  }
}

[edit firewall family inet filter ingress]
user@host#show
term1 {
  from {
    protocol icmp;
  }
  then {
    forwarding-class best-effort;
    accept;
  }
}
term 2 {
  from {
    source-address {
      192.168.20.0/24;
    }
  }
  then {
    forwarding-class expedited-forwarding;
    accept;
  }
}
```

Referring to the exhibit, you configured a new multifeild classifier for the ge-1/2/0 interface to move ICMP traffic to the best-effort queue and traffic from 192.168.20.0/24 to the expedited forwarding queue. You received notice that some applications are not working after the change.

Which configuration change will remedy the problem?

- A. `[edit firewall family inet filter ingress]  
user@host# set term 3 then next`
- B. `[edit firewall family inet filter ingress]  
user@host# set term 3 then accept`
- C. `[edit firewall family inet filter ingress]  
user@host# set term 2 from protocol tcp`
- D. `[edit firewall family inet filter ingress]  
user@host# set term 2 from service-filter-hit`

A. Option A

B. Option B

C. Option C

D. Option D

Correct Answer: B

---

#### QUESTION 4

You have multiple BGP routes to the same prefix with equal local-preference values and AS-path lengths. In this scenario, which route will be preferred in the route selection process?

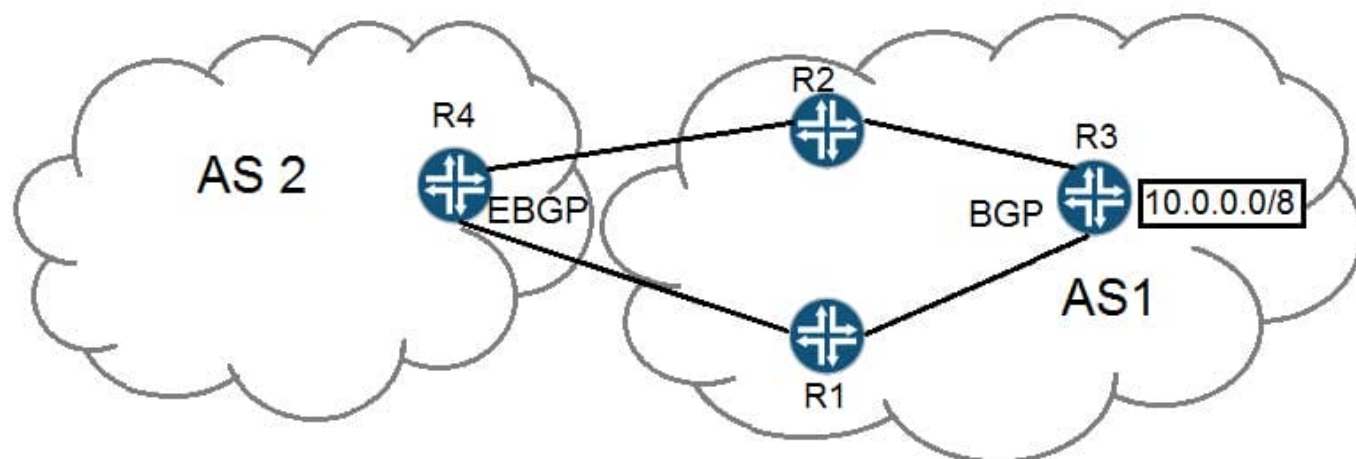
- A. The route with the least preferred origin value.
- B. The route with the lowest MED value.
- C. The route with the most preferred origin value.
- D. The route with the highest MED value.

Correct Answer: C

---

#### QUESTION 5

Click the Exhibit button.



Which well-known community needs to be used to restrict 10.0.0.0/8 from being advertised to AS 2?

- A. no-publish
- B. no-advertise
- C. no-export-subconfed
- D. no-export

Correct Answer: D

[JN0-648 PDF Dumps](#)

[JN0-648 VCE Dumps](#)

[JN0-648 Brindumps](#)