

# JN0-647<sup>Q&As</sup>

Enterprise Routing and Switching Exam

## Pass Juniper JN0-647 Exam with 100% Guarantee

Free Download Real Questions & Answers **PDF** and **VCE** file from:

<https://www.leads4pass.com/jn0-647.html>

100% Passing Guarantee  
100% Money Back Assurance

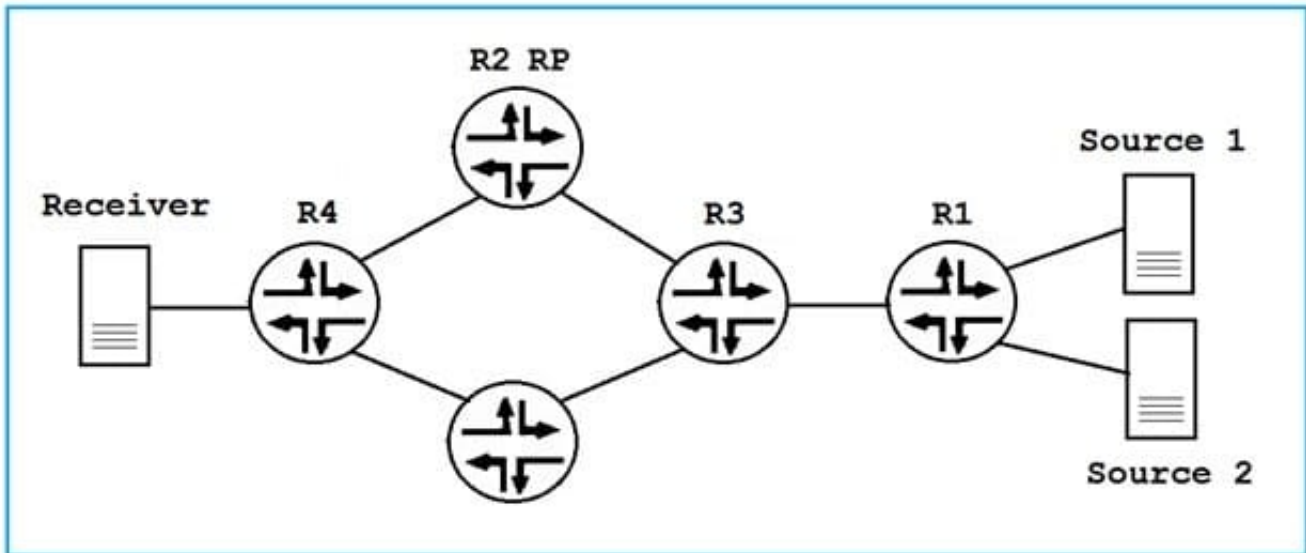
Following Questions and Answers are all new published by Juniper  
Official Exam Center

-  **Instant Download** After Purchase
-  **100% Money Back** Guarantee
-  **365 Days** Free Update
-  **800,000+** Satisfied Customers



## QUESTION 1

Click the Exhibit button.



The Receiver is attempting to join two different groups, one from each source. You want to ensure that load balancing is taking place.

Referring to the exhibit, which statement is true?

- A. R4 must have join-load-balance configured under protocol PIM.
- B. R2 must have join-load-balance configured under protocol PIM.
- C. R1 must have join-load-balance configured under protocol PIM.
- D. R3 must have join-load-balance configured under protocol PIM.

Correct Answer: A

## QUESTION 2

Click the exhibit.

```
[edit class-of-service schedulers]
user@router# show
s-1 {
    transmit-rate percent 30;
    priority high;
}
s-2 {
    transmit -rate percent 5;
    priority medium-high;
}
s-3 {
    transmit-rate percent 30;
    priority medium-low;
}
s-4 {
    transmit-rate percent 35;
    priority low;
}
```

Referring to the exhibit, traffic handled by the s-1 scheduler is out of profile. Assuming bandwidth is available in this scenario, which statement is correct?

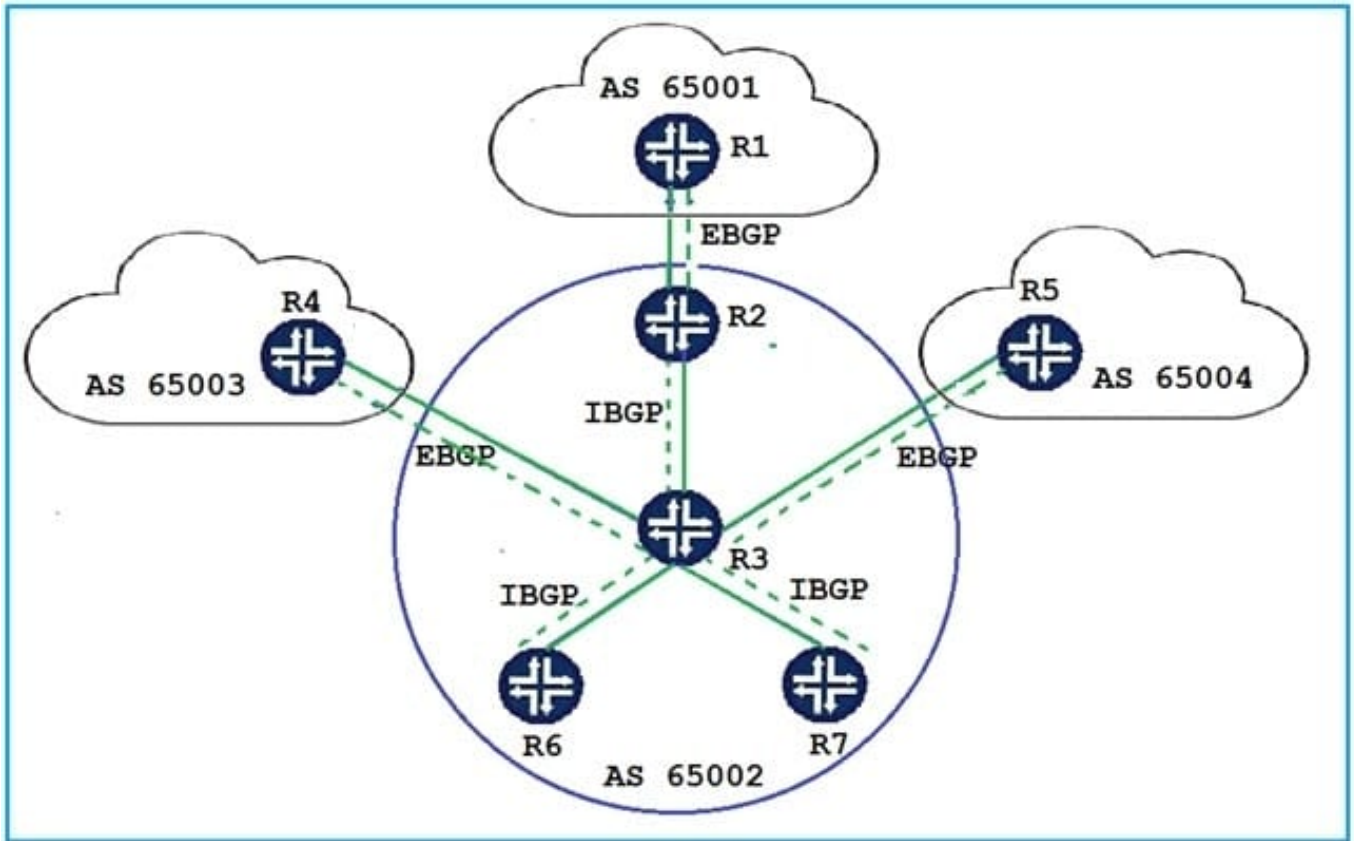
- A. Traffic handled by the s-1 scheduler is serviced immediately after traffic being serviced by the s-4 scheduler.
- B. Traffic handled by the s-1 scheduler is serviced immediately before traffic being serviced by the s-4 scheduler.
- C. Traffic handled by the s-1 scheduler is serviced immediately before traffic being serviced by the s-2 scheduler.
- D. Traffic handled by the s-1 scheduler is serviced immediately after traffic being serviced by the s-2 scheduler.

Correct Answer: D

---

### QUESTION 3

Click the Exhibit button.



Router1, in peer AS 65001, advertises routes to R2 using EBGP. R2 advertises the routes learned from R1 to R3 using IBGP. R3 is configured as a route reflector with routers R6 and R7 as clients.

Referring to the exhibit, to which routers will R3 advertise the BGP routes received from R2?

- A. R6, R7
- B. R4, R5
- C. R2, R4, R5, R6, R7
- D. R4, R5, R6, R7

Correct Answer: D

**QUESTION 4**

Which three databases are used by the Dijkstra algorithm? (Choose three.)

- A. Tree database
- B. Link State Database
- C. Candidate database
- D. MAC database

E. Configuration database

Correct Answer: ABC

### QUESTION 5

Click the Exhibit.

```
user@switch > show configuration chassis satellite-management
fpc 110 {
  alias RLC110;
  cascade-ports [xe-7/2/0 xe8/2/1];
  uplink-failure-detection{
    candidate-uplink-policy UFD;
  }
}
single-home {
  satellite all;
}

user@switch > show configuration policy-options satellite-policies
port-group-alias EX4300{
  pic2 port [0 1 ];
}
candidate-uplink-port-policy UFD{
  term 1 {
    from {
      product-model EX4300;
      uplink-port-group EX4300;
      minimum-links 1;
      holddown 20;
    }
  }
}

user@switch> show chassis satellite

Ports
Alias      Slot    State    Cascade   Port      State      Extended
RLC110     110     Online   xe-7/2/0  online    50/4
           xe-8/2/1  down
```

You are adding a Junos Fusion satellite device but one cascade port is not coming on line.

Referring to the exhibit, what would cause this problem?

A. The satellite device is not an EX4300.

- B. The cascade ports need to be on the same line card.
- C. The FPC number must match the FPC connecting to the satellite device.
- D. Interface xe-8/2/1 is in a link down state.

Correct Answer: D

[Latest JN0-647 Dumps](#)

[JN0-647 PDF Dumps](#)

[JN0-647 Braindumps](#)