

JN0-643^{Q&As}

Enterprise Routing and Switching, Professional (JNCIP-ENT)

Pass Juniper JN0-643 Exam with 100% Guarantee

Free Download Real Questions & Answers **PDF** and **VCE** file from:

<https://www.leads4pass.com/jn0-643.html>

100% Passing Guarantee
100% Money Back Assurance

Following Questions and Answers are all new published by Juniper
Official Exam Center

- ⚙️ **Instant Download** After Purchase
- ⚙️ **100% Money Back** Guarantee
- ⚙️ **365 Days** Free Update
- ⚙️ **800,000+** Satisfied Customers



QUESTION 1

What are two OSPF LSA types? (Choose two)

- A. stub
- B. router
- C. transit
- D. network

Correct Answer: BD

QUESTION 2

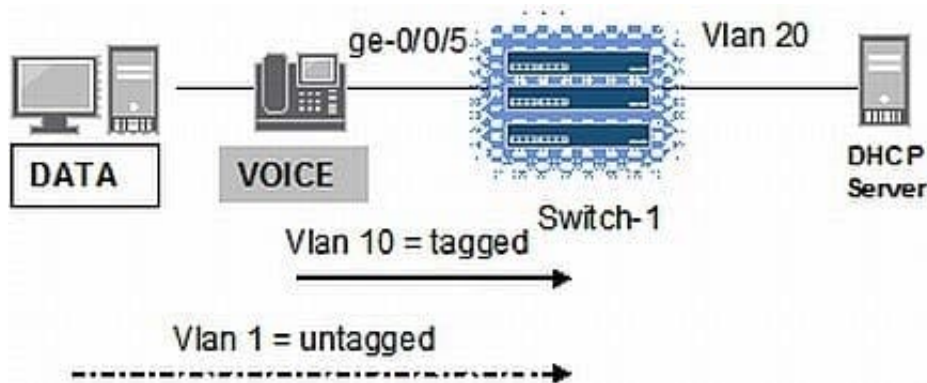
Which two LSA types are only generated by an ABR router? (Choose two.)

- A. ASBR summary LSA (Type 4)
- B. ASBR LSA (Type 5)
- C. Summary LSA (Type 3)
- D. Router LSA (Type 1)

Correct Answer: AC

QUESTION 3

-- Exhibit



-- Exhibit -Click the Exhibit button.

As shown in the exhibit, a legacy IP phone is attached to Switch-1. The phone does not support LLDP- MED, but does allow configuration using DHCP. Existing network CoS policies dictate that VoIP traffic must use VLAN 10.

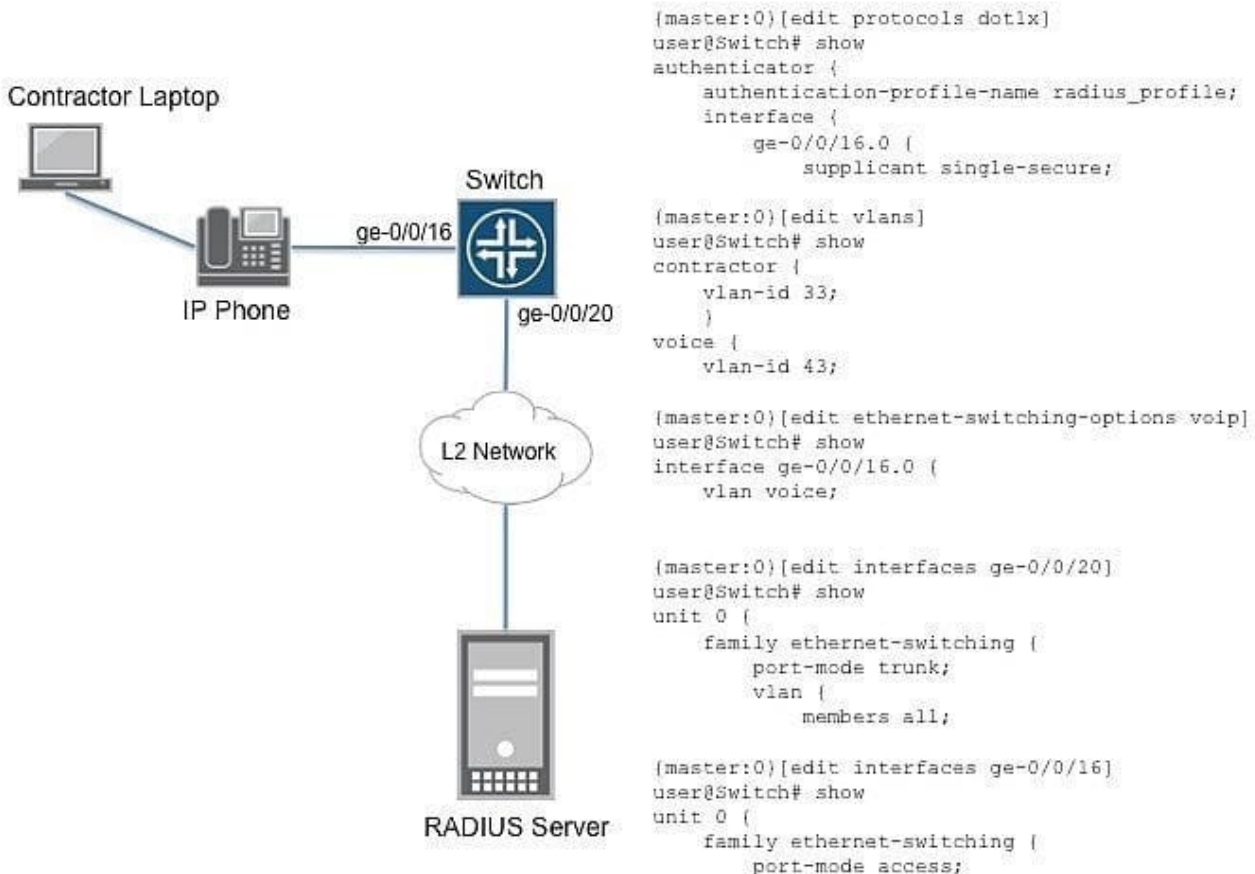
Which two actions put VoIP traffic onto VLAN 10? (Choose two.)

- A. Configure protocols cdp on Switch-1.
- B. Manually configure the voice VLAN on the IP phone.
- C. Configure vlan 1 under forwarding-options bootp.
- D. Configure interface ge-0/0/5 under forwarding-options bootp.

Correct Answer: BD

QUESTION 4

-- Exhibit



-- Exhibit -

Click the Exhibit button.

A contractor needs to connect a laptop to your company network, but your company has no wireless access and each office has only a single network port for an employee laptop. You have an IP phone with a data port available and you

have access to the switch connected to it. You can also add the contractor's MAC address to the RADIUS server database.

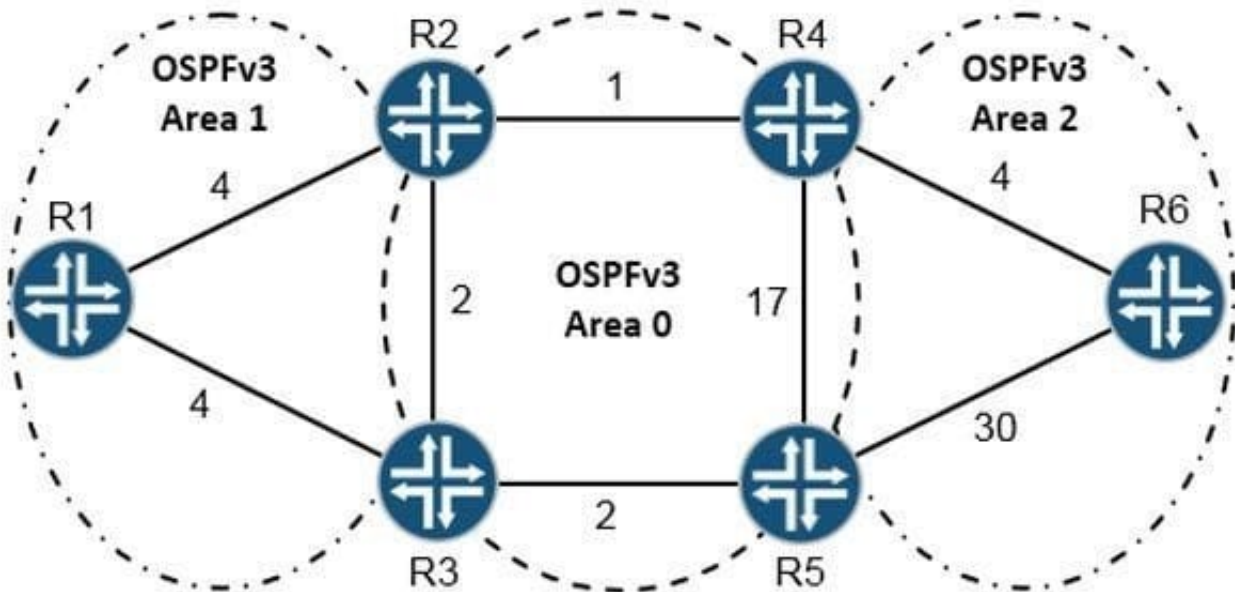
Referring to the exhibit, which three commands will allow access? (Choose three.)

- A. set protocols dot1x authenticator authentication-profile-name radius_profile interface ge- 0/0/16.0 mac- radius
- B. set interfaces ge-0/0/16.0 family ethernet-switching port-mode trunk
- C. set interfaces ge-0/0/16.0 family ethernet-switching vlan members contractor
- D. set protocols dot1x authenticator authentication-profile-name radius_profile interface ge- 0/0/16.0 supplicant multiple
- E. set interfaces ge-0/0/16.0 family ethernet-switching vlan members all

Correct Answer: ACD

QUESTION 5

-- Exhibit



-- Exhibit -Click the Exhibit button.

Referring to the exhibit, what is the shortest path from R6 to R5?

- A. R6, R4, R2, R1, R3, R5
- B. R6, R4, R2, R3, R5
- C. R6, R4, R5
- D. R6, R5

Correct Answer: D

[Latest JN0-643 Dumps](#)

[JN0-643 PDF Dumps](#)

[JN0-643 Exam Questions](#)