

# JN0-361<sup>Q&As</sup>

Service Provider Routing and Switching, Specialist Exam

## Pass Juniper JN0-361 Exam with 100% Guarantee

Free Download Real Questions & Answers **PDF** and **VCE** file from:

<https://www.leads4pass.com/jn0-361.html>

100% Passing Guarantee  
100% Money Back Assurance

Following Questions and Answers are all new published by Juniper  
Official Exam Center

- ⚙️ **Instant Download** After Purchase
- ⚙️ **100% Money Back** Guarantee
- ⚙️ **365 Days** Free Update
- ⚙️ **800,000+** Satisfied Customers



**QUESTION 1**

Click the Exhibit button.

```
[edit policy-options]
user@r1# show
policy-statement to-OSPF {
    term match-direct-route {
        from {
            protocols direct;
            route-filter 172.18.1.0/24 exact;
        }
        then accept;
    }
}

[edit protocols]
user@r1# show
ospf {
    export to-OSPF;
    area 0.0.0.1
        interface ge-1/0/0.0;
        interface lo0.0;
    }
}
```

The policy shown in the exhibit has been configured and installed on your router. What is the result of applying this policy?

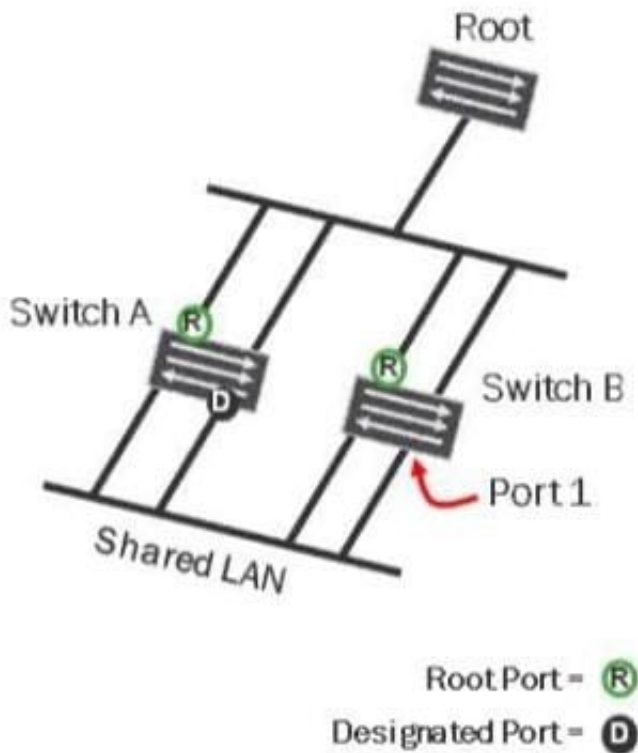
- A. The 172.18.1.0/24 network will be redistributed into OSPF as an external route.
- B. The 172.18.1.0/24 network will be redistributed into OSPF as an internal route.
- C. The 172.18.1.0/32 network will be redistributed into OSPF as an external route.
- D. The 172.18.1.0/32 network will be redistributed into OSPF as an internal route.

Correct Answer: A

---

**QUESTION 2**

Click the Exhibit button In an RSTP network, the root and designated ports have been elected as shown in the exhibit What will be the port type of port 1?



- A. backup port
- B. discarding port
- C. alternate port
- D. listening port

Correct Answer: A

**QUESTION 3**

You are using RSVP in your network to signal MPLS LSPs. You are asked to ensure that the egress MPLS router receives the full label stack, containing both the hop-by-hop and VPN label.

- A. Use the set protocols mpls explicit-null command.
- B. Use the set protocols mpls expand-loose-hop command.
- C. Use the set protocols rsvp keep-multiplier command.
- D. Apply set protocols rsvp interface no-aggregate to the egress interface.

Correct Answer: A

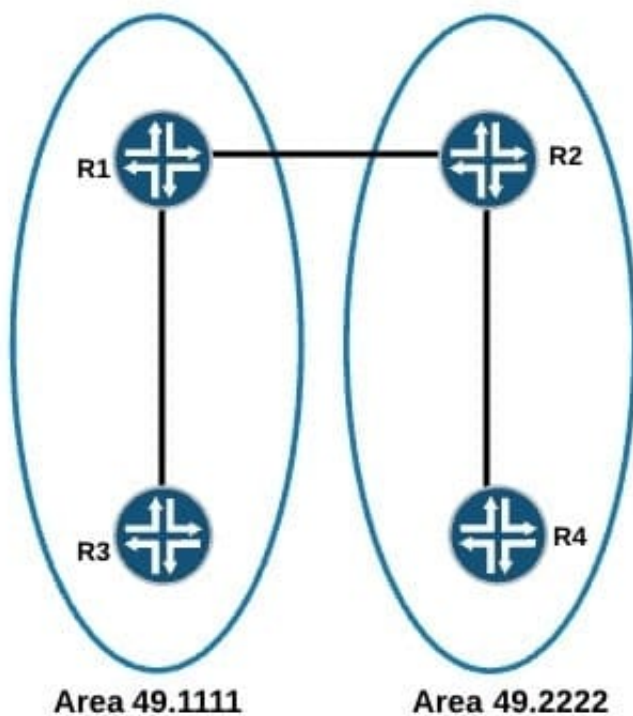
**QUESTION 4**

You have been asked to provision a service provider's network to accommodate Layer 3 VPNs as defined in RPC 4364.

Which three tasks must be performed before the provider core is ready to carry VPN traffic? (Choose three.)

- A. All P routers and PE routers must be configured to support MPLS administrative-groups (colors)
- B. All PE routers must be configured to support Multiprotocol BGP (MP-BGP)
- C. All P routers and PE routers must have a signaling protocol such as RSVP or LDP enabled
- D. All P routers and PE routers must have a discovery protocol such as LLDP or CDP enabled
- E. All P routers and PE routers must have MPLS reach ability to PE routers

Correct Answer: BCE

**QUESTION 5**

In the exhibit, R3 and R4 have the level 2 disable statements applied to their global IS-IS configuration. Which two statements are true regarding R2?

- A. R2 has a Level 1 adjacency with R1
- B. R2 has a Level 2 adjacency with R1
- C. R2 has a Level 1 adjacency with R4
- D. R2 has a Level 2 adjacency with R4

Correct Answer: BC

To form IS-IS adjacencies between Level 1 routers, devices must have Level 1 enabled on their facing interfaces. To form adjacencies with devices in other areas, the facing interfaces must be configured for Level 2.

[JN0-361 Study Guide](#)

[JN0-361 Exam Questions](#)

[JN0-361 Braindumps](#)