

JN0-1361^{Q&As}

Service Provider Design Specialist (JNCDS-SP)

Pass Juniper JN0-1361 Exam with 100% Guarantee

Free Download Real Questions & Answers **PDF** and **VCE** file from:

<https://www.lead4pass.com/jn0-1361.html>

100% Passing Guarantee
100% Money Back Assurance

Following Questions and Answers are all new published by Juniper
Official Exam Center

-  **Instant Download** After Purchase
-  **100% Money Back** Guarantee
-  **365 Days** Free Update
-  **800,000+** Satisfied Customers



QUESTION 1

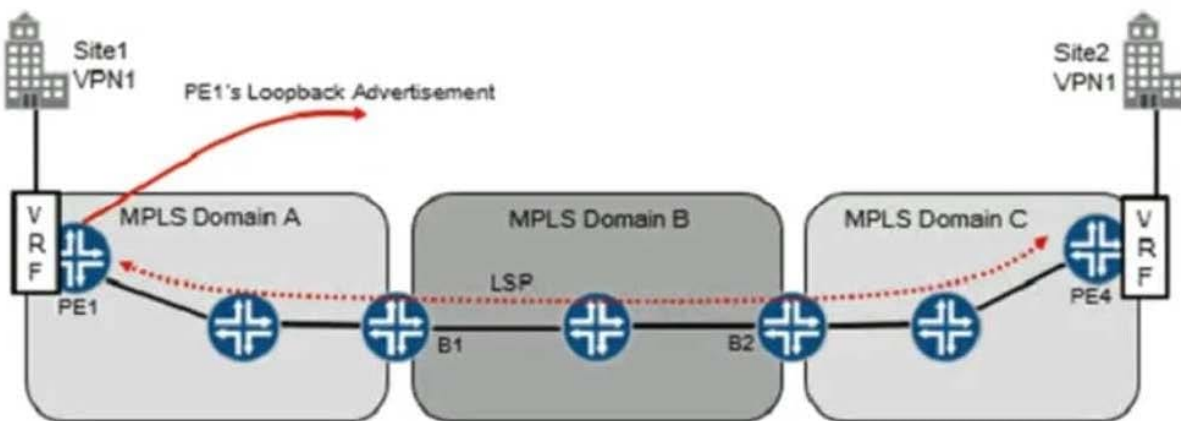
Your customer is deploying a data center with redundant connections for WAN services through ISP-1 and ISP-2. Your customer has decided to deploy an active/passive Internet connection uplink model and pay-per-use for a passive connection associated with ISP-2. The customer wants to ensure limited use of the connection through ISP-2. Which two actions would you perform to meet the objective? (Choose two)

- A. Extend the AS Path length on the prefix advertised to ISP-1 to influence ingress traffic to enter through ISP-1.
- B. Use MED and Origin to direct northbound traffic flows out ISP-1
- C. Extend the AS Path length on the prefix advertised to ISP-2 to influence ingress traffic to enter through ISP-1.
- D. Use Local Preference to direct northbound traffic flows out ISP-1

Correct Answer: CD

QUESTION 2

Click the Exhibit button Referring to the network design shown in the exhibit, you must ensure that VPN data between Site1 and Site2 will be earned over a single end-to-end LSP. How would you advertise PE1's loopback address to accomplish this task?



- A. over a single MP-IBGP session (L3VPN NLRI) between PE1/PE4
- B. over BGP-LU sessions between the PE1/B1. B1/B2 and B2/PE4
- C. over a single IBGP session (IPv4 unicast NLRI) between PE VPE4
- D. over a single EBGP session (IPv4 unicast NLRI) between PE1/PE4

Correct Answer: B

QUESTION 3

Your customer wants to use NorthStar to communicate with network devices and acquire the MPLS topology. Which protocol is recommended for this purpose?

- A. PIM-SSM
- B. OSPF
- C. BGP-LS
- D. ISIS

Correct Answer: C

QUESTION 4

Which two statements about BFD are correct? (Choose two)

- A. BFD provides link failure detection for static routes.
- B. BFD modifies each protocol timer to improve link failure detection.
- C. NSR maintains BFD sessions during Routing Engine switchover.
- D. GRES is required for BFD sessions to be established.

Correct Answer: AC

https://www.juniper.net/documentation/en_US/junos/topics/topic-map/policy-bfd-static-routes.html https://www.juniper.net/documentation/en_US/junos/topics/reference/requirements/nsrsystemrequirements.html#section-nonstop-routing-bfd-support

QUESTION 5

You are designing several MPLS virtual routing and forwarding (VRF) instances on all provider edge (PE) routers. Routes within each VRF should be exchanged between all PE routers provisioned for that VRF. For each VRF routing instance which two attributes must match on all related PE routers? (Choose two)

- A. interfaces
- B. instance type
- C. VRF target
- D. router ID

Correct Answer: BC