

JN0-1302^{Q&As}

Data Center Design Specialist (JNCDS-DC)

Pass Juniper JN0-1302 Exam with 100% Guarantee

Free Download Real Questions & Answers **PDF** and **VCE** file from:

<https://www.lead4pass.com/jn0-1302.html>

100% Passing Guarantee
100% Money Back Assurance

Following Questions and Answers are all new published by Juniper
Official Exam Center

-  **Instant Download** After Purchase
-  **100% Money Back** Guarantee
-  **365 Days** Free Update
-  **800,000+** Satisfied Customers



QUESTION 1

You are asked to deploy data classification measures in your network. You are analyzing an e-mail and notice several employees in the cc list but the e-mail does not appear to contain any sensitive data, such as security logs or financial reports.

In this scenario, how should this data be classified?

- A. public
- B. encrypted
- C. restricted
- D. private

Correct Answer: D

QUESTION 2

You are designing an EVPN/VXLAN network and want to ensure that latency between VMs on the same host is as low as possible for both Layer2 and Layer3 traffic.

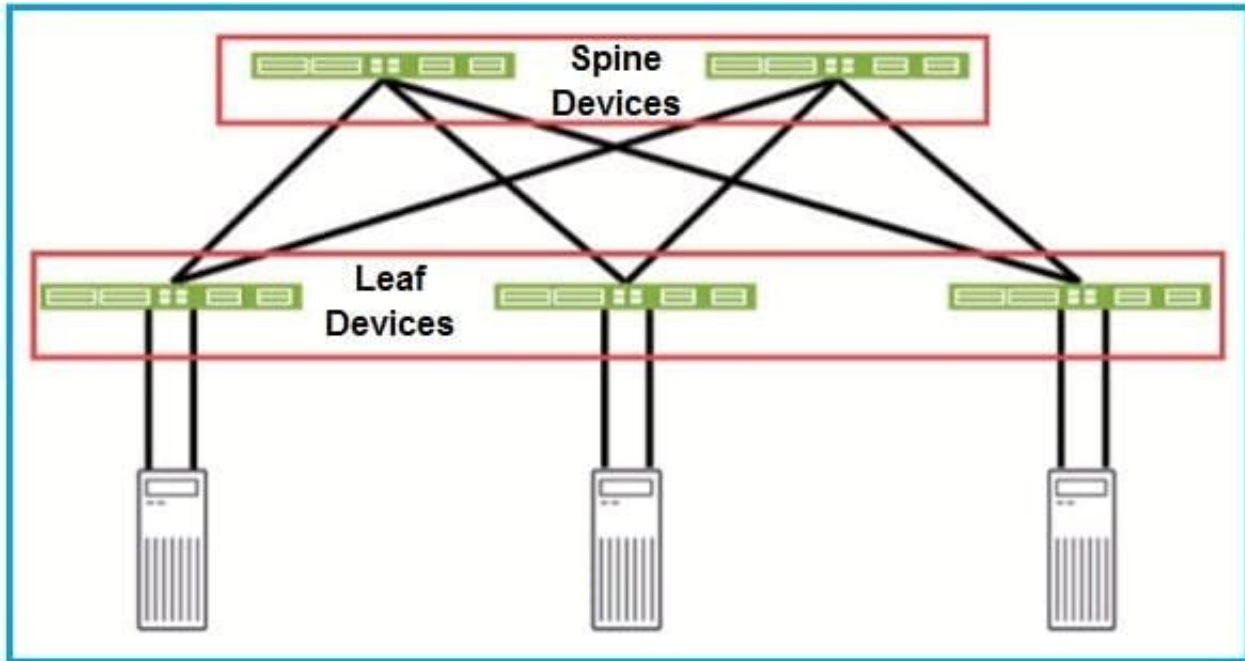
Which two design choices will accomplish this task? (Choose two.)

- A. Configure spine nodes as VXLAN Layer 3 gateways.
- B. Configure leaf nodes as VXLAN Layer 2 gateways.
- C. Configure leaf nodes as VXLAN Layer 3 gateways.
- D. Configure spine nodes as VXLAN Layer 2 gateways.

Correct Answer: AB

QUESTION 3

Click the Exhibit button.



Referring to the exhibit, which two statements are true? (Choose two.)

- A. You should use CoS rewrite rules for traffic coming into the leaf devices.
- B. You should use CoS rewrite rules for traffic leaving the leaf devices.
- C. You should use CoS rewrite rules for traffic leaving the spine devices.
- D. You should use CoS rewrite rules for traffic coming into the spine devices.

Correct Answer: BC

QUESTION 4

Which two features add NGFW capabilities to a traditional security device? (Choose two.)

- A. IPS
- B. UTM
- C. IP filters
- D. NAT

Correct Answer: BC

QUESTION 5

Your company is deploying a private cloud based on OpenStack and has selected Contrail Networking as their SDN controller. The data center supporting this private cloud will use an IP fabric architecture consisting of QFX Series switches and MX Series routers.

Which two statements are true in this scenario? (Choose two.)

- A. All vRouters maintain identical forwarding tables for all virtual networks.
- B. SDN Gateway devices may contain per-tenant MAC and IP addresses.
- C. Each vRouter maintains separate forwarding tables for various virtual networks.
- D. Spine and leaf devices may contain per-tenant MAC and IP addresses.

Correct Answer: BC

[Latest JN0-1302 Dumps](#)

[JN0-1302 PDF Dumps](#)

[JN0-1302 Study Guide](#)