

JN0-1302^{Q&As}

Data Center Design Specialist (JNCDS-DC)

Pass Juniper JN0-1302 Exam with 100% Guarantee

Free Download Real Questions & Answers **PDF** and **VCE** file from:

<https://www.leads4pass.com/jn0-1302.html>

100% Passing Guarantee
100% Money Back Assurance

Following Questions and Answers are all new published by Juniper
Official Exam Center

-  **Instant Download** After Purchase
-  **100% Money Back** Guarantee
-  **365 Days** Free Update
-  **800,000+** Satisfied Customers



QUESTION 1

What are two elements of data center security? (Choose two.)

- A. segmentation with VLANs in hypervisors
- B. DDoS protection
- C. ATP Cloud advanced anti-malware
- D. JIMS for user identify and management

Correct Answer: AB

QUESTION 2

Which statement is true about traffic prioritization?

- A. PFC and Ethernet PAUSE produce the same result.
- B. FCoE does not require DCB.
- C. CoS is the treatment of traffic end-to-end.
- D. QoS is experienced hop-by-hop

Correct Answer: D

QUESTION 3

You are asked to design a DCI that offers policy control, active/active multihoming with load balancing, and minimizes flooding of BUM traffic.

Which DCI implementation satisfies these requirements?

- A. EVPN
- B. circuit cross-connect
- C. BGP Layer 2 VPN
- D. VPLS LAG

Correct Answer: A

QUESTION 4

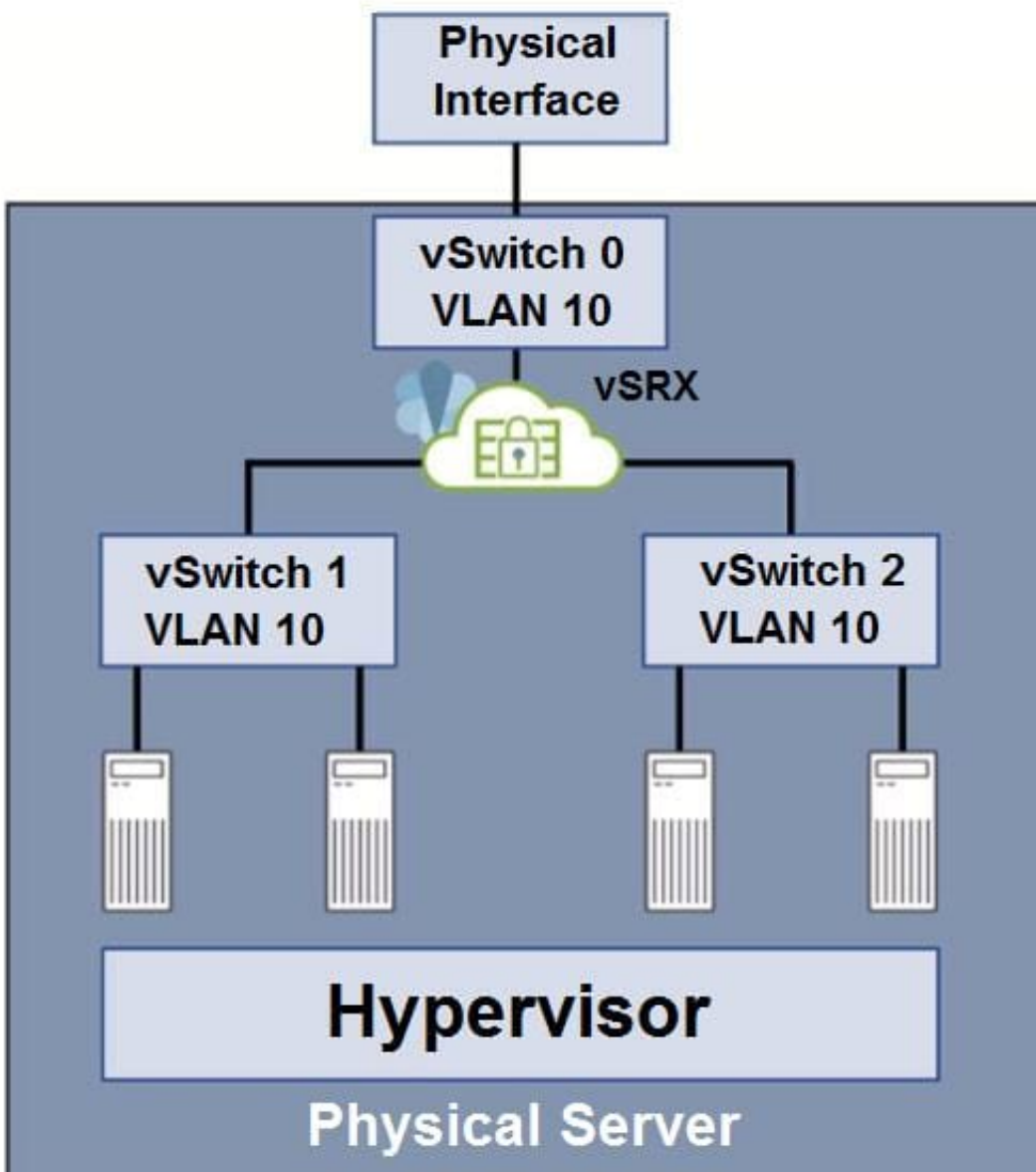
Which two Layer 2 Data Center Interconnect redundancy options support active/active forwarding? (Choose two.)

- A. VPLS LAG
- B. point-to-point LAG
- C. EVPN multihoming
- D. VPLS multihoming

Correct Answer: CD

QUESTION 5

Click the Exhibit button.



Referring to the exhibit, which two statements are true? (Choose two.)

- A. The vSRX is performing microsegmentation.
- B. The vSRX is working in routed mode.
- C. The vSRX is not performing microsegmentation.
- D. The vSRX is working in transparent mode.

Correct Answer: AD

[JN0-1302 PDF Dumps](#)

[JN0-1302 VCE Dumps](#)

[JN0-1302 Practice Test](#)