

## JN0-1302<sup>Q&As</sup>

Data Center Design Specialist (JNCDS-DC)

**Pass Juniper JN0-1302 Exam with 100% Guarantee**

Free Download Real Questions & Answers **PDF** and **VCE** file from:

<https://www.leads4pass.com/jn0-1302.html>

100% Passing Guarantee  
100% Money Back Assurance

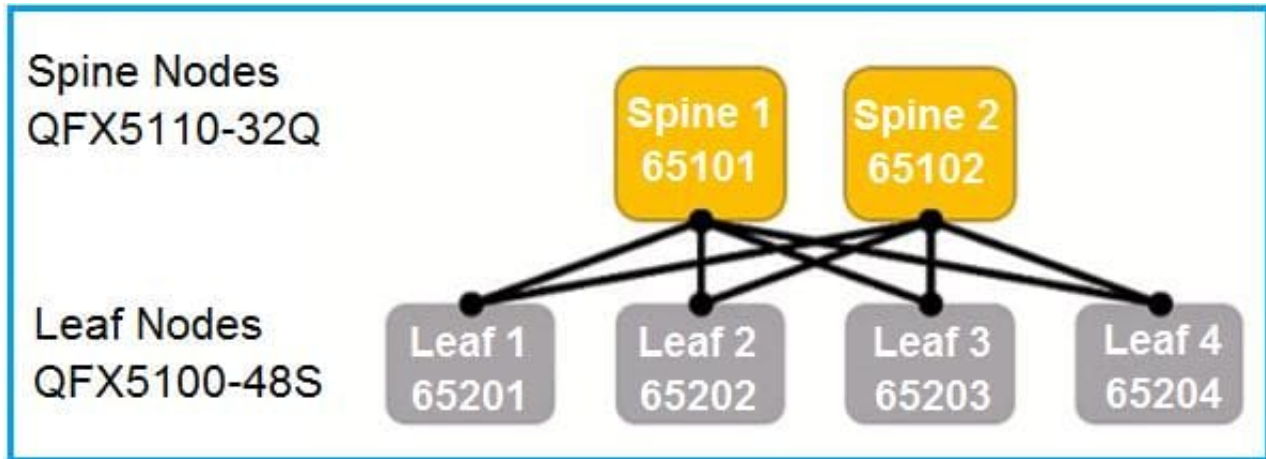
Following Questions and Answers are all new published by Juniper  
Official Exam Center

-  **Instant Download** After Purchase
-  **100% Money Back** Guarantee
-  **365 Days** Free Update
-  **800,000+** Satisfied Customers



**QUESTION 1**

Click the Exhibit button.



Given the information shown below.

2 spine nodes with (4) 40GbE interfaces each

4 leaf nodes:

Each leaf node has half-utilized (24) 10GbE interfaces.

Each leaf node has (1) 40GbE interface to each of the 2 spine nodes.

What is the oversubscription ratio for the IP fabric shown in the exhibit?

- A. 1:1
- B. 4:1
- C. 3:1
- D. 2:1

Correct Answer: C

**QUESTION 2**

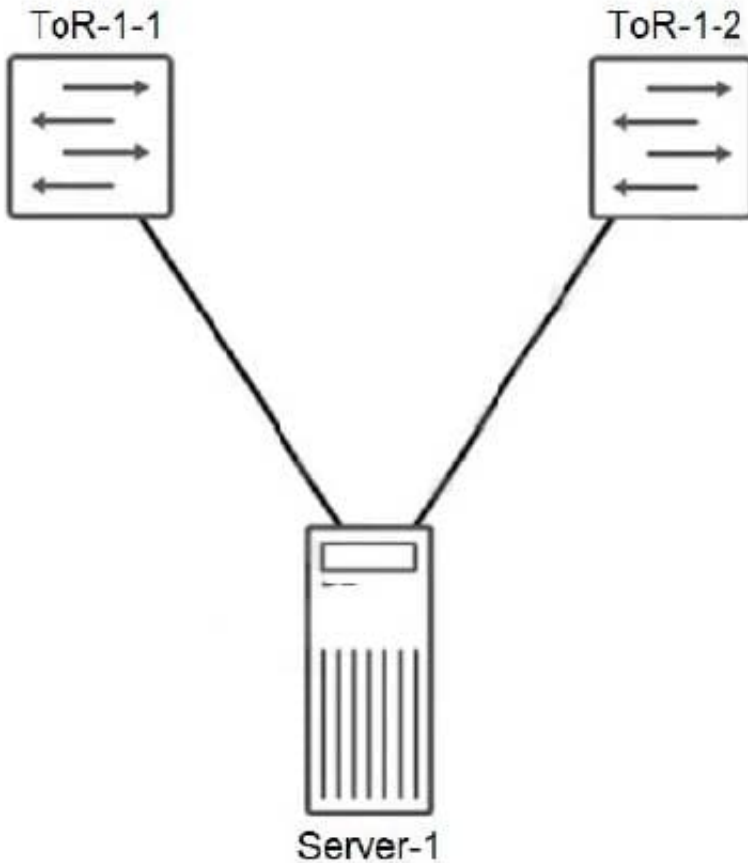
Which two statements describe SDN? (Choose two.)

- A. SDN can alleviate the need for manually configuring each network device.
- B. SDN moves forwarding functions to a centralized management platform.
- C. SDN combines the control plane and the forwarding plane into a single fabric.
- D. SDN moves compute intensive functions to a centralized controller.

Correct Answer: AD

---

### QUESTION 3



You are designing a data center where all your servers in each rack will be connected to two top-of-rack (ToR) switches using Layer 2, as shown in the exhibit. You must implement a high availability solution that maintains link layer connectivity to each server when one of the ToR switches fails.

In this scenario, which solution will accomplish this task?

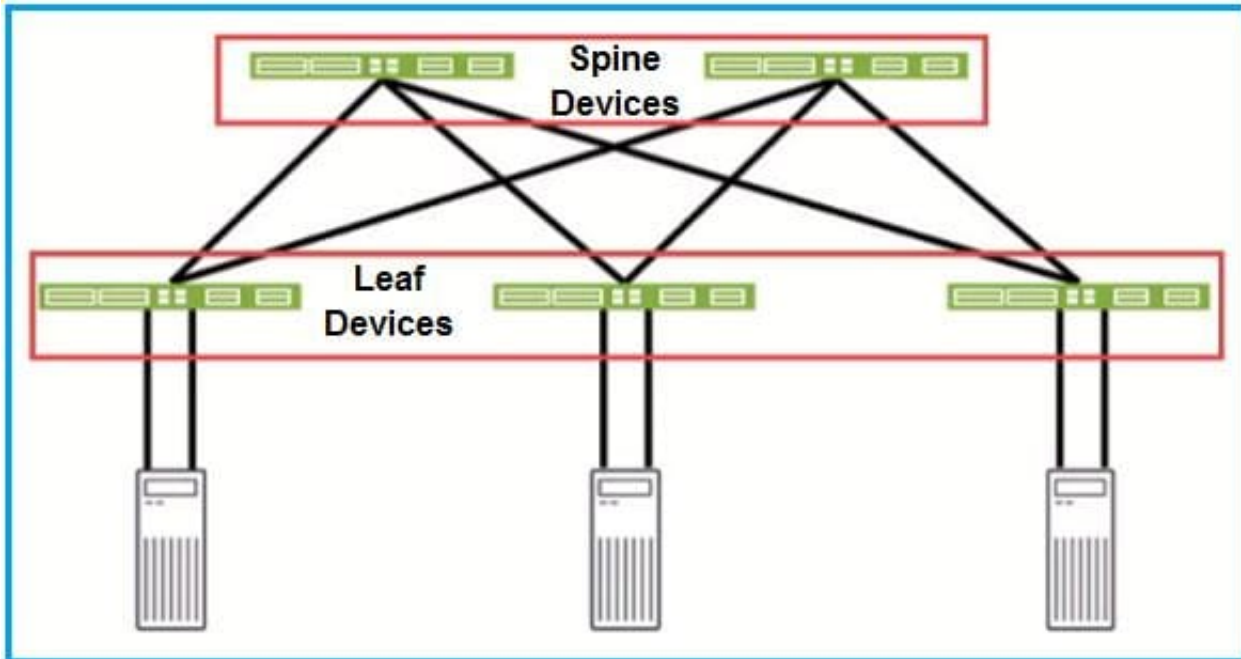
- A. VRRP
- B. LAG
- C. GRES with NSB
- D. MC-LAG

Correct Answer: D

---

### QUESTION 4

Click the Exhibit button.



Referring to the exhibit, which two statements are true? (Choose two.)

- A. You should use CoS multifield classifiers for traffic leaving the leaf devices and going to the spine devices.
- B. You should use CoS BA classifiers for traffic leaving the spine devices and going to the leaf devices.
- C. You should use CoS multifield classifiers for traffic coming into the leaf devices from the servers.
- D. You should use CoS BA classifiers for traffic coming into the spine devices from the leaf devices.

Correct Answer: AB

#### QUESTION 5

You want to reduce the over-subscription ratio of an IP fabric between the leaf nodes and spine nodes. Which two actions will accomplish this goal? (Choose two.)

- A. Add spine nodes to the fabric.
- B. Increase bandwidth between the spine and leaf.
- C. Add leaf nodes to the fabric.
- D. Add aggregate links to the servers.

Correct Answer: AB

[Latest JN0-1302 Dumps](#)

[JN0-1302 Practice Test](#)

[JN0-1302 Study Guide](#)