

## JN0-1101<sup>Q&As</sup>

Juniper Networks Certified Design Associate

**Pass Juniper JN0-1101 Exam with 100% Guarantee**

Free Download Real Questions & Answers **PDF** and **VCE** file from:

<https://www.leads4pass.com/jn0-1101.html>

100% Passing Guarantee  
100% Money Back Assurance

Following Questions and Answers are all new published by Juniper  
Official Exam Center

-  **Instant Download** After Purchase
-  **100% Money Back** Guarantee
-  **365 Days** Free Update
-  **800,000+** Satisfied Customers



**QUESTION 1**

You are designing a WAN implementation to securely connect two remote sites to the corporate office. A public Internet connection will be used for the connections.

Which statement is true in this situation?

- A. The connection should be secured using IPsec.
- B. The WAN edge devices must support MPLS.
- C. The connections support Layer 2 traffic bridging.
- D. The service provider can isolate traffic in a private MPLS instance.

Correct Answer: A

---

**QUESTION 2**

What are three examples of physical security? (Choose three.)

- A. security cameras
- B. access door keypads
- C. a mantrap
- D. man in the middle
- E. intrusion detection and prevention

Correct Answer: ABC

---

**QUESTION 3**

What are two reasons why you would send an RFP to multiple vendors (Choose two.)

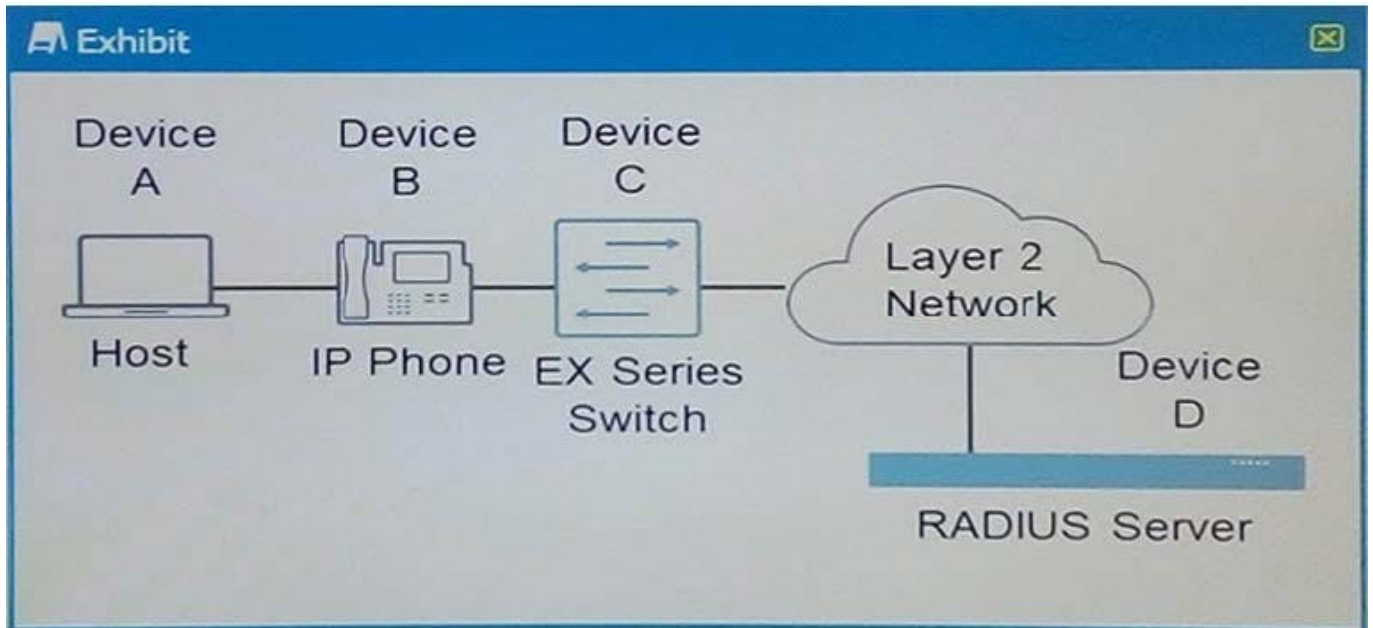
- A. to eliminate vendors who cannot meet the requirements
- B. to warranty the process against fraud
- C. to satisfy international law requiring a minimum of three vendors
- D. to compare competing proposals

Correct Answer: AD

---

**QUESTION 4**

Click the Exhibit button.



Which device plays the role of authenticator in an 802.1X design as shown in the exhibit?

- A. Device A
- B. Device B
- C. Device C
- D. Device D

Correct Answer: C

## QUESTION 5

Which two statements are true regarding greenfield projects? (Choose two.)

- A. The amount of floor space and cooling are not defined as part of a greenfield project.
- B. In greenfield projects, the existing floor space and cooling may need to be considered.
- C. Greenfield projects are typically new networks with few or no restraints to consider.
- D. Greenfield projects typically consist of existing network components with extensive integration required.

Correct Answer: AC

[Latest JN0-1101 Dumps](#)

[JN0-1101 Study Guide](#)

[JN0-1101 Exam Questions](#)