

INTEGRATION-ARCHITECTURE- DESIGNER^{Q&As}

Salesforce Certified Integration Architecture Designer

**Pass Salesforce INTEGRATION-ARCHITECTURE-
DESIGNER Exam with 100% Guarantee**

Free Download Real Questions & Answers **PDF** and **VCE** file from:

<https://www.leads4pass.com/integration-architecture-designer.html>

100% Passing Guarantee
100% Money Back Assurance

Following Questions and Answers are all new published by Salesforce
Official Exam Center

- ⚙️ **Instant Download** After Purchase
- ⚙️ **100% Money Back** Guarantee
- ⚙️ **365 Days** Free Update
- ⚙️ **800,000+** Satisfied Customers



QUESTION 1

Universal Containers has a homegrown application that polls Salesforce using SOAP API every 2 minutes to obtain newly created case information. This causes both performance issues and API usage limits to be exceeded.

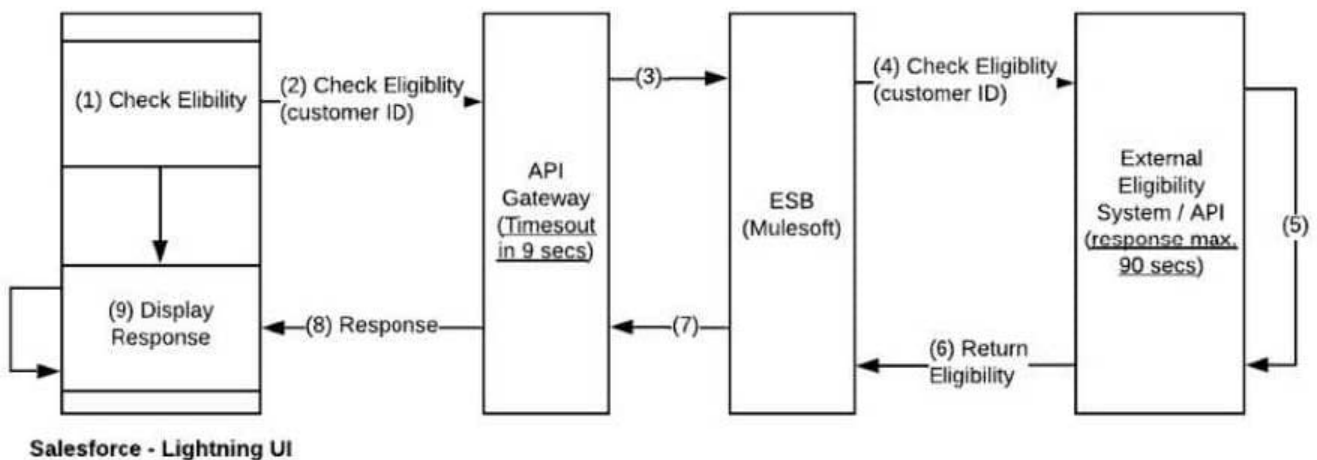
What should an Architect recommend to improve performance and optimum use the API limits?

- A. Use an Apex callout to identify new case records and send them to the client.
- B. Use Streaming API to publish new case records to a push topic and subscribe to it.
- C. Use Generic Streaming to send push notifications of case creation events to the client.
- D. Use REST API to identify new case records in Salesforce every 15 minutes.

Correct Answer: B

QUESTION 2

An enterprise architect has requested the Salesforce Integration architect to review the following (see diagram and description) and provide recommendations after carefully considering all constraints of the enterprise systems and Salesforce platform limits.



About 3,000 phone sales agents use a Salesforce Lightning UI concurrently to check eligibility of a customer for a qualifying offer.

There are multiple eligibility systems that provides this service and are hosted externally. However, their current response times could take up to 90 seconds to process and return (there are discussions to reduce the response times in future, but no commitments are made).

These eligibility systems can be accessed through APIs orchestrated via ESB (MuleSoft).

All requests from Salesforce will have to traverse through customer's API Gateway layer and the API

Gateway imposes a constraint of timing out requests after 9 seconds.

Which three recommendations should be made? Choose 3 answers

- A. ESB (Mule) with cache/state management to return a requestID (or) response if available from external system.
- B. Recommend synchronous Apex call-outs from Lightning UI to External Systems via Mule and implement polling on API gateway timeout.
- C. Use Continuation callouts to make the eligibility check request from Salesforce from Lightning UI at page load.
- D. When responses are received by Mule, create a Platform Event in Salesforce via Remote-Call-In and use the empAPI in the lightning UI to serve 3,000 concurrent users.
- E. Implement a 'Check Update' button that passes a requestID received from ESB (user action needed).

Correct Answer: ACE

QUESTION 3

Northern Trail Outfitters (NTO) has an affiliate company that would like immediate notifications of changes to opportunities in the NTO Salesforce instance. The affiliate company has a CometD client available. Which solution is recommended in order to meet the requirement?

- A. Create a connected app in the affiliate org and select the "Accept CometD API Requests".
- B. Implement a polling mechanism in the client that calls the SOAP API getupdated method to get the ID values of each updated record.
- C. Configure External Services to call the subscriber in Apex in the Onchange Trigger event as part of the flow.
- D. Create a PushTopic update event on the Opportunity Object to allow the subscriber to react to the streaming API.

Correct Answer: D

QUESTION 4

Universal Containers has decided that they will be using the bulk API to migrate the existing data into Salesforce as they will be importing a total of 80 million records.

While planning for the data migration, what techniques should the Architect recommend to make sure the load goes according to schedule?

Choose 2 answers

- A. Pre-process data that the triggers and workflows can be deactivated.
- B. Perform a test load using a full Sandbox prior to the Production load.
- C. Perform loads over a weekend server resource availability.
- D. Leverage several workstations, loading different objects simultaneously.

Correct Answer: AB

QUESTION 5

Universal Containers would like their end users to be able to periodically import lists of leads into the Salesforce lead object. What tool should an architect recommend to support this?

- A. BulkWeb-to-Lead
- B. Data Import Wizard
- C. Salesforce Workbench
- D. Salesforce Data Loader

Correct Answer: B

[INTEGRATION-ARCHITECTURE-DESIGNER VCE Dumps](#)

[INTEGRATION-ARCHITECTURE-DESIGNER Study Guide](#)

[INTEGRATION-ARCHITECTURE-DESIGNER Braindumps](#)