

# HPE6-A72<sup>Q&As</sup>

Aruba Certified Switching Associate Dumps

**Pass HP HPE6-A72 Exam with 100% Guarantee**

Free Download Real Questions & Answers **PDF** and **VCE** file from:

<https://www.leads4pass.com/hpe6-a72.html>

100% Passing Guarantee  
100% Money Back Assurance

Following Questions and Answers are all new published by HP Official Exam Center

-  **Instant Download** After Purchase
-  **100% Money Back** Guarantee
-  **365 Days** Free Update
-  **800,000+** Satisfied Customers



## QUESTION 1

ServiceOS login: admin

SVOS> password

Enter password: \*\*\*\*\*

Confirm password: \*\*\*\*\*

The login password to access an Aruba AOS-CX was lost. After connecting to the switch console port, a reboot is performed and the Service OS console is accessed as shown above.

What is the default password that is required for the admin account while under the Service OS console?

- A. No password is set for this account.
- B. "password"
- C. "forgetme!"
- D. The same login password that has lost originally.

Correct Answer: C

Reference: [https://www.arubanetworks.com/techdocs/ArubaOS\\_83\\_Web\\_Help/Content/ArubaFrameStyles/Management\\_Uutilities/enab\\_radsec\\_reset\\_admin\\_enabl\\_pwd.htm](https://www.arubanetworks.com/techdocs/ArubaOS_83_Web_Help/Content/ArubaFrameStyles/Management_Uutilities/enab_radsec_reset_admin_enabl_pwd.htm)

---

## QUESTION 2

What is the Link Layer Discovery Protocol?

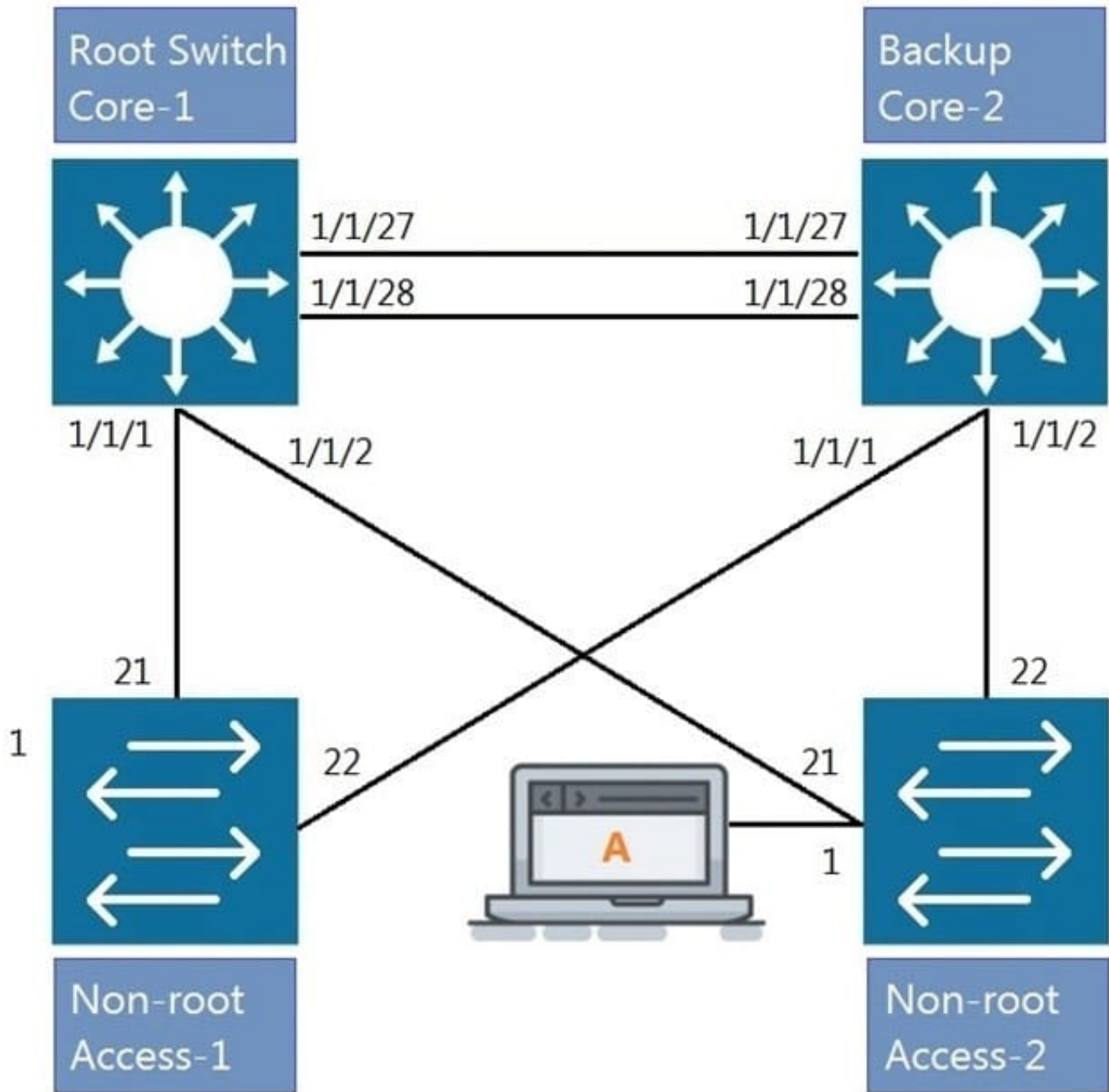
- A. a discovery protocol used between Layer 3 devices to determine routes within a single autonomous system
- B. a standardized IPv6 neighbor discovery protocol used to replace the ARP and broadcast mechanism used in IPv4
- C. a standardized protocol for communicating directly-connected device information and capabilities.
- D. an Aruba proprietary discovery protocol supported in all Aruba switches along with Cisco Discovery Protocol or CDP

Correct Answer: C

---

## QUESTION 3

Refer to the exhibit.



All four switches in the diagram have been configured with the region name "Aruba1".

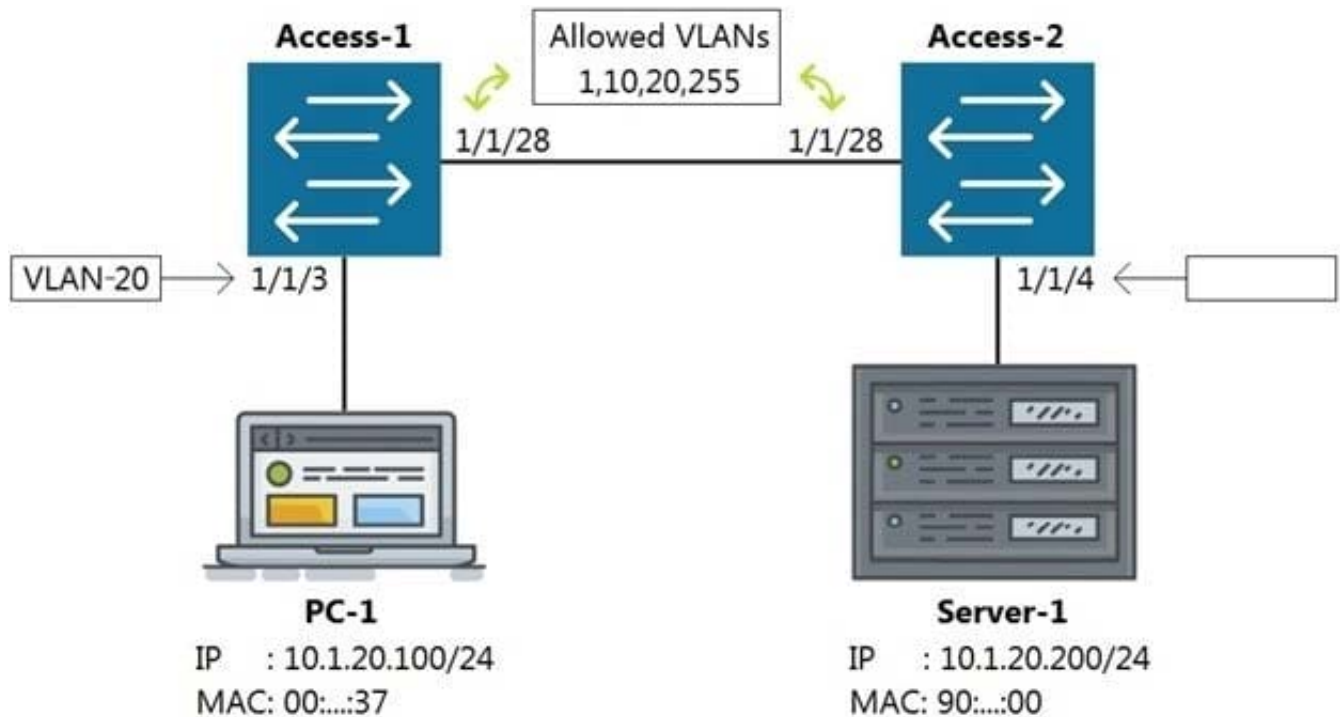
What two other MSTP configurations must match for switches within the same MST region? (Choose two.)

- A. MST region type
- B. MST Bridge ID
- C. MST version number
- D. MST revision number
- E. MST VLAN to instance mapping

Correct Answer: DE

## QUESTION 4

Refer to the exhibit



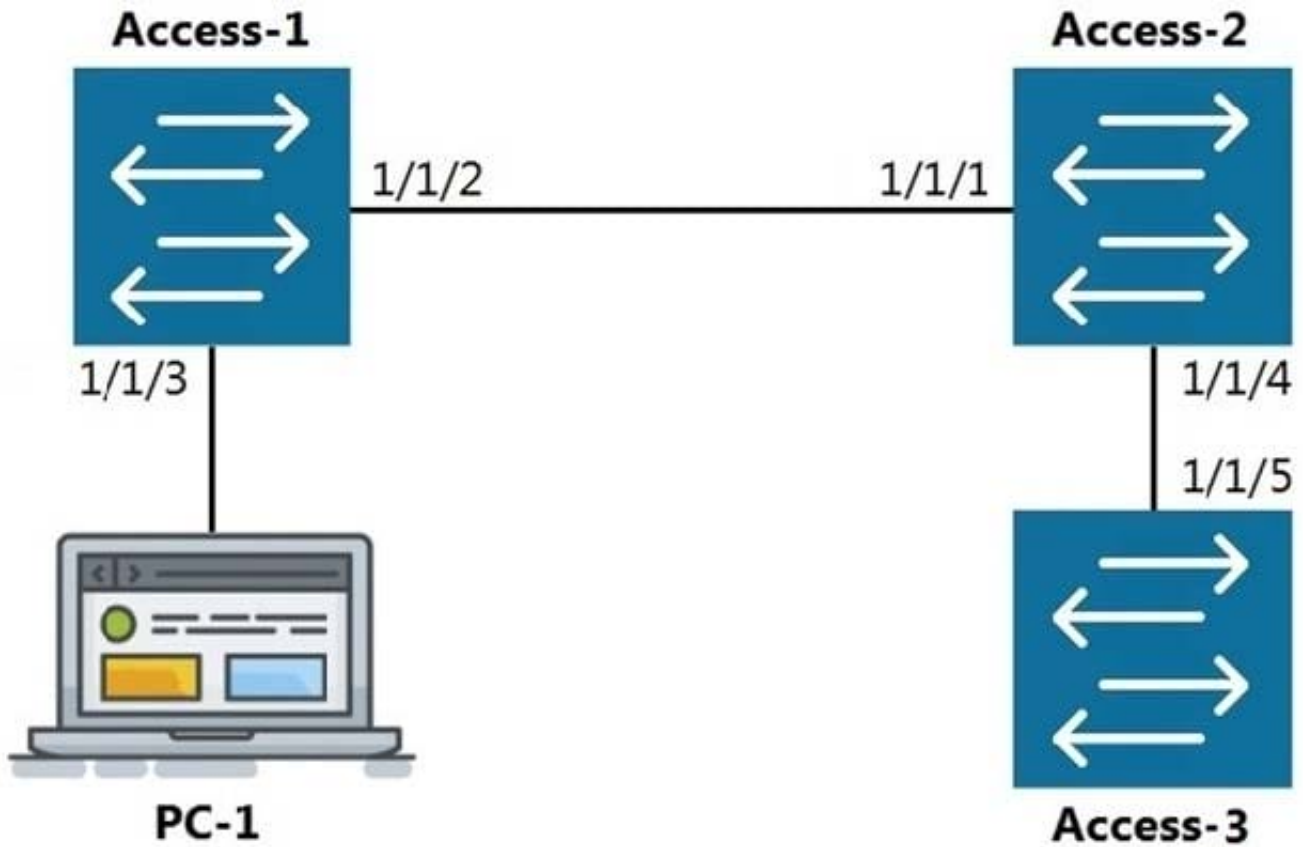
Which command on Access-2 port 1/1/4 will enable connectivity between PC-1 and Server-1 without any routing enabled in the network?

- A. Access-2 (config-if-1/1/4)# vlan access 1, 10, 20, 255
- B. Access-2 (config-if-1/1/4)# vlan access 20
- C. Access-2 (config-if-1/1/4)# vlan 20 untag 1/1/4
- D. Access-2 (config-if-1/1/4)# vlan trunk allow 1, 10, 255

Correct Answer: B

## QUESTION 5

Refer to the exhibit.



LLDP

The command `show LLDP neighbor-info` gets typed into Access-1. All switches are Aruba OS-CX switches.

What is the output of this command?

- A.

LOCAL-PORT	CHASSIS-ID	PORT-ID	PORT-DESC	TTL	SYS-NAME
1/1/1	90:20:c2:bc:ed:00	1/1/2	1/1/2	120	Access-2
1/1/5	90:20:c2:bc:ef:00	1/1/2	1/1/2	120	Access-3
- B.

LOCAL-PORT	CHASSIS-ID	PORT-ID	PORT-DESC	TTL	SYS-NAME
1/1/1	90:20:c2:bc:ed:00	1/1/2	1/1/2	120	Access-2
- C.

LOCAL-PORT	CHASSIS-ID	PORT-ID	PORT-DESC	TTL	SYS-NAME
1/1/2	90:20:c2:bc:ed:00	1/1/1	1/1/1	120	Access-2
1/1/2	90:20:c2:bc:ef:00	1/1/5	1/1/5	120	Access-3
- D.

LOCAL-PORT	CHASSIS-ID	PORT-ID	PORT-DESC	TTL	SYS-NAME
1/1/2	90:20:c2:bc:ed:00	1/1/1	1/1/1	120	Access-2

A. Option A

B. Option B

C. Option C

D. Option D

Correct Answer: D

[Latest HPE6-A72 Dumps](#)

[HPE6-A72 VCE Dumps](#)

[HPE6-A72 Braindumps](#)