

HPE6-A49^{Q&As}

Aruba Certified Design Expert 8 Written Exam

Pass HP HPE6-A49 Exam with 100% Guarantee

Free Download Real Questions & Answers **PDF** and **VCE** file from:

<https://www.leads4pass.com/hpe6-a49.html>

100% Passing Guarantee
100% Money Back Assurance

Following Questions and Answers are all new published by HP Official Exam Center

-  **Instant Download** After Purchase
-  **100% Money Back** Guarantee
-  **365 Days** Free Update
-  **800,000+** Satisfied Customers



QUESTION 1

A retailer wants to provide wireless services for guests across a section of store floor, which consists of 82 foot (25m) long aisles of cans and dry food goods. The shelves are six feet (1.8 m) high, and the ceiling height is 13 feet (4 m) high. The architect recommends overhead APs deployed at 40-50 foot (12 to 15 m) intervals every few aisles rather than in every aisle.

What is one factor that justifies this recommendation?

- A. the low transmit power of most guest devices
- B. the low shelf height relative to ceiling height
- C. the aisle length
- D. the low ceiling height

Correct Answer: B

QUESTION 2

Refer to the exhibit.

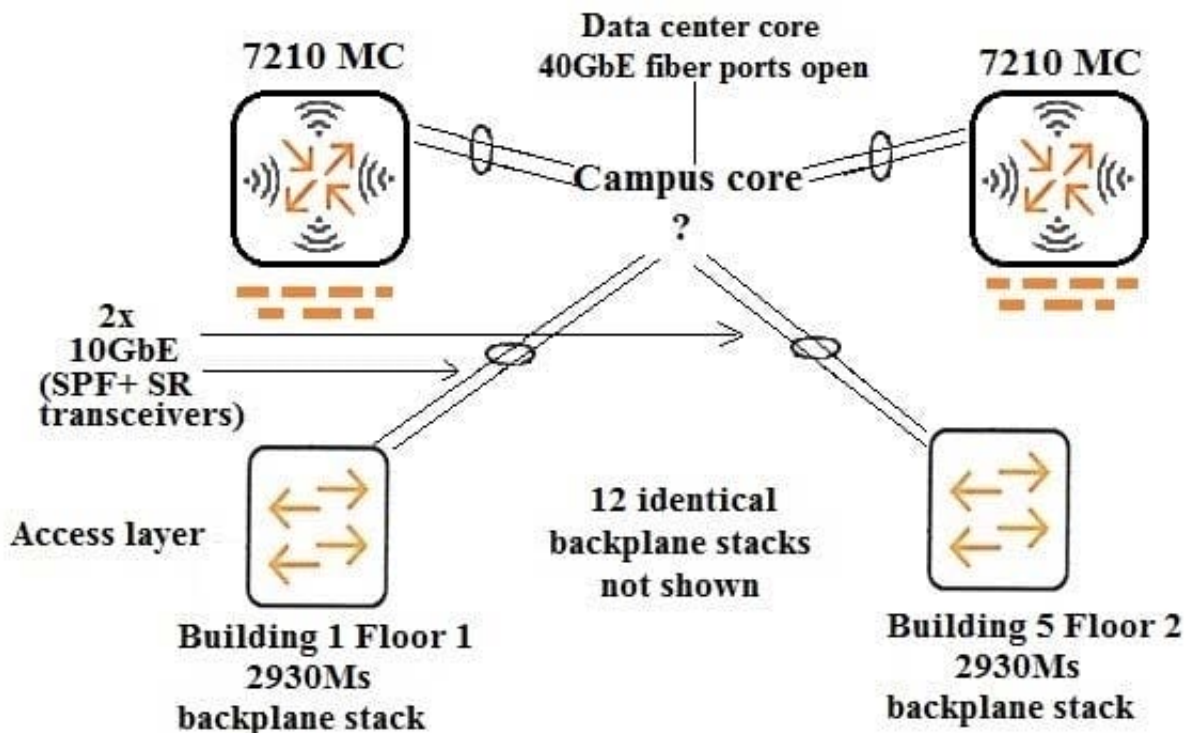


Exhibit: A49.01114316-77

An architect has planned the wireless and wired access layers for a network upgrade. The entire solution

must support 9,000 wireless devices and 2,250 wired endpoints.

The campus core must meet these requirements:

no more than 4:1 oversubscription on the links to the data center

switch-level redundancy near instant failover if one core switch fails link aggregations between access layer and core same switch software used across the entire campus

Which exhibit shows a campus core that meets the customer needs?

A.

Quotation - Composite View

Line#	Part Number	Description	Manufacturer	Unit Price	Quantity
1.00	JL095A	Aruba 5406R 16SFP+ v3 z12 Switch	Hewlett Packard Enter...	\$9,599.00	2
1.01	J9993A	INCLUDED: Aruba 8p 1G/10GbE SFP+ v3 z12 Mod	Hewlett Packard Enter...	Incl.	4
1.02	H1MT0E	HPE 3Y FC 24x7 Aruba 5406R z12 Switch SVC [for JL095A]	Hewlett Packard Enter...	\$4,094.00	2
1.03	U4832E	HPE Networks 54xx/82xx z1 Startup SVC [for JL095A]	Hewlett Packard Enter...	\$2,325.00	2
1.04	J9828A	Aruba 5400R 700W PoE+ z12 PSU	Hewlett Packard Enter...	\$799.00	2
1.05	J9828A ABA	INCLUDED: Power Card - U.S. localization	Hewlett Packard Enter...	Incl.	2
1.06	J91500	Aruba 10G SFP+ LC SR 300m MMF Transceiver	Hewlett Packard Enter...	\$1,040.00	32
1.07	J9996A	Aruba 2p 40GbE QSFP+ LC BiDi 150m MMF 2-strand Transceiver	Hewlett Packard Enter...	\$6,799.00	4
1.08	JL308A	Aruba 40G QSFP+ LC BiDi 150m MMF 2-strand Transceiver	Hewlett Packard Enter...	\$1,095.00	2
2.00	JH234A	HPE X242 40G QSFP+ to QSFP+ 1m DAC Cable	Hewlett Packard Enter...	\$419.00	2
Quote Total					

B.

C.

Quotation - Composite View

Line#	Part Number	Description	Manufacturer	Unit Price	Quantity
1.00	JL095A	Aruba 5406R 16SFP+ v3 z12 Switch	Hewlett Packard Enter...	\$9,599.00	2
1.01	J9993A	INCLUDED: Aruba 8p 1G/10GbE SFP+ v3 z12 Mod	Hewlett Packard Enter...	Incl.	4
1.02	H1MT0E	HPE 3Y FC 24x7 Aruba 5406R z12 Switch SVC [for JL095A]	Hewlett Packard Enter...	\$4,094.00	2
1.03	U4832E	HPE Networks 54xx/82xx z1 Startup SVC [for JL095A]	Hewlett Packard Enter...	\$2,325.00	2
1.04	J9828A	Aruba 5400R 700W PoE+ z12 PSU	Hewlett Packard Enter...	\$799.00	2
1.05	J9828A ABA	INCLUDED: Power Card - U.S. localization	Hewlett Packard Enter...	Incl.	2
1.06	J91500	Aruba 10G SFP+ LC SR 300m MMF Transceiver	Hewlett Packard Enter...	\$1,040.00	32
1.07	J9996A	Aruba 2p 40GbE QSFP+ LC BiDi 150m MMF 2-strand Transceiver	Hewlett Packard Enter...	\$6,799.00	4
1.08	JL308A	Aruba 40G QSFP+ LC BiDi 150m MMF 2-strand Transceiver	Hewlett Packard Enter...	\$1,095.00	2
Quote Total					

Quotation - Composite View

Line#	Part Number	Description	Manufacturer	Unit Price	Quantity
1.00	JL479A	Aruba 8320 48 10/6 40 X475 5 2 Bundle	Hewlett Packard Enter...	\$24,995.00	2
1.01	JL479A ABA	INCLUDED: Power Card - U.S. localization	Hewlett Packard Enter...	Incl.	2
1.02	H8XK5E	HPE 3Y FC 24x7 Aruba 8320 SWT SVC [for JL479A]	Hewlett Packard Enter...	\$8,093.00	2
1.03	J9150D	Aruba 10G SFP+ LC SR 300m MMF Transceiver	Hewlett Packard Enter...	\$1,040.00	32
1.04	JL30BA	Aruba 40G QSFP+ LC BDI 150m MMF 2-strand Transceiver	Hewlett Packard Enter...	\$1,095.00	2
2.00	JH234A	HPE X242 40G QSFP+ to QSFP+ 1m DAC Cable	Hewlett Packard Enter...	\$419.00	2
Quote Total					

D.

Quotation - Composite View

Line#	Part Number	Description	Manufacturer	Unit Price	Quantity
1.00	JL479A	Aruba 8320 48 10/6 40 X475 5 2 Bundle	Hewlett Packard Enter...	\$24,995.00	2
1.01	JL479A ABA	INCLUDED: Power Card – U.S. localization	Hewlett Packard Enter...	Incl.	2
1.02	H8XK5E	HPE 3Y FC 24x7 Aruba 8320 SWT SVC [for JL479A]	Hewlett Packard Enter...	\$8,093.00	2
1.03	J9150D	Aruba 10G SFP+ LC SR 300m MMF Transceiver	Hewlett Packard Enter...	\$1,040.00	32
1.04	JL30BA	Aruba 40G QSFP+ LC BDI 150m MMF 2-strand Transceiver	Hewlett Packard Enter...	\$1,095.00	2
Quote Total					

Correct Answer: B

QUESTION 3

Case study

A customer needs a wireless network upgrade for 802.11ac and possibly an upgrade to the wired network.

The customer requires dual-radio 802.11ac APs, each radio of which can support 4x4 MIMO at full feature set.

The customer has given architects this information about their wireless devices:

2700 IoT devices which will have only wireless connections; they support WPA2 with 802.1X

300 on each floor in 3 buildings with 3 floors each

5,400 users, who use devices such as laptops and smartphones

600 users on each floor in 3 buildings with 3 floors each

24 security cameras which will have only wireless connections; they support WPA2 with 802.1X and have a local power source

4 on floor 1 of each of the 3 buildings

2 on the other 6 floors

The architect also has collected information about the existing wired network.

The existing access layer switches support these features:

10/100/1000 edge ports

PoE (802.3af)

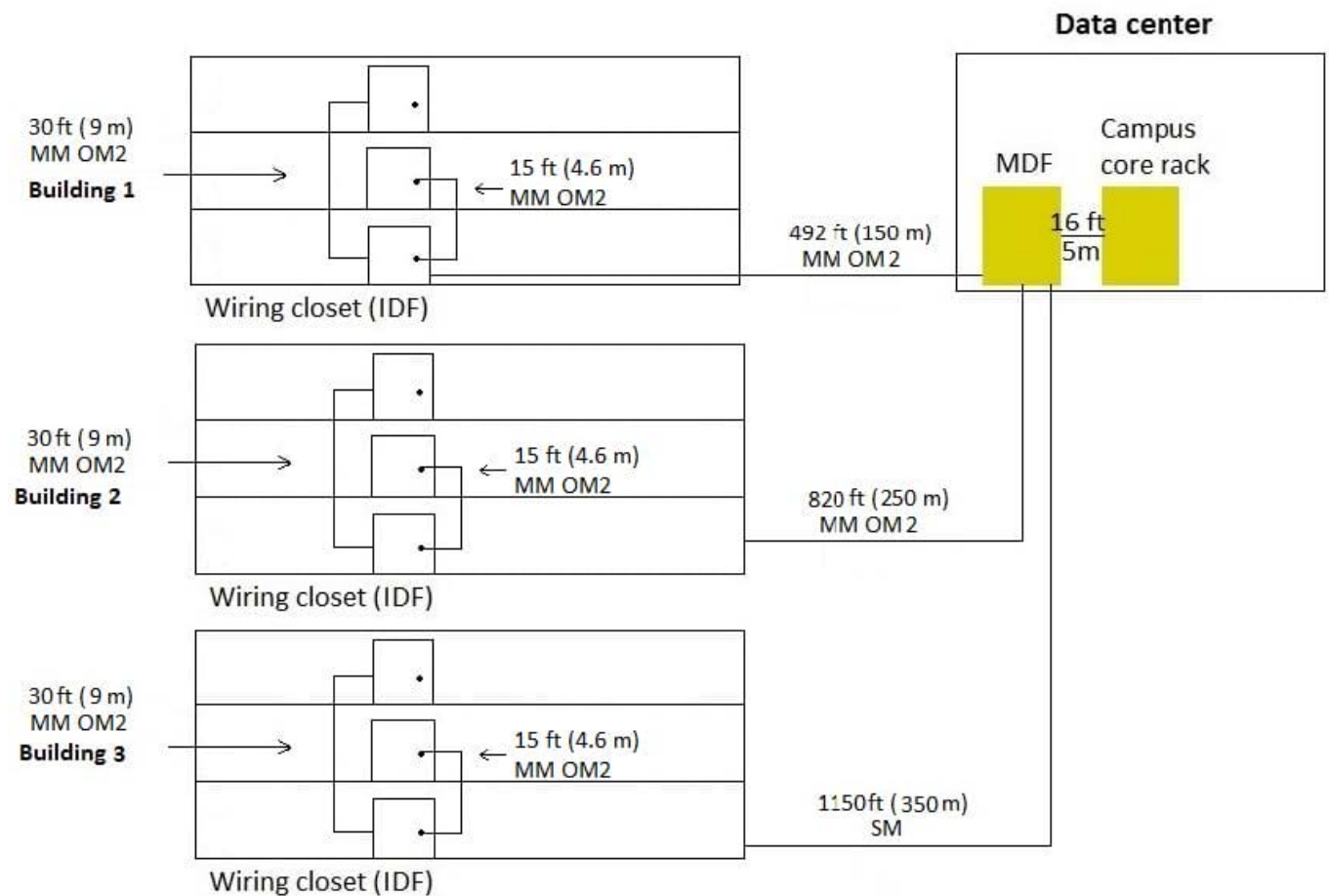
1GbE fiber uplinks

The existing aggregation switches support these features:

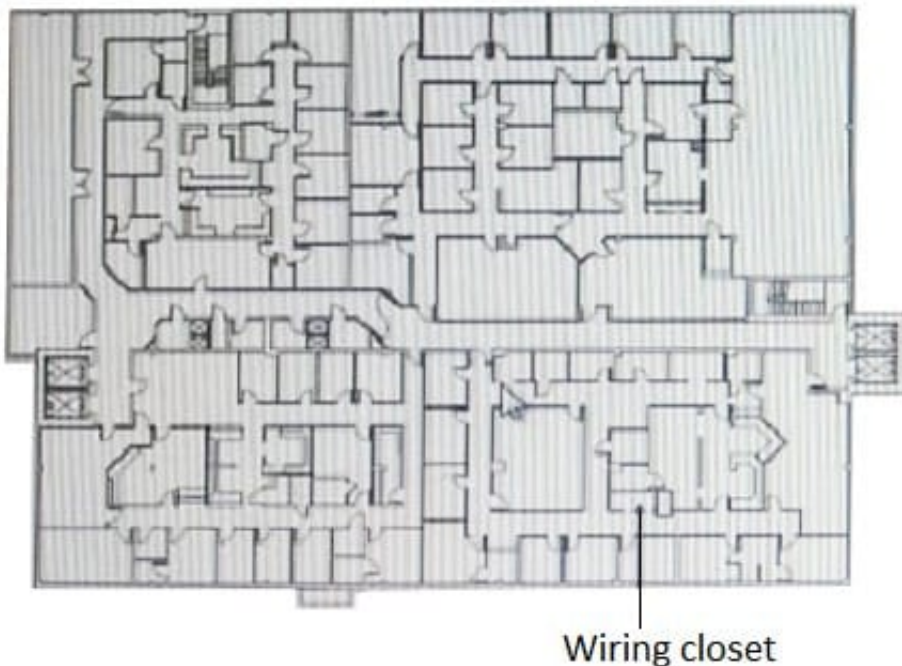
1/10GbE fiber ports

ARP tables up to 62,000

The customer has provided this figure that shows the existing cabling between floors and between buildings:



Each floor is about 100 feet (30 m) by 140 feet (43 m) with a 10 foot (3 m) ceiling. Interior walls are drywall. The layout for each floor is similar to that shown below. CAT5e cable is extended to all areas.



What is one piece of additional information architects should obtain from the customer before they design the wireless solution?

- A. whether the users sometimes connect their laptops with Ethernet
- B. whether the IoT devices support MAC-Auth
- C. the number of concurrently used wireless devices per user
- D. the power requirements for the security cameras

Correct Answer: C

QUESTION 4

A university has a dormitory with several floors. Currently, APs are deployed in the hallways about every 50 feet (15 m). The university has several issues with the existing network:

Students complain that the wireless network is very slow, and IT staff have observed a low signal in the student rooms.

Students want to connect some equipment, such as gaming consoles and IP TVs, on Ethernet, but the dorm rooms just have one Ethernet port.

What could the architect plan to resolve all of these pain points?

- A. Deploy an AP 335 inside each dorm room.
- B. Keep the existing APs, but add more in the hallways to increase signal strength.

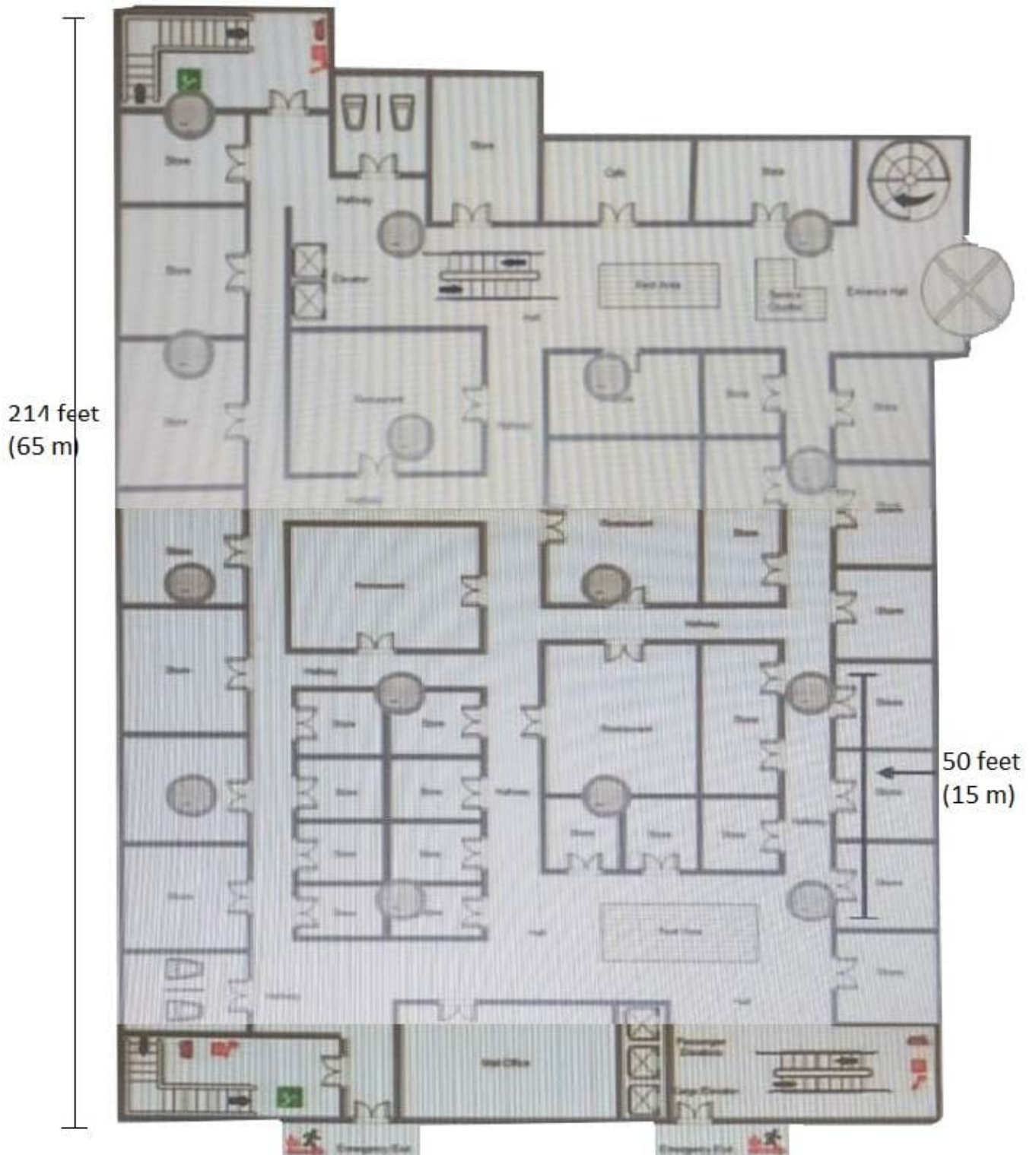
C. Replace the existing APs with AP 345s and add more Ethernet ports to each room.

D. Deploy an AP 303H inside each dorm room.

Correct Answer: D

QUESTION 5

Refer to the exhibit.



A mall has an existing Aruba solution with 15 AP-335s. The mall now wants to add Meridian and location-based services, in particular blue dot wayfinding. The customer plans to use the built-in beacon in the existing AP radios. These Meridian licenses have been proposed: 1x Aruba Meridian Maps 1x Aruba Meridian Blue Dot Nav Which concern should the architect raise about this plan?

- A. Separate beacons should be deployed to provide proper coverage for wayfinding.
- B. Only the Blue Dot Nav license is required to meet the customer requirements.

C. The customer requires wireless sensors to manage the beacons in the AP radios.

D. The existing AP radios do not support beacon functionality.

Correct Answer: A

[HPE6-A49 PDF Dumps](#)

[HPE6-A49 Practice Test](#)

[HPE6-A49 Exam Questions](#)