

HPE6-A45^{Q&As}

Implementing Aruba Campus Switching solutions

Pass HP HPE6-A45 Exam with 100% Guarantee

Free Download Real Questions & Answers **PDF** and **VCE** file from:

<https://www.leads4pass.com/hpe6-a45.html>

100% Passing Guarantee
100% Money Back Assurance

Following Questions and Answers are all new published by HP Official Exam Center

-  **Instant Download** After Purchase
-  **100% Money Back** Guarantee
-  **365 Days** Free Update
-  **800,000+** Satisfied Customers



QUESTION 1

Refer to the exhibits.

Exhibit 1

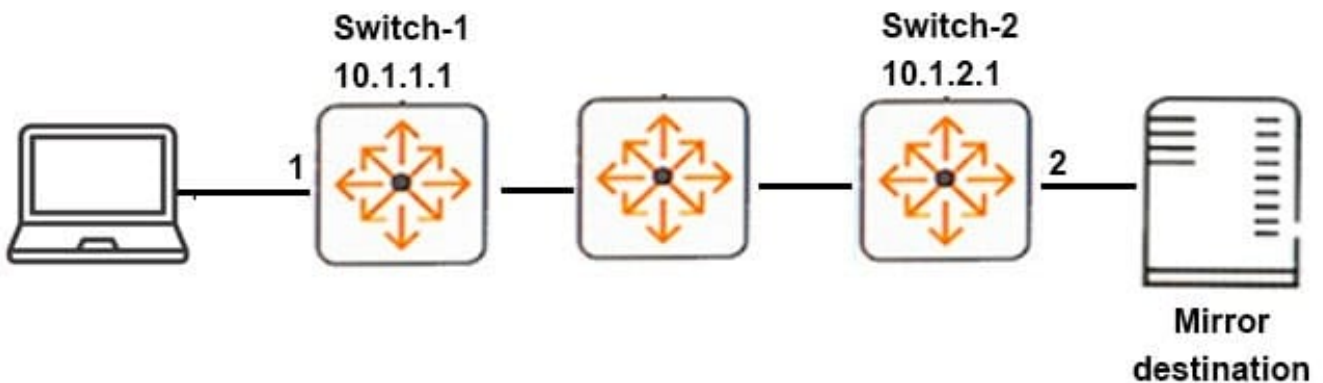


Exhibit 2

```
Switch-2(config)# mirror endpoint ip 10.1.2.1 50000 10.1.1.1 1
```

```
Switch-1(config)# mirror 1 remote-ip 10.1.1.1 50000 10.1.2.1
```

```
Switch-1(config)# interface 1 monitor all both mirror 1
```

A network administrator wants to set up mirroring of traffic from port 1 on Switch-1 to port 1 on Switch-2. Exhibit-2 shows the commands that the administrator enters. The mirroring does not work correctly.

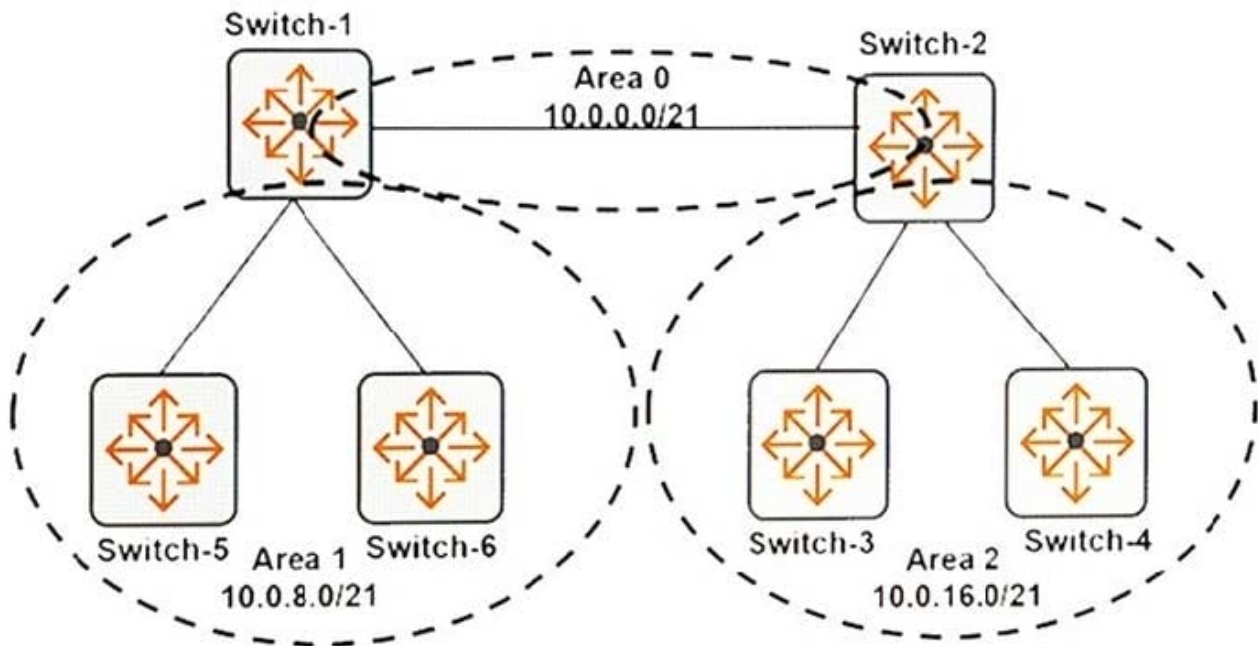
What must the administrator do to correct the error?

- A. Change the port ID on Switch 1 to 50001, so that it is unique from the port ID on Switch-2.
- B. Re-configure the mirror endpoint command on Switch-2 with the IP addresses reversed in order.
- C. Remove the commands and re-enter them on Switch-1 first and then on Switch-2.
- D. Specify the mirror endpoint command in Switch-1 and the mirror 1 remote-ip command on Switch-2.

Correct Answer: B

QUESTION 2

Refer to the exhibit.



The network administrator wants to summarize routes as much as possible in between areas. What is the correct range to specify for the router OSPF Area 2 command on Switch-2?

- A. 10.0.0.0/20
- B. 10.0.0.0/21
- C. 10.0.8.0/21
- D. 10.0.16.0/21

Correct Answer: D

QUESTION 3

An administrator wants to ensure that an AOS-Switch forwards all traffic that it receives on interface 1 with high priority.

-Switches should also communicate the high priority to other switches across the traffic path.

-

The switch has type of service disabled.

-

The administrator plans to apply 802.1p priority 5 to interface 1.

What should the administrator check to ensure that the configuration will work properly?

- A. Interface 1 receives traffic with a tag.
- B. The AOS-Switch is configured to use eight queues.
- C. The forwarding path for the traffic uses VLAN tags.
- D. An 802.1p-to-DSCP map exists for priority 5.

Correct Answer: A

QUESTION 4

Refer to the exhibit.

```
Switch-1# show access-list resources
Resource usage in Policy Enforcement Engine

Ingress Policy Enforcement Engine Rules

Resource usage in Policy Enforcement Engine
```

Ports	Rules		Rules Used						
	Available	ACL	QoS	IDM	VT	Mirr	PBR	OF	Other
1-28	320	3740	0	0	0	0	0	0	10

An AOS-Switch has an extended ACL that is applied to several physical interfaces.

- New interfaces have been brought online.
- The ACL has been applied to them as well.

A network administrator sees the output in the exhibit and is concerned that the switch will reach the limit for rules.

What can the administrator do to address this concern?

- A. Resequence the ACL with less space in between the entries.
- B. Enable ACL grouping, and apply ACLs as shared ACLs.
- C. Reconfigure the ACL as a standard ACL, and then reapply it.
- D. Remove static ACLs, and have the RADIUS server send dynamic ACLs.

Correct Answer: A

QUESTION 5

Refer to the exhibit.

Exhibit 1

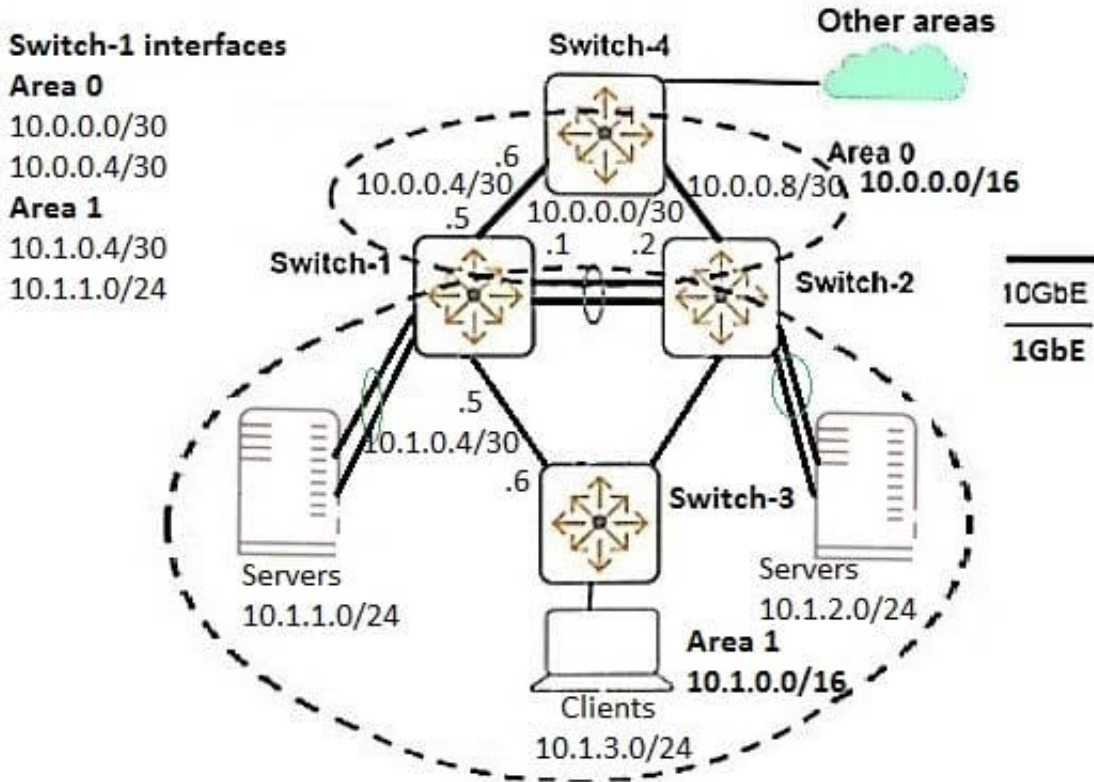


Exhibit 2

Switch-1# show ip route

IP Route Entries

Destination	Gateway	VLAN	Type	Sub-Type	Metric	Dist.
10.0.0.0/30	VLAN1000	1000	connected		5	0
10.0.0.4/30	VLAN1004	1004	connected		10	0
10.0.0.8/30	10.0.0.2	1000	ospf	IntraArea	15	110
10.1.0.4/30	VLAN104	104	connected		100	0
10.1.0.8/30	10.1.0.6	104	ospf	IntraArea	200	110
10.1.0.8/30	10.1.0.6	104	ospf	IntraArea	200	110
10.1.1.0/24	VLAN110	110	connected		50	0
10.1.2.0/24	10.1.0.6	104	ospf	IntraArea	250	110
10.1.3.0/24	10.1.0.6	104	ospf	IntraArea	200	110
10.2.0.0/16	10.0.0.6	1004	ospf	IntraArea	110	110
10.3.0.0/16	10.0.0.6	1004	ospf	IntraArea	110	110
127.0.0.0/8	reject		static		0	0
127.0.0.1/32	lo0		connected		1	0

Switch-1# show ip ospf neighbor

OSPF Neighbor Information

Router ID	Pri	IP Address	NbIfState	State	QLen	Events	Status
2.2.2.2	1	10.0.0.2	BDR	FULL	0	6	None
3.3.3.3	1	10.1.0.6	BDR	FULL	0	6	None
4.4.4.4	1	10.0.0.6	BDR	FULL	0	6	None

Traffic between the servers in Area 1 takes a less optimal path rather than the link associated with VLAN 1000, subnet 10.0.0.0/30.

Based on the exhibits, why is this the case?

- A. The metric on the VLAN 1000 interface is too low
- B. Switch-1 and Switch-2 cannot achieve adjacency on VLAN 1000 due to mismatches
- C. OSPF routing switches choose the best intra area routes based on Area 1 links only
- D. The link between Switch-1 and Switch-2 has gone down

Correct Answer: C