

HPE6-A41^{Q&As}

Applying Aruba Switching Fundamentals for Mobility

Pass HP HPE6-A41 Exam with 100% Guarantee

Free Download Real Questions & Answers **PDF** and **VCE** file from:

<https://www.leads4pass.com/hpe6-a41.html>

100% Passing Guarantee
100% Money Back Assurance

Following Questions and Answers are all new published by HP Official Exam Center

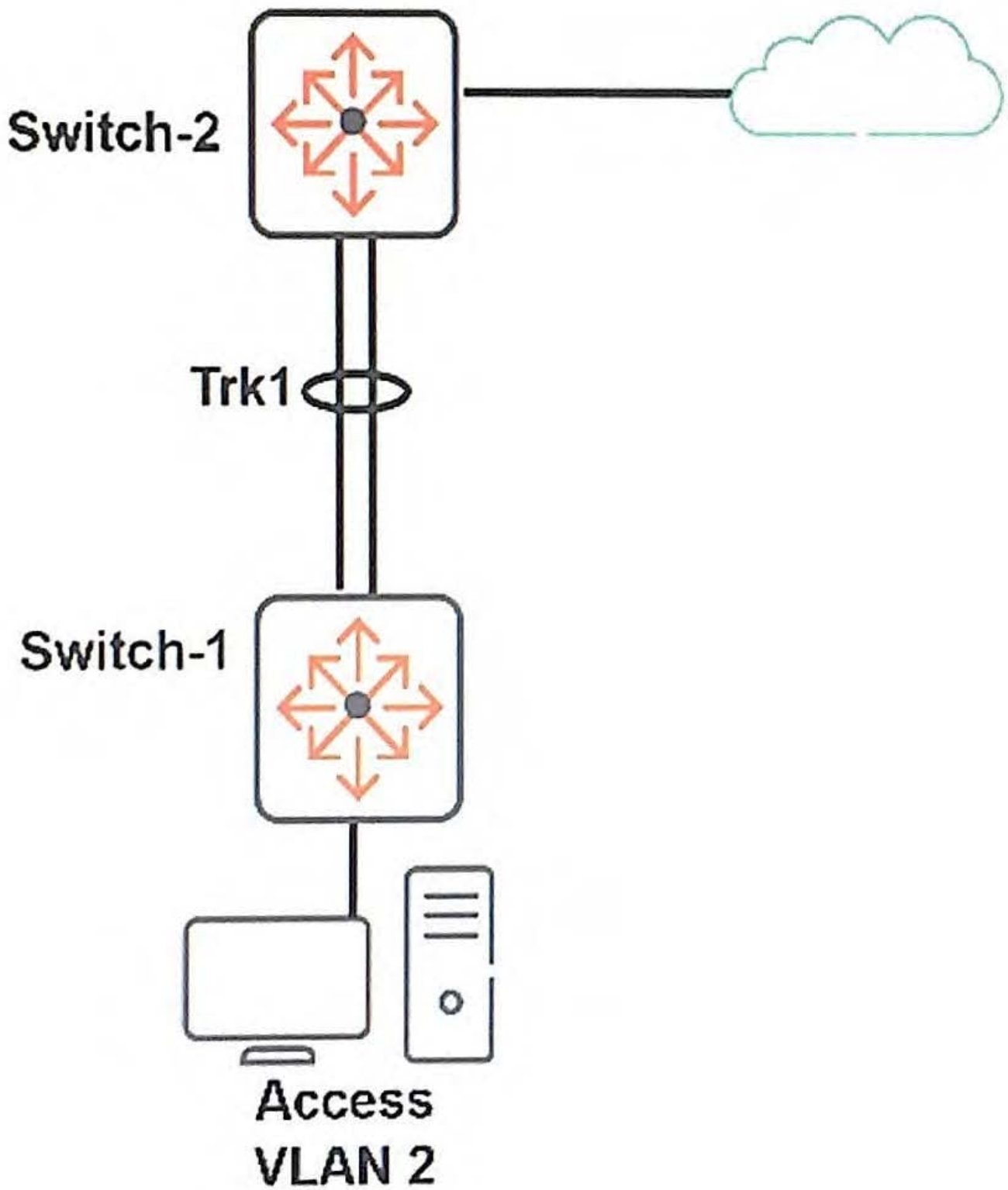
- ⚙️ **Instant Download** After Purchase
- ⚙️ **100% Money Back** Guarantee
- ⚙️ **365 Days** Free Update
- ⚙️ **800,000+** Satisfied Customers



QUESTION 1

Refer to the exhibit.

Exhibit 1. Exhibit 2.



```
#partial running-config for Switch-1

router ospf
  area backbone
  enable
  exit
vlan 1
  name "DEFAULT_VLAN"
  no untagged 1-24,Trk1
  no ip address
  exit
vlan 2
  name "VLAN2"
  untagged 1-24
  ip address 192.168.2.1 255.255.255.0
  exit
vlan 100
  name "VLAN100"
  untagged Trk1
  ip address 192.168.100.3 255.255.255.252
  ip ospf 192.168.100.3 area backbone
  exit
```

Assume that Switch-2 is correctly configured for OSPF.

Which additional step must the administrator take to enable Switch-1 to advertise 192.168.2.0/24 to Switch-2?

- A. Set a router ID on Switch-1.
- B. Configure a route to advertise 192.168.2.0/24 on Switch-1.
- C. Add Switch-2's router ID to Switch-1's OSPF neighbor list.

D. Enable OSPF on VLAN 2.

Correct Answer: D

QUESTION 2

A company requires switches to use MSTP instead of RSTP, so that the switches can forward traffic on more than one switch-to-switch link. How does the administrator set up the solution to meet this requirement?

- A. Set the same spanning tree cost on all redundant links on a switch.
- B. Ensure that switches use the 802.3t standard costs instead of the legacy costs.
- C. Map different VLANs to different instances, and make a different switch root bridge in each instance.
- D. Configure every switch with a unique bridge propriety in the IST, which is also called spanning tree instance 0.

Correct Answer: C

QUESTION 3

Which security benefit does SNMPv3 offer that SNMPv2 does not offer?

- A. SSL encryption
- B. Scopes
- C. Data confidentiality
- D. RADIUS groups

Correct Answer: C

QUESTION 4

Refer to the exhibit.

```
Switch# show ip route
```

IP Route Entries						
Destination	Gateway	VLAN	Type	Sub-Type	Metric	Dist.
192.168.1.4/30	VLAN104	104	connected		1	0
192.168.1.8/30	VLAN108	108	connected		1	0
172.16.2.0/24	192.168.1.5	104	static		1	1
127.0.0.0/8	reject		static		0	0
127.0.0.1/32	lo0		connected		1	0

The network administrator enters this command:

Switch(config)# ip route 172.16.2.0/30 192.168.1.100 metric 1 distance 1

Why does this route fail to appear in the IP routing table?

- A. Its prefix length is invalid.
- B. Its next hop is unreachable.
- C. Its administrative distance is the same as an existing static route.
- D. Its metric is the same as an existing static route.

Correct Answer: B

QUESTION 5

Which technology enables a network administrator to group users by logical function instead of physical location, reduce bandwidth waste by limiting broadcast traffic, and improve security by isolating users at Layer2?

- A. 802.1X
- B. SNMPv3
- C. VLANs
- D. Virtual Switching Framework (VSF)

Correct Answer: D

[Latest HPE6-A41 Dumps](#)

[HPE6-A41 Study Guide](#)

[HPE6-A41 Braindumps](#)