

# HPE6-A41<sup>Q&As</sup>

Applying Aruba Switching Fundamentals for Mobility

## Pass HP HPE6-A41 Exam with 100% Guarantee

Free Download Real Questions & Answers **PDF** and **VCE** file from:

<https://www.leads4pass.com/hpe6-a41.html>

100% Passing Guarantee  
100% Money Back Assurance

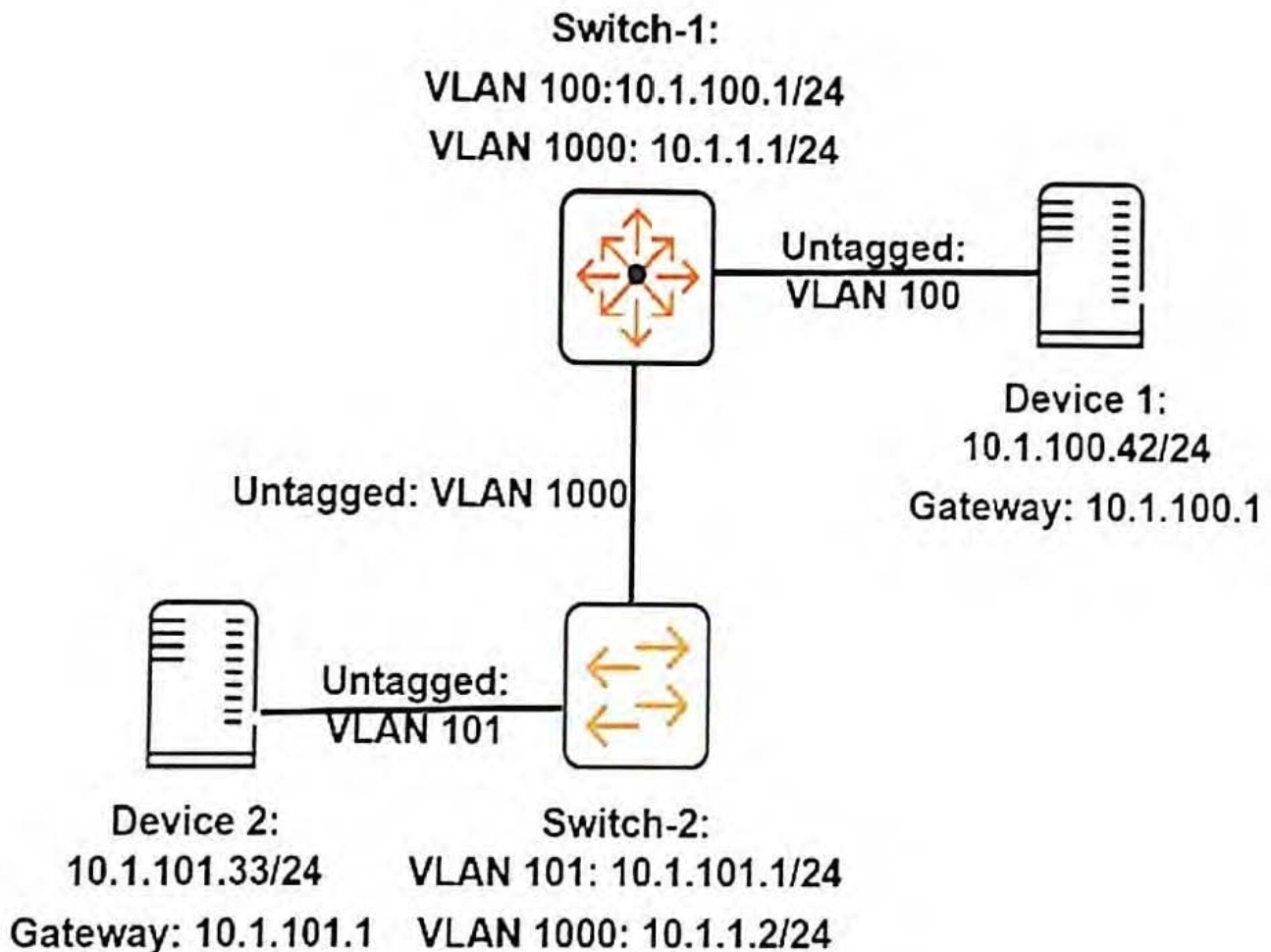
Following Questions and Answers are all new published by HP Official Exam Center

- ⚙️ **Instant Download** After Purchase
- ⚙️ **100% Money Back** Guarantee
- ⚙️ **365 Days** Free Update
- ⚙️ **800,000+** Satisfied Customers



## QUESTION 1

Refer to the exhibit.



A network administrator executes this command on an ArubaOS switch, Switch-2:

```
Switch-2(config)# ip route 10.1.100.0/24 10.1.1.1
```

The administrator successfully pings Device 1 at 10.1.100.42 from Switch-2. However, Device 2 cannot ping Device 1.

The administrator confirms that Device 1 is correctly set up.

What should the administrator check on Switch-2 to resolve this issue?

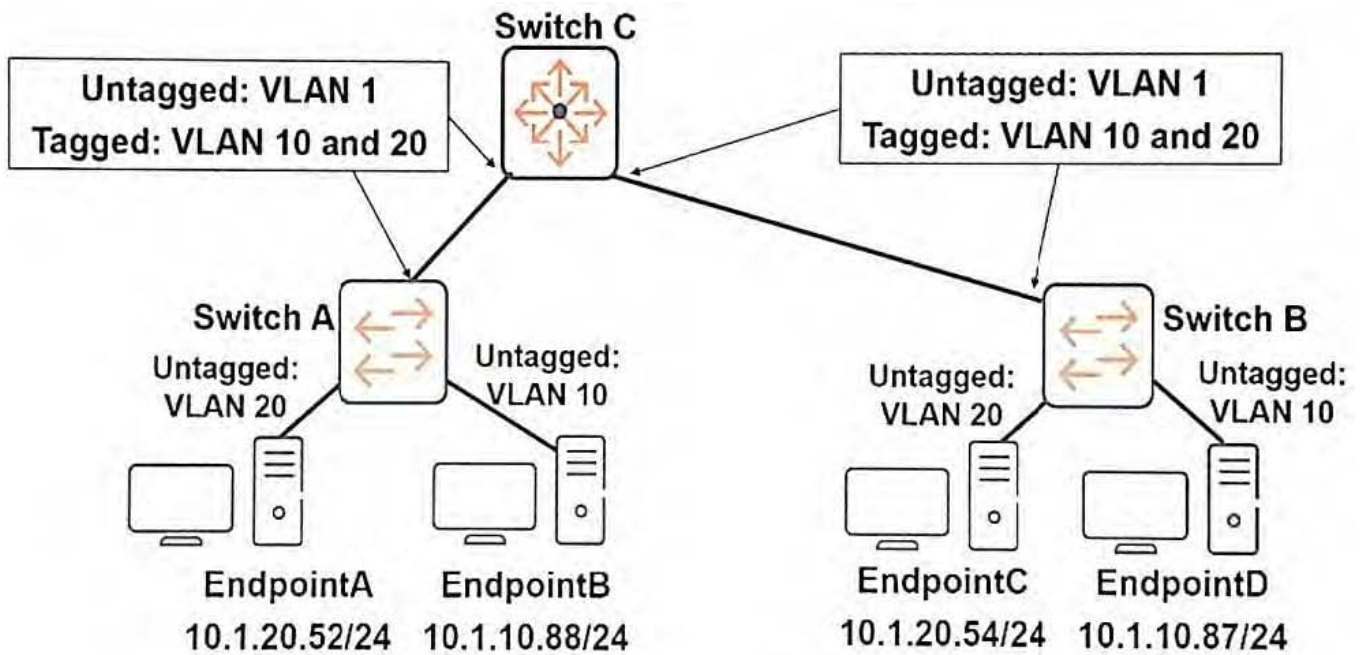
- A. that ARP proxy is enabled
- B. that IP routing is enabled
- C. that spanning tree is disabled

D. that ICMP is enabled

Correct Answer: B

**QUESTION 2**

Refer to the exhibit.



Endpoint A sends broadcast ARP requests.

Where are these requests received?

- A. at EndpointC
- B. at EndpointB
- C. at EndpointB, at EndpointC, and at EndpointD
- D. at EndpointB and at EndpointC

Correct Answer: A

**QUESTION 3**

Why would a network administrator use strict provisioning to configure the standby member in a Virtual Switching Framework (VSF) fabric?

- A. The network administrator wants to control which device can join the VSF fabric.
- B. The network administrator needs to configure the correct domain ID on the standby member before this member joins the VSF fabric.

C. The network administrator wants to ensure the standby member is configured with the same settings as the commander.

D. The network administrator does not know the MAC address of the standby member.

Correct Answer: A

---

**QUESTION 4**

A network administrator wants to download a configuration from an ArubaOS switch. The administrator does not have local access to the switch and wants to copy the configuration in a secure manner that prevents eavesdroppers from reading the configuration. Which two options can the administrator use to copy the configuration?

A. SFTP and HTTPS

B. ZModem and SFTP

C. HTTPS and TFTP

D. HTTPS and ZModem

Correct Answer: A

---

**QUESTION 5**

Refer to the exhibit.

Exhibit 1.

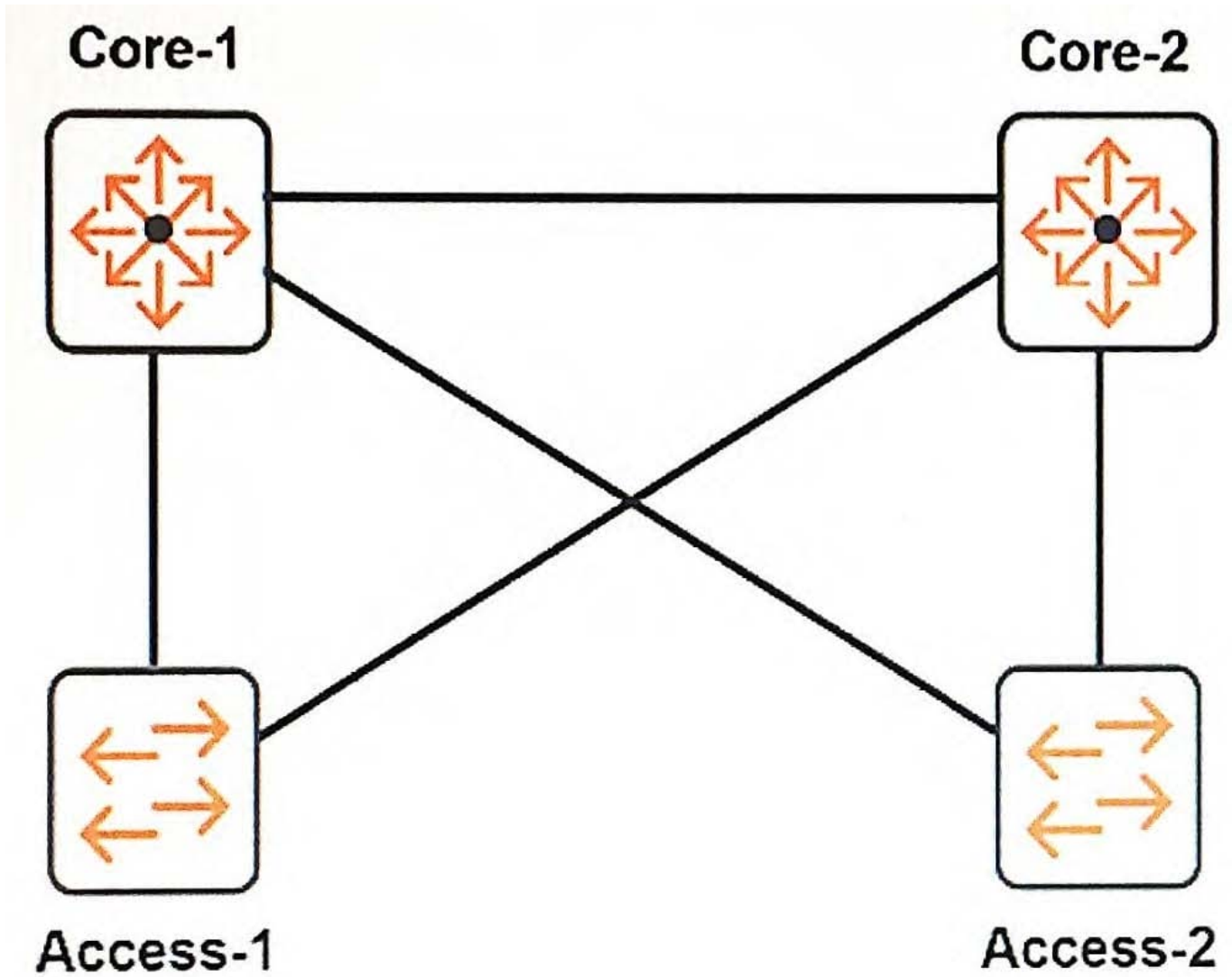


Exhibit 2. Exhibit 3. How many MSTP regions exist in the topology shown in the exhibit?

Core-1# show spanning-tree mst-config

MST Configuration Identifier Information

MST Configuration Name : exam  
MST Configuration Revision : 1  
MST Configuration Digest : 0xF92468D366CF3C647EB33C03B166AD59

IST Mapped VLANs : 1-9,30-4094

Instance ID Mapped VLANs

-----  
1            10-19  
2            20-29

Core-2# show spanning-tree mst-config

MST Configuration Identifier Information

MST Configuration Name : exam  
MST Configuration Revision : 0  
MST Configuration Digest : 0xF92468D366CF3C647EB33C03B166AD59

IST Mapped VLANs : 1-9,30-4094

Instance ID Mapped VLANs

-----  
1            10-19  
2            20-29



```
Access-1# show spanning-tree mst-config
```

```
MST Configuration Identifier Information
```

```
MST Configuration Name : Access-1
```

```
MST Configuration Revision : 1
```

```
MST Configuration Digest : 0xF92468D366CF3C647EB33C03B166AD59
```

```
IST Mapped VLANs : 1-9,30-4094
```

```
Instance ID Mapped VLANs
```

```
-----  
1          10-19
```

```
2          20-29
```

```
Access-2# show spanning-tree mst-config
```

```
MST Configuration Identifier Information
```

```
MST Configuration Name : exam
```

```
MST Configuration Revision : 1
```

```
MST Configuration Digest : 0x483AAD884DAE97827C26B3C21DF64E1E
```

```
IST Mapped VLANs : 1-9,11-18,21-28,30-4094
```

```
Instance ID Mapped VLANs
```

```
-----  
1          10,19
```

```
2          20,29
```

- A. one
- B. two
- C. three
- D. four

Correct Answer: B

[HPE6-A41 PDF Dumps](#)

[HPE6-A41 VCE Dumps](#)

[HPE6-A41 Exam Questions](#)