

HP0-Y51^{Q&As}

Building HP SDN and FlexNetwork Solutions

Pass HP HP0-Y51 Exam with 100% Guarantee

Free Download Real Questions & Answers **PDF** and **VCE** file from:

<https://www.leads4pass.com/hp0-y51.html>

100% Passing Guarantee
100% Money Back Assurance

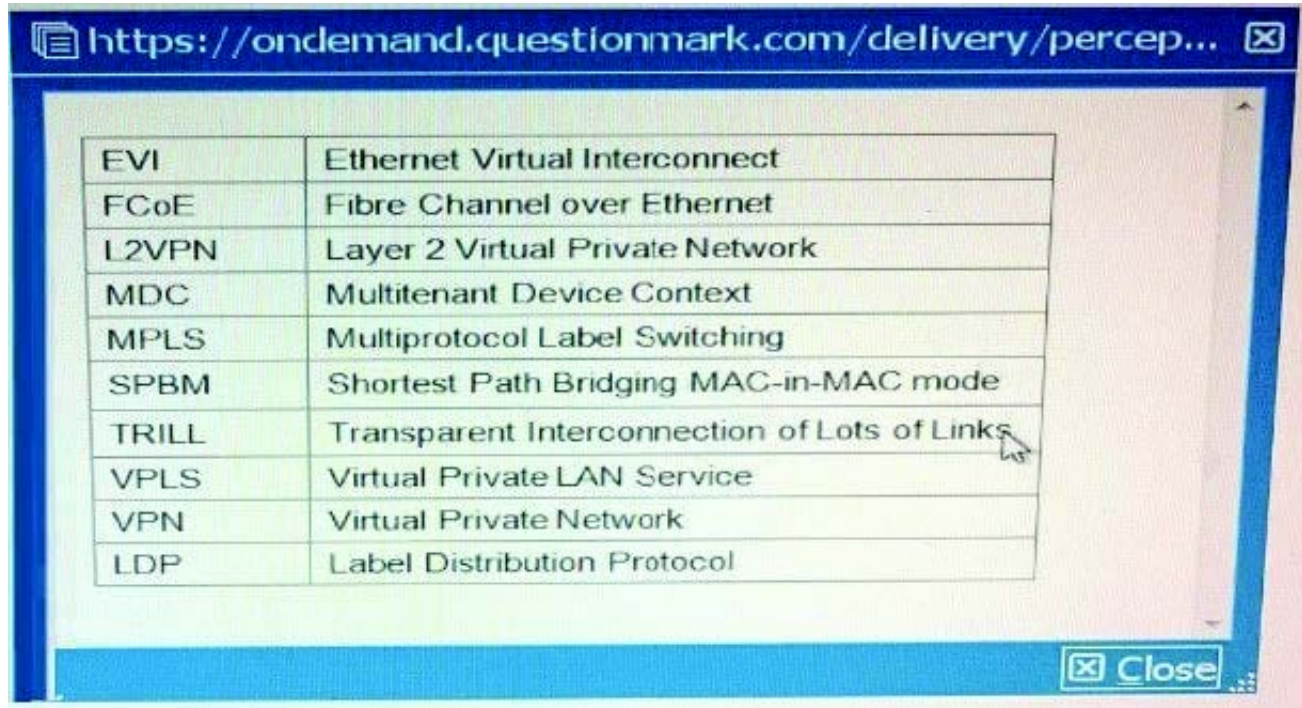
Following Questions and Answers are all new published by HP Official Exam Center

-  **Instant Download** After Purchase
-  **100% Money Back** Guarantee
-  **365 Days** Free Update
-  **800,000+** Satisfied Customers



QUESTION 1

Table of Acronyms



EVI	Ethernet Virtual Interconnect
FCoE	Fibre Channel over Ethernet
L2VPN	Layer 2 Virtual Private Network
MDC	Multitenant Device Context
MPLS	Multiprotocol Label Switching
SPBM	Shortest Path Bridging MAC-in-MAC mode
TRILL	Transparent Interconnection of Lots of Links
VPLS	Virtual Private LAN Service
VPN	Virtual Private Network
LDP	Label Distribution Protocol

An HP Comware switch is configured with the MDC feature. It has three MDCs, which use the same CPU and are assigned these CPU weights:

MDC 1 = 10

MDC 2 = 4

DC 3 = 2

Currently:

MDC 1 needs to use 25 percent of the CPU resources.

MDC 2 needs to use 60 percent of the CPU resources.

MDC 3 needs to use 60 percent of the CPU resources.

Approximately what percentage of the CPU does each MDC receive while at the current CPU request rates?

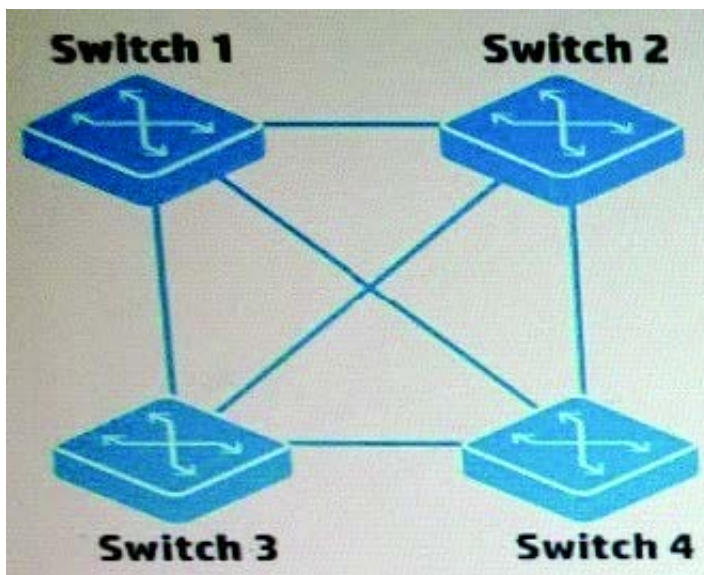
- A. MDC 1 = 25 percent, MDC 2 = 50 percent, and MDC 3 = 25 percent
- B. MDC 1 = 63 percent, MDC 2 = 25 percent, and MDC 3 = 12 percent
- C. MDC 1 = 10 percent. MDC 2 = 4 percent, and MDC 3 = 2 percent
- D. MDC 1 = 25 percent. MDC 2 = 25 percent, and MDC 3 = 12 percent

Correct Answer: B

Reference: <http://h10032.www1.hp.com/ctg/Manual/c03595099> (page 209, see `specifying a CPU weight for an MDC\')

QUESTION 2

Refer to the exhibit.



The switches shown in the exhibit use the HP VAN SDN Controller as the OpenFlow controller. They connect to the controller on their out-of-band management (OOBM) ports, but these connections are not shown in the exhibit. The switches also run spanning tree protocol. An SDN application installed on the HP VAN SDN Controller is programmed to discover live ports, find redundant paths, and create loopfree paths for traffic infrastructure shown in the exhibit. However the application is not able to complete these functions because the switches are reporting some ports as blocked.

What should the administrator do to let the application create the loopfree paths?

- A. Disable spanning tree on the OpenFlow-enabled switches and do not configure link aggregation.
- B. Enable spanning tree on the OpenFlow-enabled switches but set the application as the spanning tree flood parameter controller.
- C. Enable spanning tree on the OpenFlow-enabled switches and configure all of the redundant links as egress-only-ports
- D. Disable spanning tree on the OpenFlow-enabled switches and configure the redundant links as static link aggregations

Correct Answer: D

QUESTION 3

Refer to the exhibit.

```
zoneset name zoneset1
  member 1
  member 2
  active
zoneset name zoneset2
  member 3
  member 4

zone name 1
  member zone-alias pwwn1
  member zone-alias pwwn2
  member zone-alias pwwn3
  member zone-alias pwwn4

zone name 2
  member zone-alias pwwn5
  member zone-alias pwwn6
  member zone-alias pwwn7

zone name 3
  member zone-alias pwwn8
  member zone-alias pwwn9
  member zone-alias pwwn10

zone name 4
  member zone-alias pwwn11
  member zone-alias pwwn12
  member zone-alias pwwn13
```

The exhibit shows the Fibre Channel (FQ) zones that are members of zonesets on an HP Comware switch. How does this zoning affect the FC fabric operation?

- A. Host bus adapter (HBA) pWWNs in zoneset 1 belong to VSAN 1, which is currently active. HBA pWWNs in zoneset 2 belong to VSAN 2, which is inactive
- B. Server pWWNs in zone 1 can discover targets pWWNs in zone 2. Server pWWNs in zone 3 can discover target pWWNs in zone 4.
- C. A sender pWWN in zone 1 can discover target pWWNs in zone 1. A server pWWN in zone 2 can discover target pWWNs in zone 2.
- D. The switch matches a host bus adapter (HBA) pWWN to entries in zone 1 to determine whether an HBA can connect to a port. If it does not find a match, it checks zone 2.

Correct Answer: D

QUESTION 4

A large shopping center has an HP BYOD solution with these requirements:

User Access Manager (UAM) should provide the portal in which guests register their own accounts.

Guests should only have to register and log in once. After that, the guest device automatically logs in by MAC address.

Each shop has its own SSID.

The administrator wants UAM to display a custom portal page to users based on the SSID to which they connect. What is the proper way to configure this solution?

- A. In the guest access service, bind different SSIDs to different portal pages.
- B. In the global guest registration settings, add an SSID map, which binds SSIDs to portal pages.
- C. In the access service assigned to the BYOD Anonymous account, bind different SSIDs to different portal pages.
- D. In the global portal settings, add an SSID map, which binds SSIDs to portal pages.

Correct Answer: D

QUESTION 5

HP Unified Wired-Wireless controllers support wireless Intrusion Detection System (IDS)/intrusion prevention system (IPS) features. An HP AP radio is configured to participate in this solution in hybrid mode. Which functions can the hybrid mode radio fulfill?

- A. Can support wireless clients and scan wireless traffic.
- B. It can support wireless clients, scan wireless traffic, and implement countermeasures
- C. It can implement countermeasures and scan wireless traffic.
- D. It can scan wireless traffic and wired traffic.

Correct Answer: C

[HP0-Y51 PDF Dumps](#)

[HP0-Y51 Practice Test](#)

[HP0-Y51 Exam Questions](#)