

EX0-104^{Q&As}

TMap Next Foundation

Pass EXIN EX0-104 Exam with 100% Guarantee

Free Download Real Questions & Answers **PDF** and **VCE** file from:

<https://www.leads4pass.com/ex0-104.html>

100% Passing Guarantee
100% Money Back Assurance

Following Questions and Answers are all new published by EXIN
Official Exam Center

-  **Instant Download** After Purchase
-  **100% Money Back** Guarantee
-  **365 Days** Free Update
-  **800,000+** Satisfied Customers



QUESTION 1

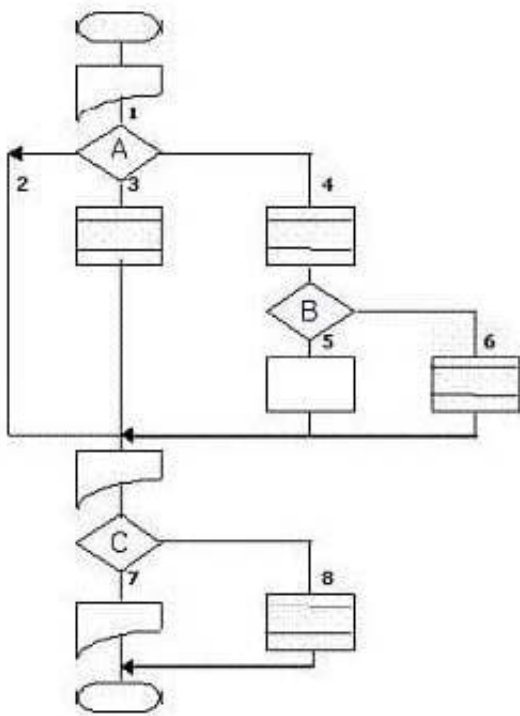
What is the correct description of the term est level?

- A. the information that defines the required system behavior
- B. a group of test activities with the attention of checking the information system in respect of a number of correlated (part aspects of) quality characteristics
- C. a group of test activities that are managed and executed collectively

Correct Answer: C

QUESTION 2

See the procedure flow below:



How many test situations are produced when the coverage type paths with test depth level 2 is used?

- A. 3
- B. 8
- C. 12
- D. 13

Correct Answer: D

QUESTION 3

See the specification below:

```
IF          Dutch telephone number AND telephone number does not contain 10 digits
THEN       error message
ENDIF
```

How many logical test cases can be generated if a semantic test using the coverage type decision points modified condition/decision coverage is used?

- A. 1
- B. 2
- C. 3
- D. 4

Correct Answer: C

QUESTION 4

What is an advantage of the BDTM approach?

- A. a test process that can be controlled by the client
- B. a cheaper test process
- C. a risk-free production launch of the tested system

Correct Answer: A

QUESTION 5

See the decision and test situations below: $R = (A \text{ AND } B) \text{ OR } C$

1.A=false	B=true	C=false
2.A=false	B=true	C=false
3.A=true	B=true	C=false

Which test situation is missing if the coverage type decision points modified condition/decision coverage is used?

A. A=true B=true C=true

B. A=true B= false C= false

A. Option A

B. Option B

Correct Answer: B

[Latest EX0-104 Dumps](#)

[EX0-104 VCE Dumps](#)

[EX0-104 Practice Test](#)