

## E20-690<sup>Q&As</sup>

VNX Solutions Specialist Exam for Platform Engineers

**Pass EMC E20-690 Exam with 100% Guarantee**

Free Download Real Questions & Answers **PDF** and **VCE** file from:

<https://www.leads4pass.com/e20-690.html>

100% Passing Guarantee  
100% Money Back Assurance

Following Questions and Answers are all new published by EMC  
Official Exam Center

-  **Instant Download** After Purchase
-  **100% Money Back** Guarantee
-  **365 Days** Free Update
-  **800,000+** Satisfied Customers



**QUESTION 1**

Refer to the exhibit.

You are onsite to replace a faulted Data Mover within a VNX8000 and note the following:

The storage administrators have received alerts that Server\_6 has faulted but Server\_6 now appears online.

Server\_3 is configured as a standby for Server\_2

Server\_7 is configured as a standby for Server\_6

Which slot in the diagram contains the active data mover Server\_6?

- A. Server\_7
- B. Server\_6
- C. Server\_2
- D. Server\_3

Correct Answer: A

---

**QUESTION 2**

In Unisphere under System > Monitoring and Alerts, how do you determine current system health?

- A. In the Monitoring task pane, click the Storage System Connectivity Status link
- B. In the Monitoring task pane, click the Trespass LUN Status link
- C. In the Monitoring task pane, click the Fault Status Report link
- D. In the Monitoring and Alerts section, click the Alerts

Correct Answer: C

---

**QUESTION 3**

You are about to perform a NDU in a customer environment containing several hosts running Veritas DPM. What should be done to ensure the host paths are maintained after the secondary SP has rebooted?

- A. Increase the NDU delay time.
- B. Decrease the NDU delay time.
- C. Disable DMP on the host before performing the NDU.
- D. Run the NDU in engineering mode to skip the NDU delay option.

Correct Answer: A

**QUESTION 4**

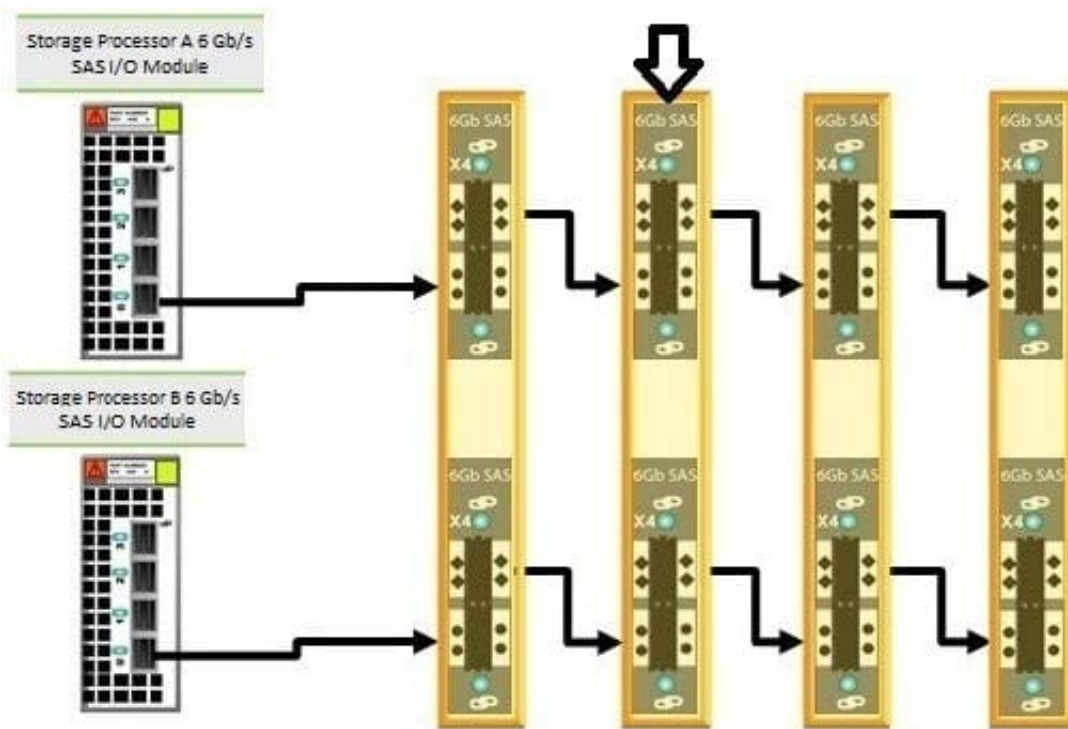
What is a valid explanation for a single port on a 6 Gb SAS I/O module whose status light is OFF?

- A. The connected LCC has faulted.
- B. There is no transmit light in the optical cable.
- C. There is a failed disk in the enclosure.
- D. The SP is performing zero disk.

Correct Answer: A

**QUESTION 5**

Refer to the exhibit.



In an original balanced cabling configuration of a VNX5400, what is the enclosure number to which the large arrow at the top of the diagram is pointing?

- A. 1
- B. 0

C. 2

D. 3

Correct Answer: A

[Latest E20-690 Dumps](#)

[E20-690 VCE Dumps](#)

[E20-690 Practice Test](#)